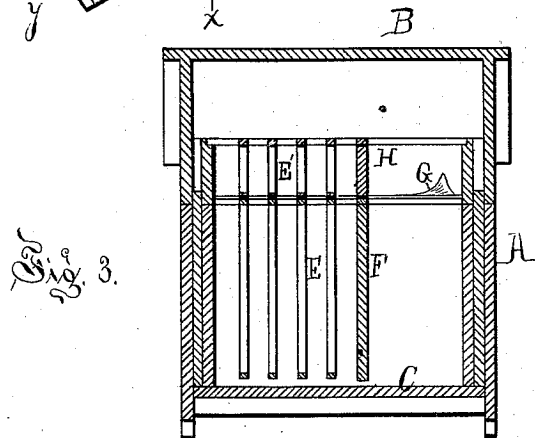
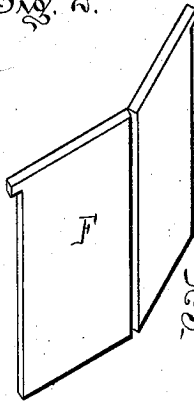
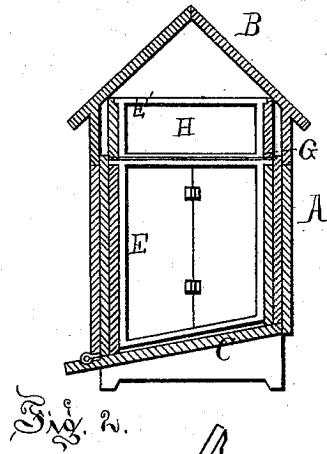
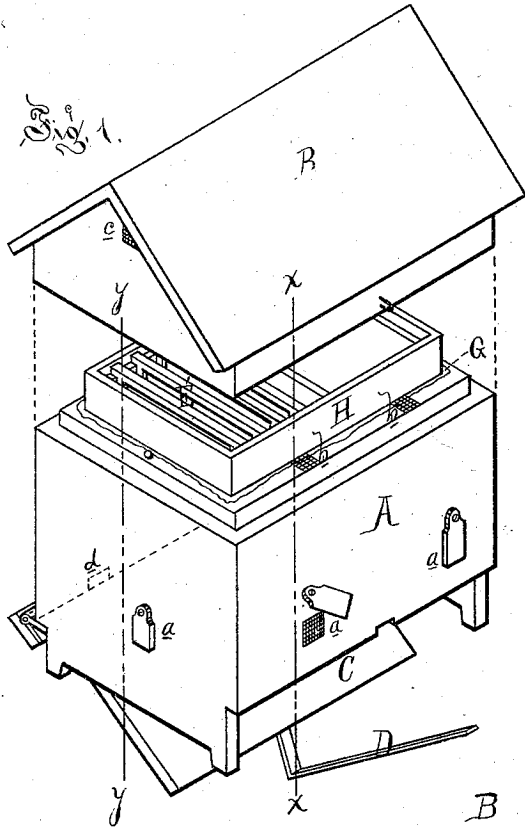


M. POTTER & S. H. BARNEBEE.
BEE-HIVES.

No. 194,048.

Patented Aug. 14, 1877.



Attest:
H. L. Aulls
Chas. J. Hunt.

Inventor:
M. Potter
S. H. Barnebee
By atty
Thos. S. Sprague

UNITED STATES PATENT OFFICE.

MORTON POTTER AND STEPHEN H. BARNEBEE, OF MENDON, MICHIGAN.

IMPROVEMENT IN BEE-HIVES.

Specification forming part of Letters Patent No. **194,048**, dated August 14, 1877; application filed May 25, 1877.

To all whom it may concern:

Be it known that we, MORTON POTTER and STEPHEN H. BARNEBEE, of Mendon, in the county of St. Joseph and State of Michigan, have invented an Improvement in Bee-Hives, of which the following is a specification:

Our invention relates to an improvement in bee-hives of that class that are provided with movable comb-frames in the body of the hive and in a cap-box; and it consists in the novel and peculiar construction of the various parts in the combination, as more fully hereinafter set forth.

Figure 1 is a rear perspective view, with the top raised and the bottom dropped. Fig. 2 is a cross-section at $x x$. Fig. 3 is a longitudinal vertical section at $y y$. Fig. 4 is a perspective view of the hinged division-board.

In the drawing, A represents the body of the hive, made with double or hollow walls, the parting-strip at their top projecting above them for the hipped cap B to shut down over. Currents of air enter the lower outer walls at apertures a , screened and provided with covers to close them. The air-currents rise from the body, through apertures b , into the cap, from whose gables they finally issue through screened outlets c , thereby keeping the interior of the hive during warm weather from

becoming so warm as to melt down the combs. The outlets c , in connection with the entrances d , serve to ventilate the hive. C is the bottom board, inclined to the front, with a projecting ledge for an alighting-board. It is hinged to the lower edge of the front wall, and is held up at the rear by a hasp, D, which also secures the cap by its staple. E are the comb-frames, which are separated from the brood-chamber by a partition, F, made in two parts, and hinged together, so as to be fastened in place by springing its halves into a right line against the walls, as shown. G is a cloth apron, separating, when desired, the hive from the cap. H is a cap-box, resting on the comb-frames E, and is itself provided with similar frames E' and a division-board, to divide them off from the open part in case the box is not filled with frames.

What we claim as our invention is—

The double-walled hive A and its cap B, provided with ventilators $a b c$, the hinged bottom C, the hasp D, and the hinged partition F', all constructed and combined in the manner and for the purpose set forth.

MORTON POTTER.

STEPHEN HENRY BARNEBEE.

Witnesses:

R. E. FLETCHER,

D. W. EMBLEY.