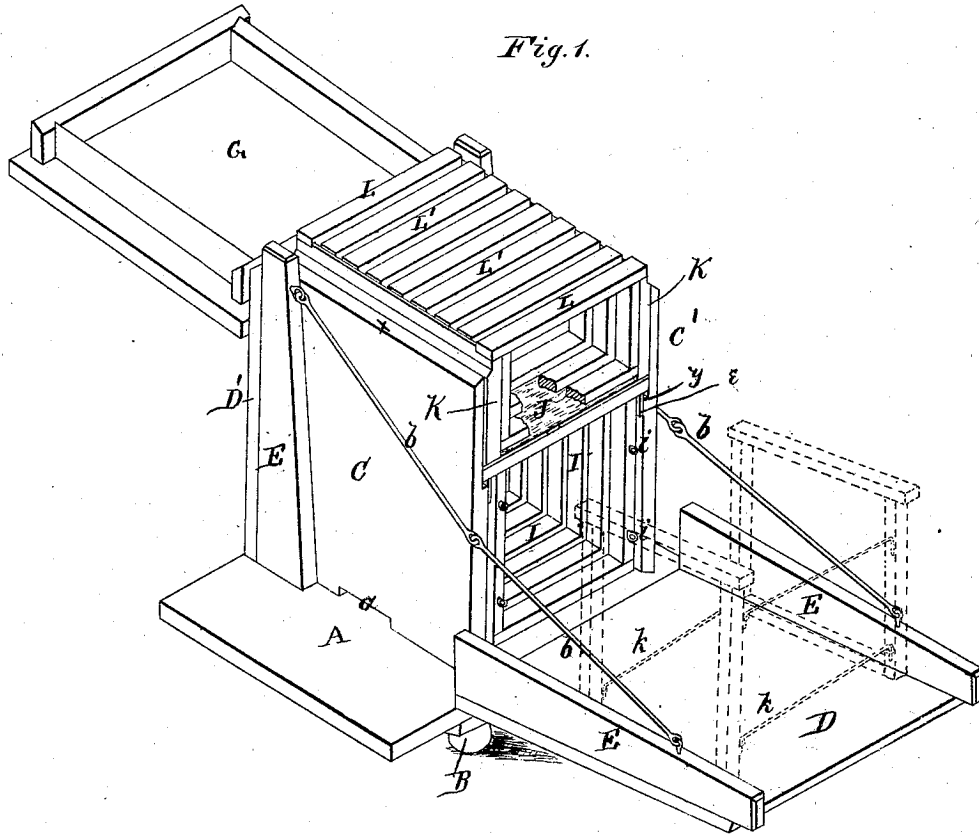


I. M. WRIGHT.
Bee-Hive.

No. 198,175.

Patented Dec. 11, 1877



WITNESSES

Henry N. Miller
Wm. Galt

INVENTOR

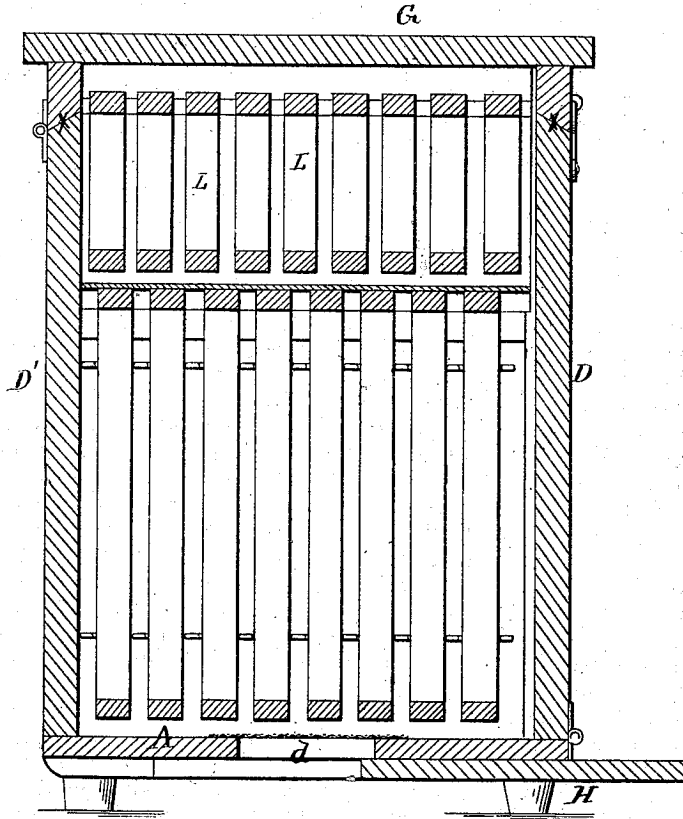
I. M. Wright,
Alexander Mason
ATTORNEYS

I. M. WRIGHT.
Bee-Hive.

No. 198,175.

Patented Dec. 11, 1877

Fig. 2.



WITNESSES

Henry N. Miller
Frank Galt

INVENTOR

I. M. Wright.
Alexander Thason
ATTORNEYS

UNITED STATES PATENT OFFICE.

IVEN M. WRIGHT, OF LITCHFIELD, ILLINOIS.

IMPROVEMENT IN BEE-HIVES.

Specification forming part of Letters Patent No. **198,175**, dated December 11, 1877; application filed September 27, 1877.

To all whom it may concern:

Be it known that I, IVEN M. WRIGHT, of Litchfield, in the county of Montgomery and in the State of Illinois, have invented certain new and useful Improvements in Bee-Hives; and do hereby declare that the following is a full, clear, and exact description thereof, reference being had to the accompanying drawings, and to the letters of reference marked thereon, making a part of this specification.

The nature of my invention consists in the construction and arrangement of a bee-hive, as will be hereinafter more fully set forth.

In order to enable others skilled in the art to which my invention appertains to make and use the same, I will now proceed to describe its construction and operation, referring to the annexed drawings, in which—

Figure 1 is a perspective view of my improved bee-hive opened, and Fig. 2 is a central vertical section of the same closed.

A represents the bottom of the hive, supported upon legs or feet B B. C is the front, with bee-entrance *a*, the bottom A projecting beyond the same to form the alighting-board. C' is the back, and D' one side, of the hive, all of which are permanently secured to the bottom A. D is the other side, which is hinged to the bottom A and forms a door, to be let down in horizontal position, as shown in Fig. 1.

The sides D and D' are both provided with side cleats E, which overlap the front and back of the hive, to make the joints air and water tight.

When the side or door D is let down, it is held in proper position by jointed rods *b b*, connecting it with the side D' of the hive, said rods, when the door D is closed, hanging loosely down at the front and rear of the hive.

In the bottom A is a ventilating-opening, *d*, covered with wire-cloth, and provided underneath with a slide, H, for closing and partially or entirely opening the same, as desired.

The top cap G of the hive is hinged to the side D', and closes by beveled joints *x x* over the edges of the front and back C C' and door D, as shown, and is fastened by a hook or other suitable fastening.

At a suitable distance above the bottom A, on the inner sides of the front and back C C', are made horizontal offsets *y y*, as shown in Fig. 1, and metal strips *e e* are fastened at said offsets to form supports for the comb-frames I I of the brood-chamber, said frames being, on the edges of their side bars, provided with screw-eyes *i i*, to keep the frames the proper distances apart.

These eyes also serve another purpose, as follows: In manipulating and examining the progress of the bees, it is often necessary to remove the comb-frames from the hive. I lower the door D and place two inside frames, one at each side of the door, and connect the same by hooks *k k*, fastened in the screw-eyes *i*, as shown by dotted lines in Fig. 1, thus forming a rack, upon which the other frames may be hung as required.

On top of the frames I is laid a cloth or pad, J, to prevent access to the top part of the hive; or when such access is required, more or less of the cloth or pad may be rolled up at either or both ends.

The honey-case, at the top, is composed of two side pieces, K K, connected at the ends by two frames, L L, permanently attached to them; and between these two frames is a series of loose frames, L', so that any one or more frames can be removed, or the whole case at one time, if so desired.

I am aware that a bee-hive having a front hinged at its lower end and a hinged cover is not new, and I do not, therefore, claim such, broadly, as my invention.

Having thus fully described my invention, what I claim as new, and desire to secure by Letters Patent, is—

The combination, with the body of the hive, of the hinged side D, having cleats E, and the rods *b*, arranged substantially as shown, for the purposes set forth.

In testimony that I claim the foregoing I have hereunto set my hand this 11th day of September, 1877.

IVEN M. WRIGHT.

Witnesses:

DAVID HELMICK,
WILLIAM HELMICK.