

J. W. PARK.
Bee-Hive.

No. 200,931.

Patented March 5, 1878.

Fig. 2.

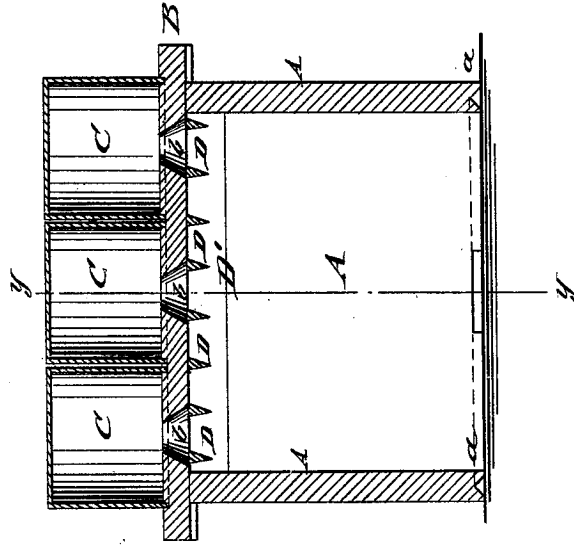
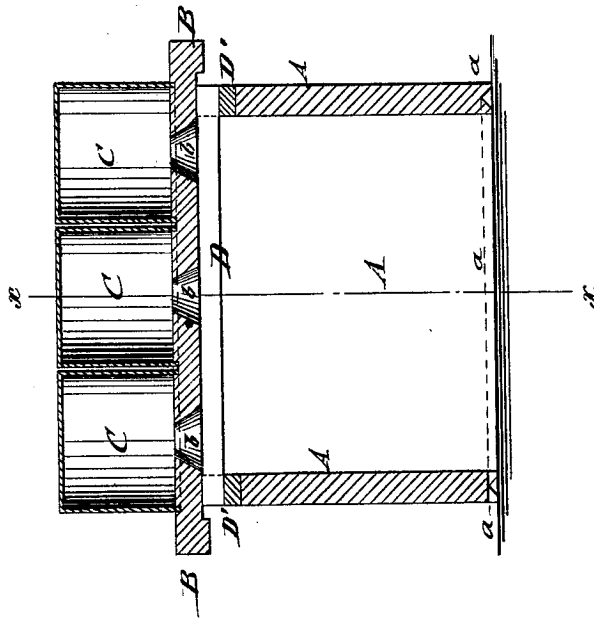


Fig. 1.



WITNESSES:

H. Rydquist
J. H. Scarborough.

INVENTOR:

J. W. Park.
BY *Munster*

ATTORNEYS.

J. W. PARK.
Bee-Hive.

No. 200,931.

Patented March 5, 1878.

Fig. 2.

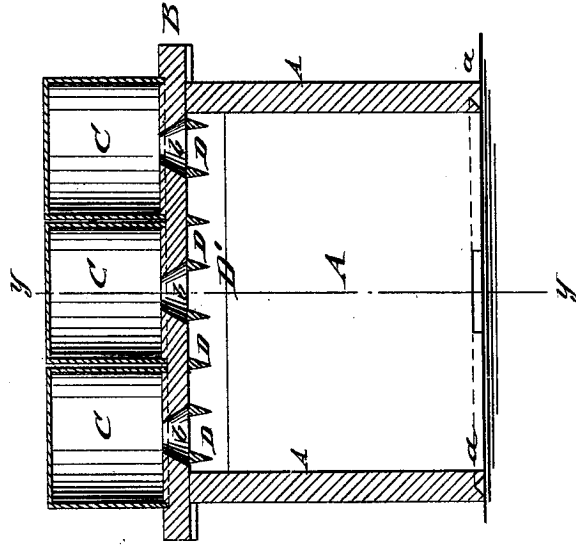
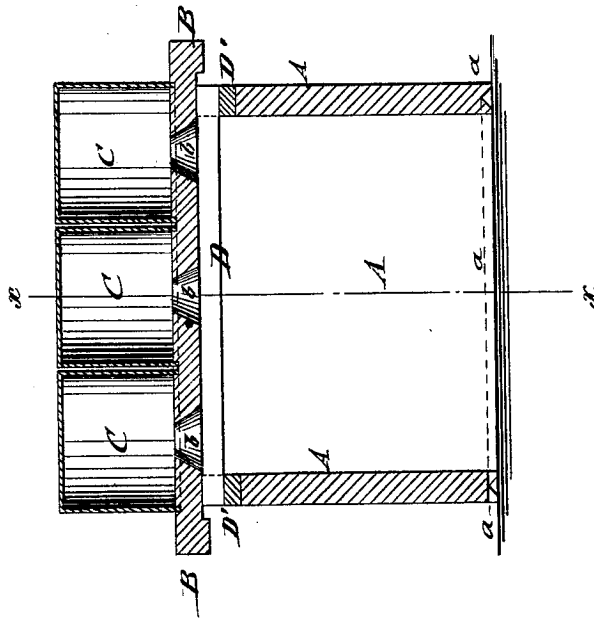


Fig. 1.



WITNESSES:

H. Rydquist
J. H. Scarborough.

INVENTOR:

J. W. Park.
BY *Munster*

ATTORNEYS.