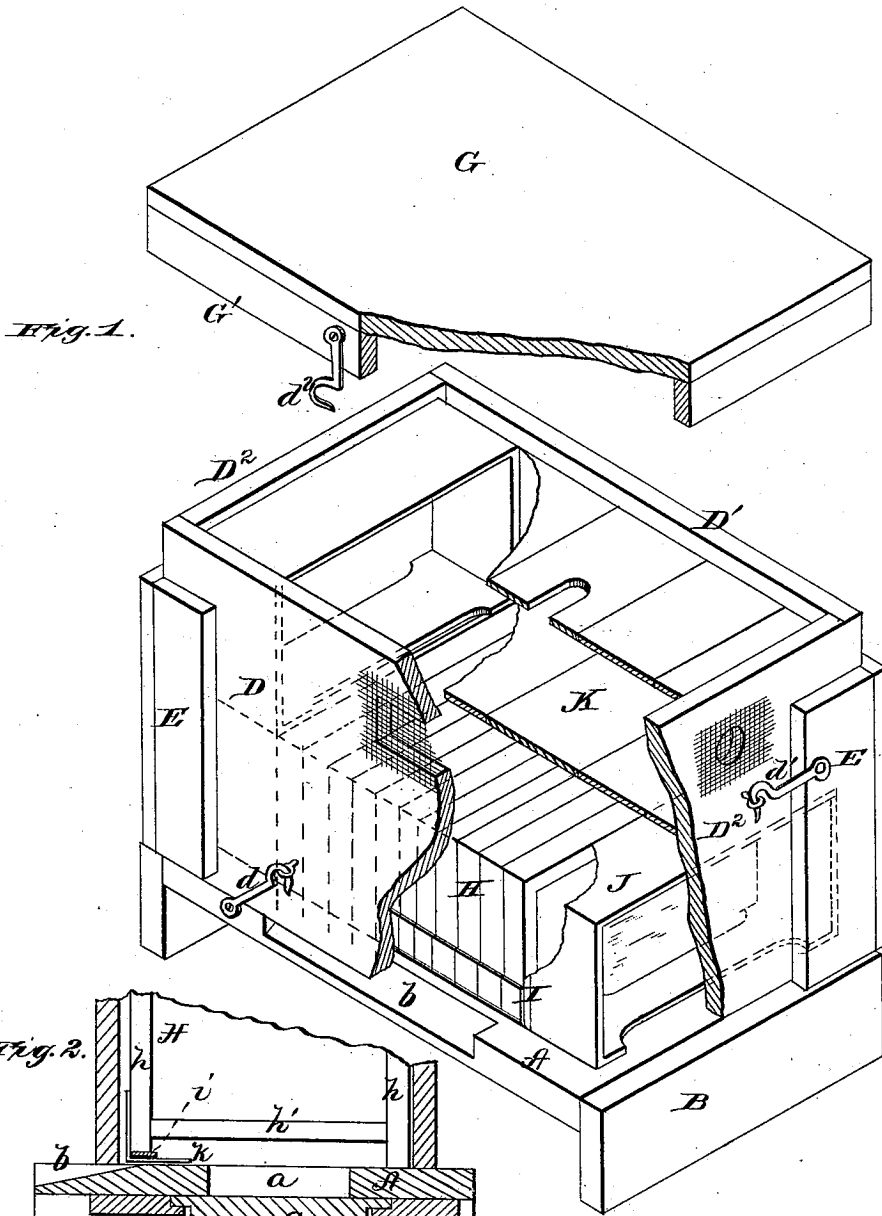


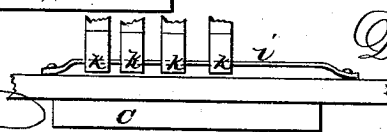
D. P. MILLER.
Bee-Hive.

No. 202,569.

Patented April 16, 1878.



WITNESSES
Frank L. Curran
Frank L. Curran



INVENTOR
David P. Miller
Harold H. H. H.
 ATTORNEYS

UNITED STATES PATENT OFFICE.

DAVID P. MILLER, OF LODI, NEW YORK.

IMPROVEMENT IN BEE-HIVES.

Specification forming part of Letters Patent No. 202,569, registered April 16, 1878; application filed January 16, 1878.

To all whom it may concern:

Be it known that I, DAVID P. MILLER, of Lodi, in the county of Seneca, and in the State of New York, have invented certain new and useful Improvements in Bee-Hives; and do hereby declare that the following is a full, clear, and exact description thereof, reference being had to the accompanying drawings, and to the letters of reference marked thereon, making a part of this specification.

The nature of my invention consists in the construction and arrangement of a bee-hive, as will be hereinafter more fully set forth.

In order to enable others skilled in the art to which my invention appertains to make and use the same, I will now proceed to describe its construction and operation, referring to the annexed drawings, in which—

Figure 1 is a perspective view of my bee-hive, with the top lifted off and the front and one end broken to show the interior. Fig. 2 is a detailed section of a part thereof.

A represents the base of the hive, supported at each end by a cross-bar, B, so as to elevate the base a suitable distance. In the center of the base A is an opening, *a*, closed by means of a slide, C, underneath, for convenience in cleaning out the hive. In the front edge of the base A is cut out the bee-entrance *b*, as shown in Fig. 1.

D is the front, D¹ the back, and D² D² the end pieces of the hive, they being made entirely separate, and disconnected from each other and from the base.

The front and back are connected to the base A by means of hooks *d*, and said front and back are at their ends provided with angle or corner pieces E E, to which the end-pieces D² are connected by hooks *d*¹.

By this construction the hive can be easily and quickly taken down for cleaning, and also be packed in small compass for transportation.

G is the lid or cover, provided around its

edges with a flange or rim, G', which fits around the body of the hive, and the lid is then fastened by hooks *d*².

H H are the comb-frames, constructed substantially in the usual manner, except that their side bars *h* extend below the lower horizontal bar *h'*, as seen in Fig. 2. At the front each frame H is provided with an L-shaped foot, *k*, the horizontal part of which is passed under a strip, *i*, fastened to the base A, whereby the frames are held in place in the hive without danger of falling over when the end boxes J J are removed.

A box, J, is placed at each end within the hive, it being separated from the comb-frames by a division-board, I, which has a suitable opening for the passage of the bees.

On top of the frames H and boxes J are placed other honey-boxes, K, as shown.

Having thus fully described my invention, what I claim as new, and desire to secure by Letters Patent, is—

1. In combination with the base A B of a bee-hive, the body, which incloses the frames and honey-boxes, made of four independent pieces, D D¹ and D² D², the parts D and D¹ being provided with L-shaped corner-pieces E E, and connected to the end pieces D² and to the base by hooks and staples, as herein set forth.

2. The base A, provided with the strip *i* and the comb-frames H, each provided with an L-shaped metallic foot, *k*, extending under the strip *i*, to prevent the frames from being raised, the parts being combined and used as set forth.

In testimony that I claim the foregoing I have hereunto set my hand this 10th day of December, 1877.

DAVID P. MILLER.

Witnesses:

JAMES A. WARD,
H. V. L. JONES.