

C. EGCELSTON & T. W. REED.
Honey-Comb Frame.

No. 213,638.

Patented Mar. 25, 1879.

Fig. 1.

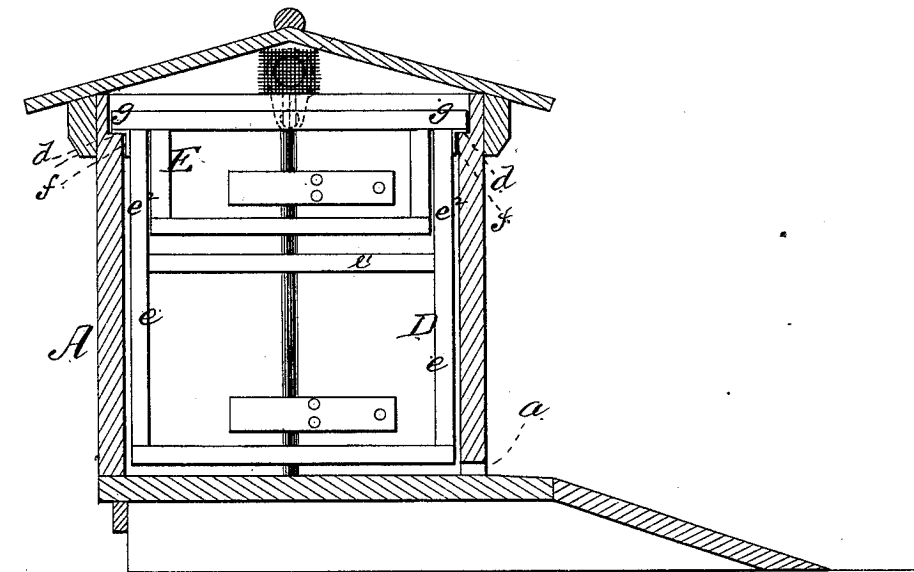


Fig. 2.

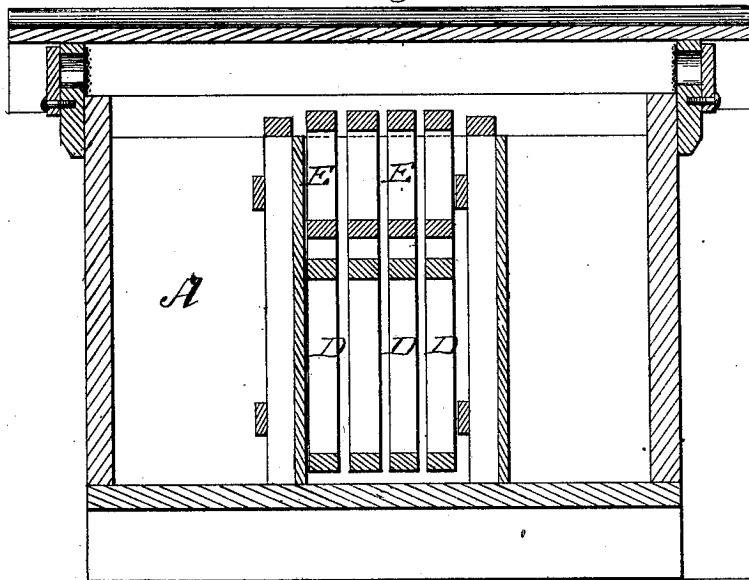
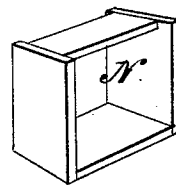


Fig. 3.



WITNESSES

John A. ...
A. J. Massi

INVENTORS

Carlos Eggeston
Thomas W. Reed
By E. W. Anderson
ATTORNEY

C. EGGELSTON & T. W. REED.
Honey-Comb Frame.

No. 213,638.

Patented Mar. 25, 1879.

Fig. 4.

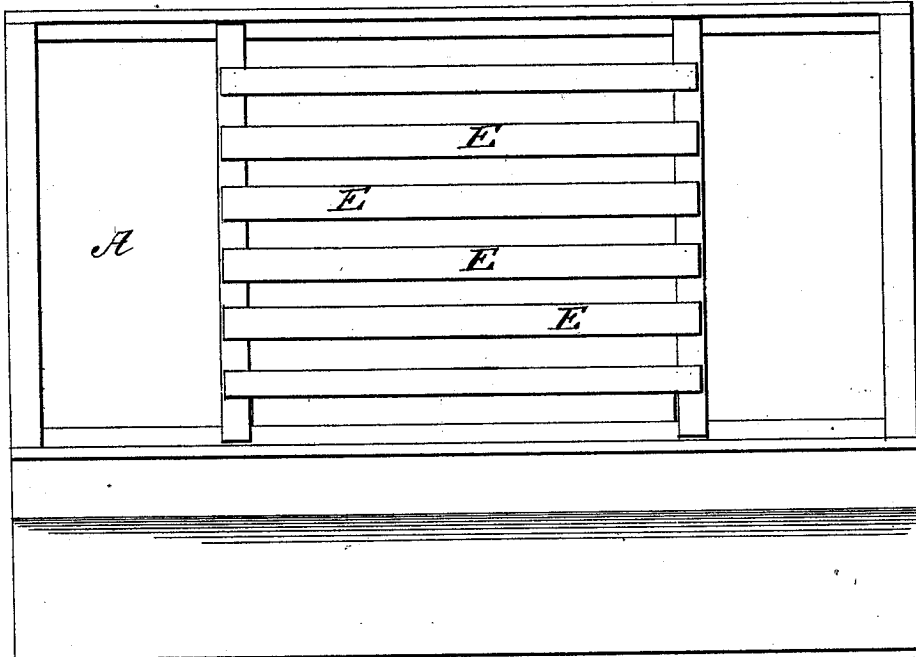
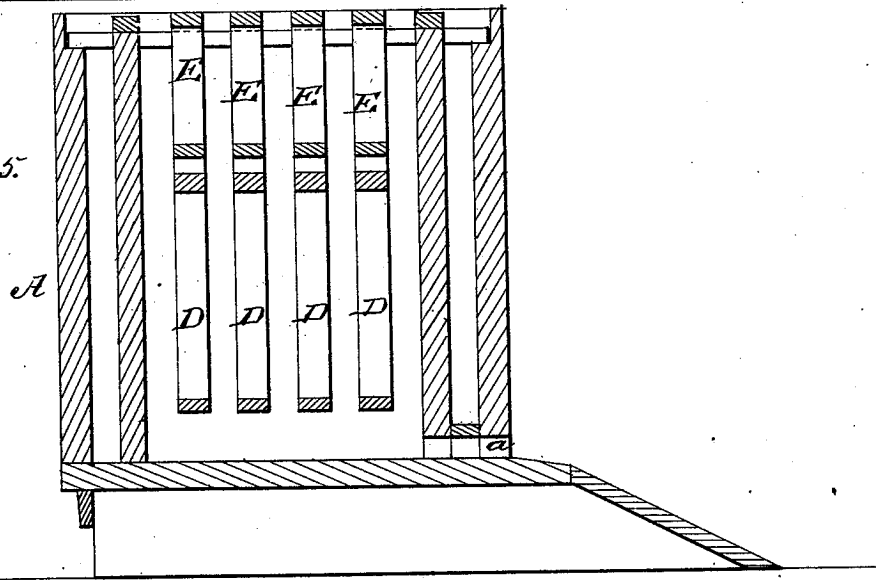


Fig. 5.



WITNESSES

John A. ...
A. J. ...

INVENTORS

Carlos Eggelston.
Thos W. Reed,
by E. W. Anderson
ATTORNEY

UNITED STATES PATENT OFFICE.

CARLOSS EGGELSTON AND THOMAS W. REED, OF MACON, MISSOURI, ASSIGNORS OF ONE-FOURTH THEIR RIGHT TO J. B. WINN, OF SAME PLACE.

IMPROVEMENT IN HONEY-COMB FRAMES.

Specification forming part of Letters Patent No. 213,638, dated March 25, 1879; application filed January 6, 1879.

To all whom it may concern:

Be it known that we, C. EGGELSTON and T. W. REED, of Macon, in the county of Macon and State of Missouri, have invented a new and valuable Improvement in Bee-Hives; and we do hereby declare that the following is a full, clear, and exact description of the construction and operation of the same, reference being had to the annexed drawings, making a part of this specification, and to the letters and figures of reference marked thereon.

Figure 1 is a vertical cross-section of a bee-hive, showing our improved comb-frames in position therein. Fig. 2 is a longitudinal section of a bee-hive, showing our improved comb-frames. Figs. 3, 4, and 5 are details, showing our improved comb-frames.

This invention relates to certain improvements in comb-frames for bee-hives.

The nature of this invention consists in the construction and novel arrangement of a comb-frame constructed of two independent sections, one section being provided with angular plates, by means of which it is supported in the hive, the other section being adapted to fit within the first-mentioned section, and provided with supporting-arms, as hereinafter shown and described.

In the accompanying drawings, the letter A designates the body of a bee-hive, and *a* an opening in front of the same, for the entrance of the bees.

Along the sides of the body A of the hive, near its upper edge, is an inside ledge, *d*, upon which the brood-frames D rest. These are of rectangular form, and their side rails *e* extend up above their horizontal bars *e*¹, being each provided with an angular metallic plate, *f*, at their upper ends, the horizontal branches of which rest upon the ledges *d*, and sustain the said frames in position. These latter are arranged side by side at a suitable distance apart, and extend nearly to the bottom of the hive, bees being thus allowed to pass to any portion thereof.

E indicates the winter comb-frames, the same being of a length to pass freely between the upward extensions *e*² of the brood-frames, and are provided with arms *g*, that rest upon the top of said rails, and sustain the said frames E above the frames D.

The frames E, when filled with honey at the height of the season, are removed from the hive and placed in a safe repository, and surplus frames N substituted therefor. These frames as fast as filled are removed even up to the end of the season, at which time they are replaced by the full frames E, containing prime honey, as winter-food for the bees. By this means the surplus frames as fast as filled may be removed up to the last moment without fear of stinting the bee-food, supply having been thus already set aside; and we are able to obviate bee diarrhoea or cholera, to which the bees are subject during the winter when they subsist on honey derived from cider-mills, wine-presses, grapes, or frost-bitten flower-blossoms. This will be readily appreciated by the bee-raisers, who, ending the season with strong broods, find in the early spring their stands of bees either very weak or utterly destroyed from the cause above mentioned.

What we claim as new, and desire to secure by Letters Patent, is—

The combined comb-frame for a bee-hive constructed in two independent sections, D and E, the section D being provided with angular plates *f*, by means of which it is supported in the hive, the section E being adapted to fit within the section D, and provided with supporting-arms *g*, substantially as specified.

In testimony that we claim the above we have hereunto subscribed our names in the presence of two witnesses.

CARLOSS EGGELSTON.
THOS. W. REED.

Witnesses:

VALENTIN MILLER,
PH. REUHEL.