

(Model.)

A. F. BONHAM.

Process of Making Honey Comb Foundation.

No. 234,226.

Patented Nov. 9, 1880.

Fig. 1.

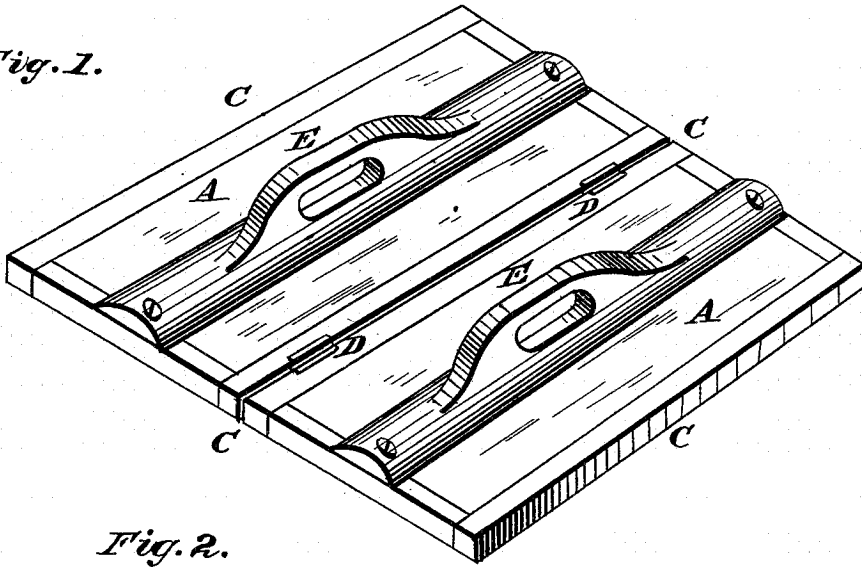


Fig. 2.

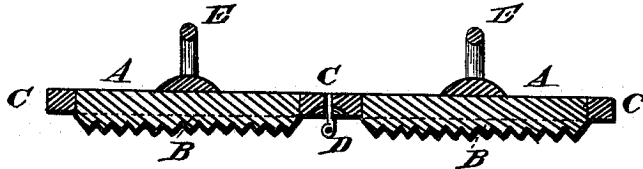


Fig. 3.

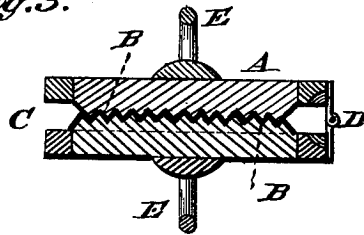
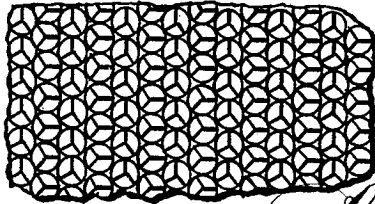


Fig. 4.



Witnesses:
Fred. J. Dieterich
P. Dieterich.

Inventor:
A. F. Bonham,
by C. A. Snow & Co.,
Attys.

(Model.)

A. F. BONHAM.

Process of Making Honey Comb Foundation.

No. 234,226.

Patented Nov. 9, 1880.

Fig. 1.

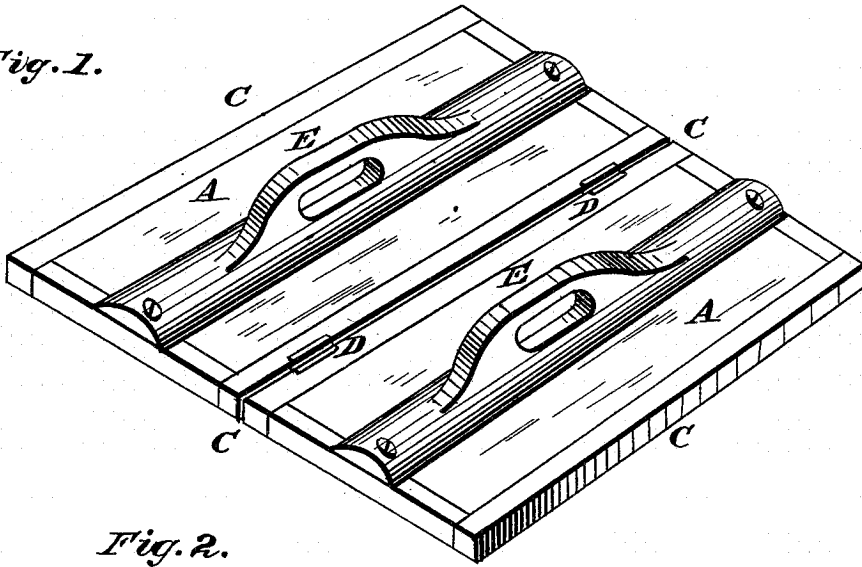


Fig. 2.

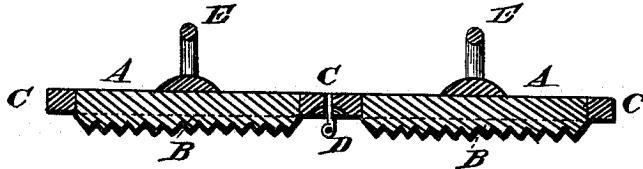


Fig. 3.

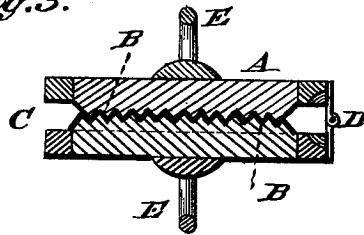
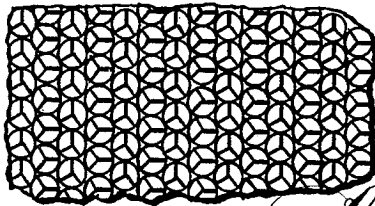


Fig. 4.



Witnesses:
Fred. J. Dieterich
P. Dieterich.

Inventor:
A. F. Bonham,
by C. A. Snow & Co.,
Attys.