

J. MILLS.
Bee Hive.

No. 236,903.

Patented Jan. 25, 1881.

Fig. 1.

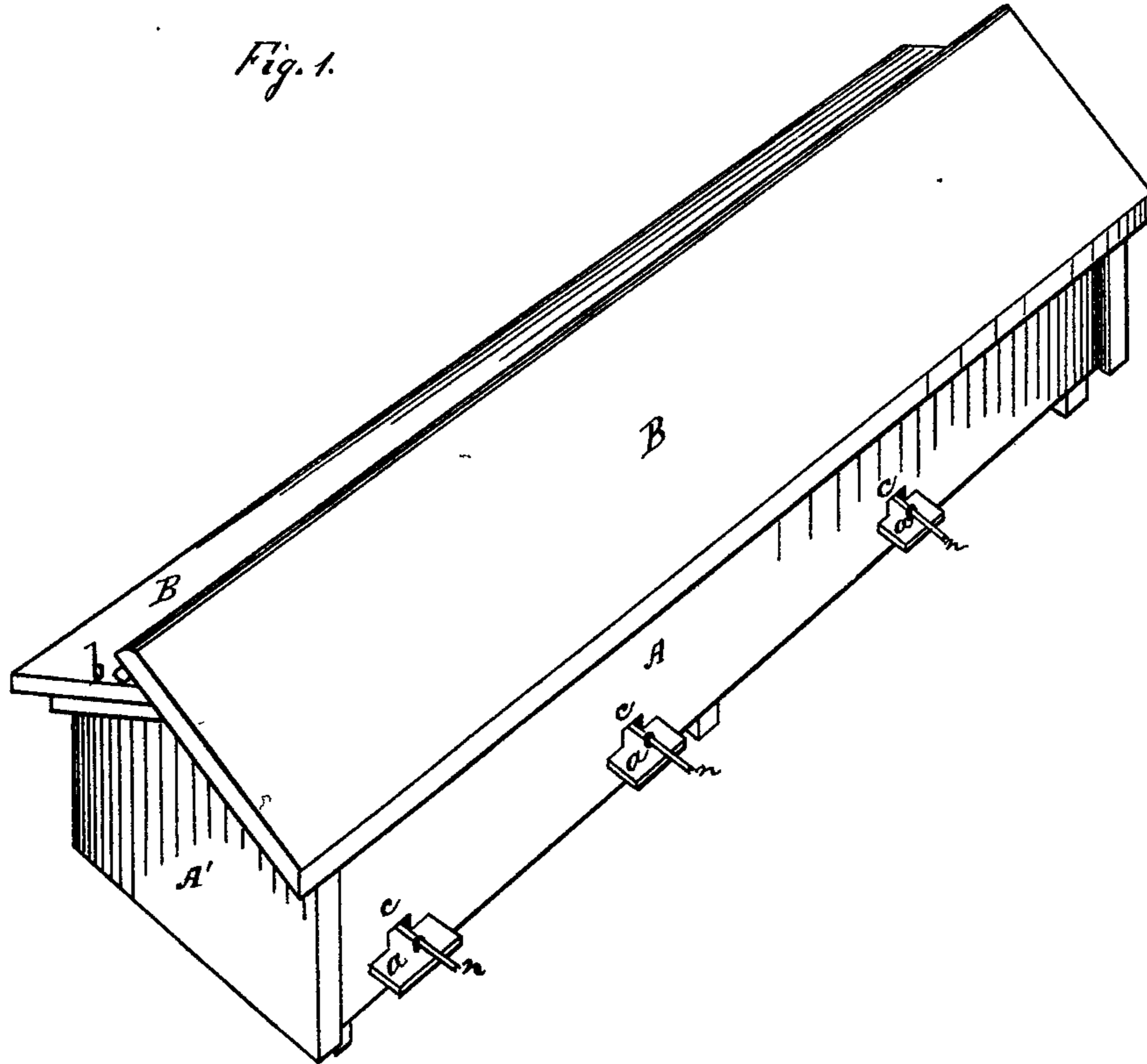
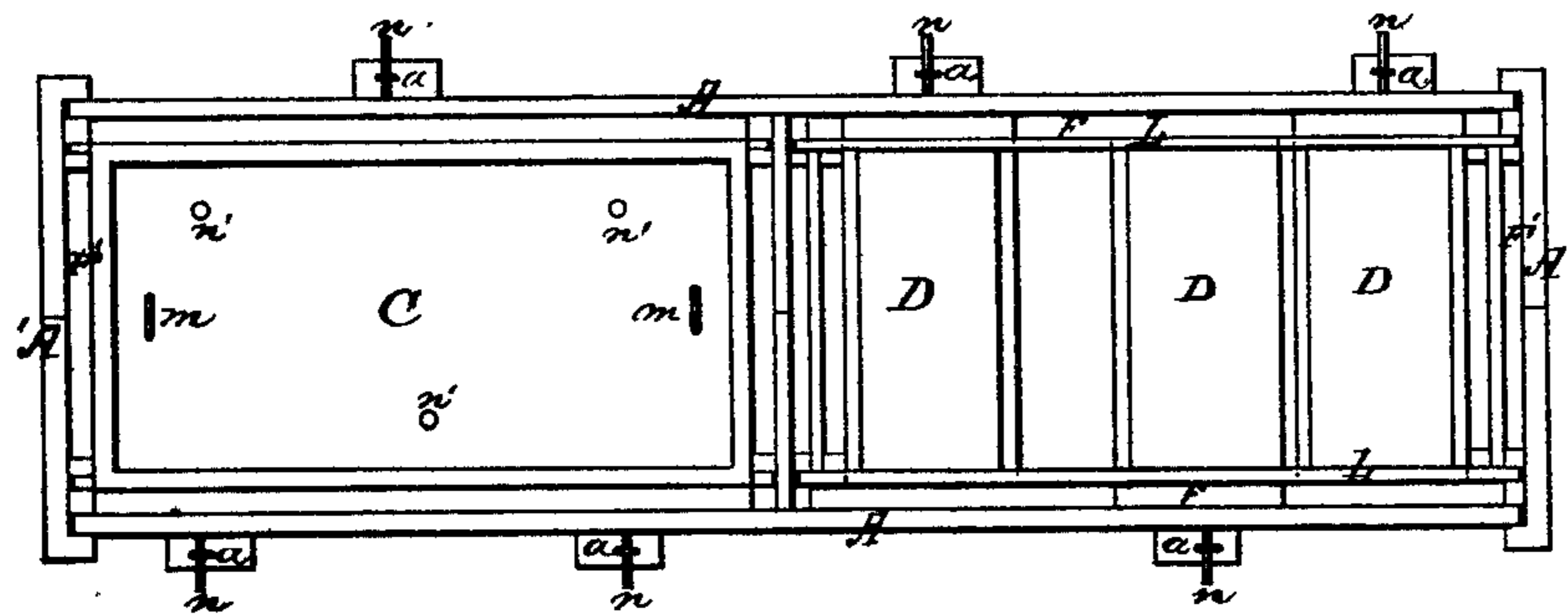


Fig. 2.



Witnesses:
W. J. Dennis
Geo. P. Tristram

Inventor:
Joseph Mills

J. MILLS.
Bee Hive.

No. 236,903.

Patented Jan. 25, 1881.

Fig. 3.

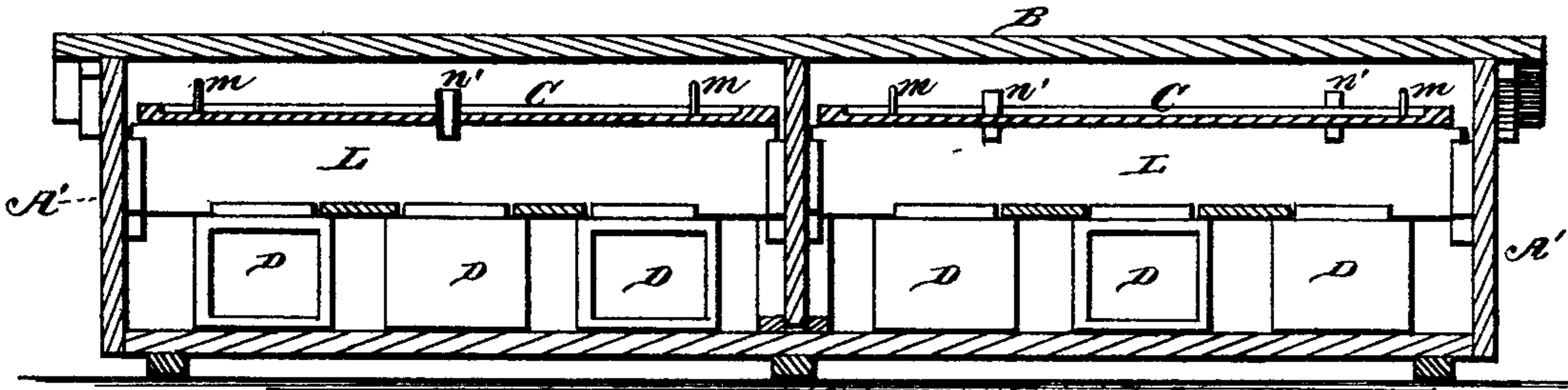
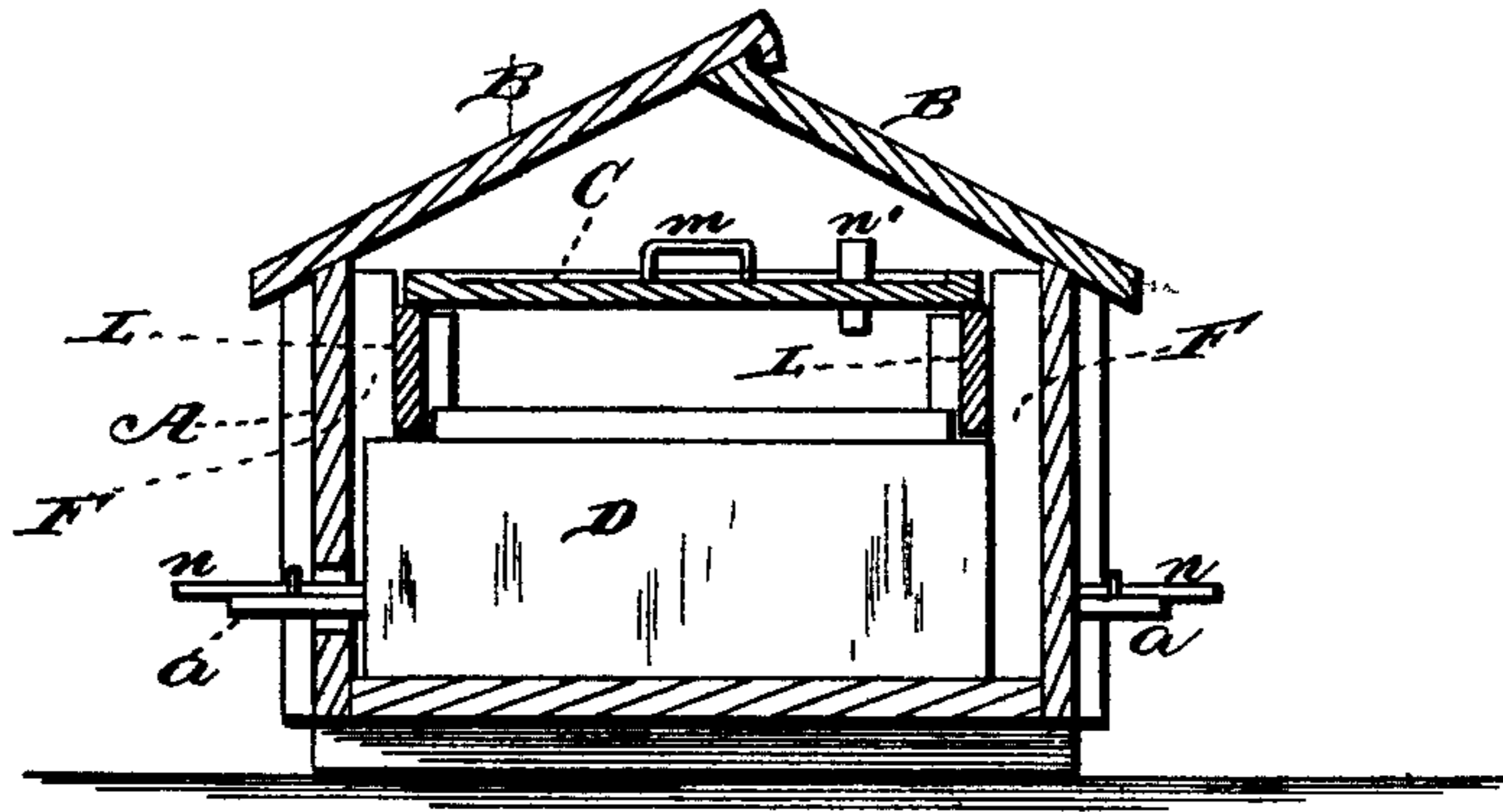


Fig. 4.



Witnesses.
Robert Evans
Edward S. Siggers

Inventor.
Joseph Mills
by W. H. Babcock.
Attorney.

UNITED STATES PATENT OFFICE.

JOSEPH MILLS, OF NEW PARIS, OHIO.

BEE-HIVE.

SPECIFICATION forming part of Letters Patent No. 236,903, dated January 25, 1881.

Application filed November 12, 1878.

To all whom it may concern:

Be it known that I, JOSEPH MILLS, of New Paris, Preble county, Ohio, have invented certain new and useful Improvements in Bee-Houses; and I hereby declare the following to be a full, clear, and exact description of the same, reference being had to the drawings which accompany this specification, forming a part of the same, and to the letters and figures of reference marked thereon.

This invention has relation to bee houses which are adapted to receive several hives; and it consists in the construction, combination, and arrangement of the parts hereinafter set forth and claimed.

In the accompanying drawings, Figure 1 represents a perspective view of my improved bee-house when covered by its detachable roof; and Fig. 2 represents a plan view of the same with the said roof removed, one of the lower or inner covers also being removed. Fig. 3 represents a vertical longitudinal section through my improved bee-protector and the inclosed hives, and Fig. 4 represents a vertical cross section through the same.

A designates the side pieces, and A' the end pieces, of my bee-house. These are secured detachably together, and roofed by detachable overlapping roof pieces B B. When said parts A A A' A' B B are set up and attached together they form a house or outer protector for the hives, D. These hives may be of any convenient number. I have shown a house adapted to contain six, three of the six being visible in Fig. 2. These hives set within a frame, L, which corresponds in outline with the walls of the bee-house, and is made up of detachable side pieces and end pieces. Between this frame and the walls of the bee-house are side spaces, F, and end spaces, F', which

receive packing, whereby the hives and the bees within them are protected against excessive cold or heat. The said frame L does not extend up to the roof-pieces B B, but leaves space for sub-covers or inner covers, one of which (marked C) is shown in Fig. 2. These covers protect the hives in case of the accidental displacement of the roof-pieces B B, and, as they rest on frame L without fastening, they may be readily removed to allow the inspection of the hives and removal of honey. Fig. 2 shows the bee house and hives when one of them has thus been removed. Each inner cover, C, is provided with handles *m m* and ventilating orifices *n'*.

The side pieces, A, have doors *c*, under and outside of which are perches *a*. These perches are supported by semi-tubular stems *n*, the opening in which is shown in Fig. 1, and which extend into the hives and supply them with air. These semi-tubular stems thus serve a double function.

What I claim as new, and desire to secure by Letters Patent, is—

1. In a bee house adapted to receive and protect several hives of bees, the combination of perches *a* and ventilating semi-tubes *n* with said bee-house and bee hives, said semi-tubes extending through the walls of said bee house to the several bee-hives, and supporting said perches, substantially as set forth.

2. A bee-house adapted to receive bee-hives, and provided with detachable inner frame, L, and detachable inner cover or covers, C, having ventilating-openings *n'* and handles *m*, substantially as and for the purpose set forth.

JOSEPH MILLS.

Witnesses:

W. T. DENNIS,

JNO. P. SHISTLETHWAITE.