

F. A. DUNHAM.

MACHINE FOR MANUFACTURING HONEY COMB FOUNDATIONS.

No. 246,099.

Patented Aug. 23, 1881.

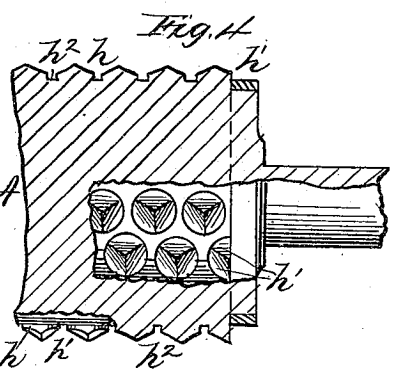
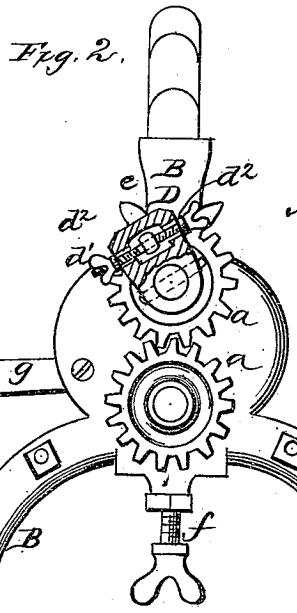
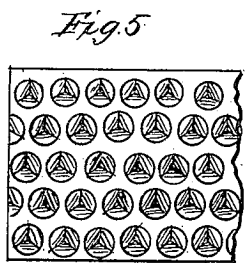
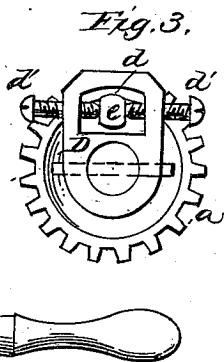
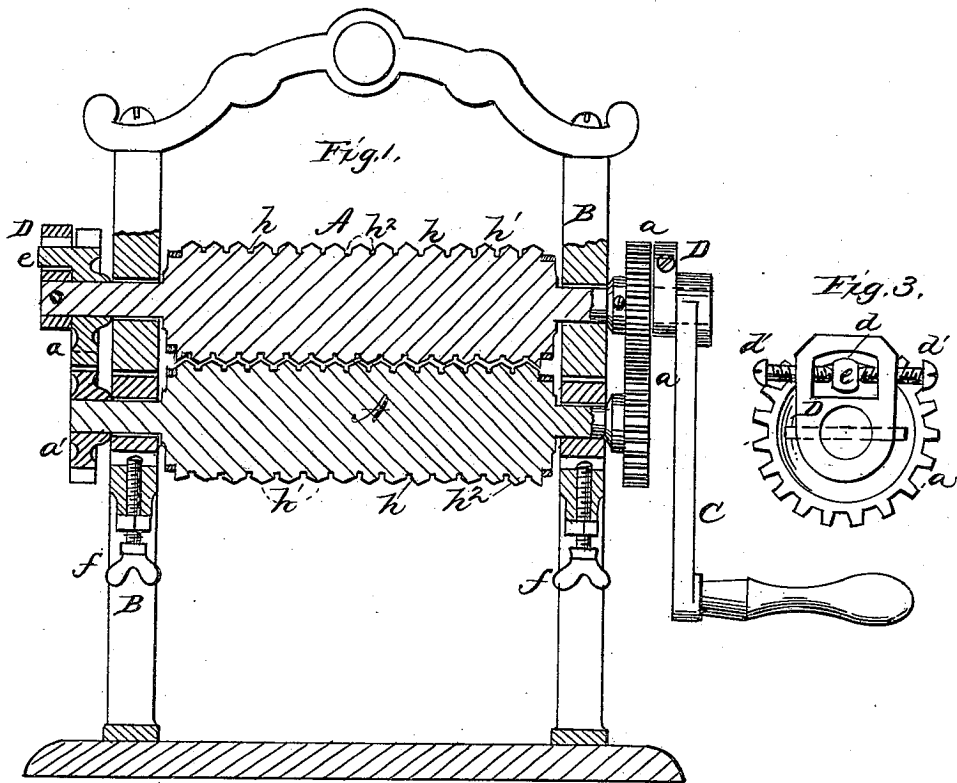
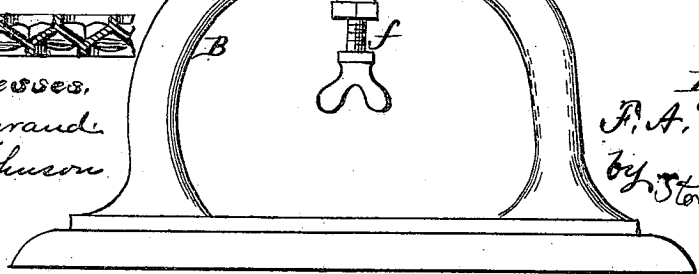


Fig. 6.
 Witnesses,
 F. L. Curande
 E. W. Johnson



Inventor,
 F. A. Dunham
 by J. Stone & Underwood
 attys

F. A. DUNHAM.

MACHINE FOR MANUFACTURING HONEY COMB FOUNDATIONS.

No. 246,099.

Patented Aug. 23, 1881.

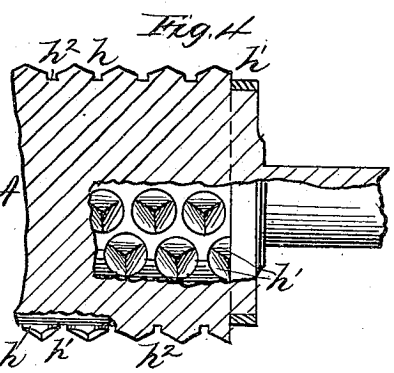
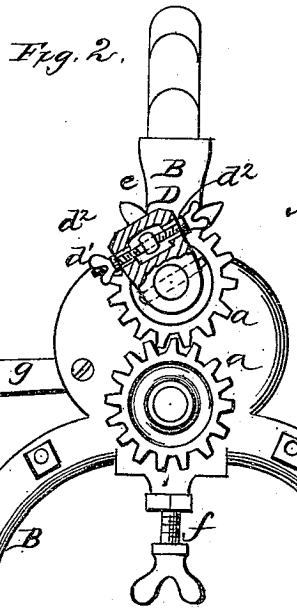
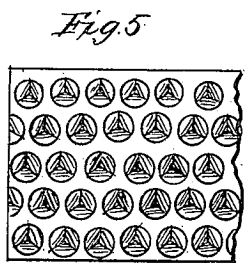
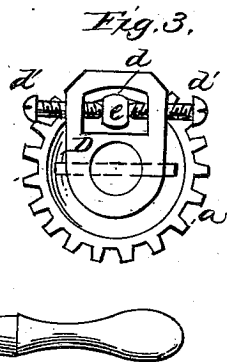
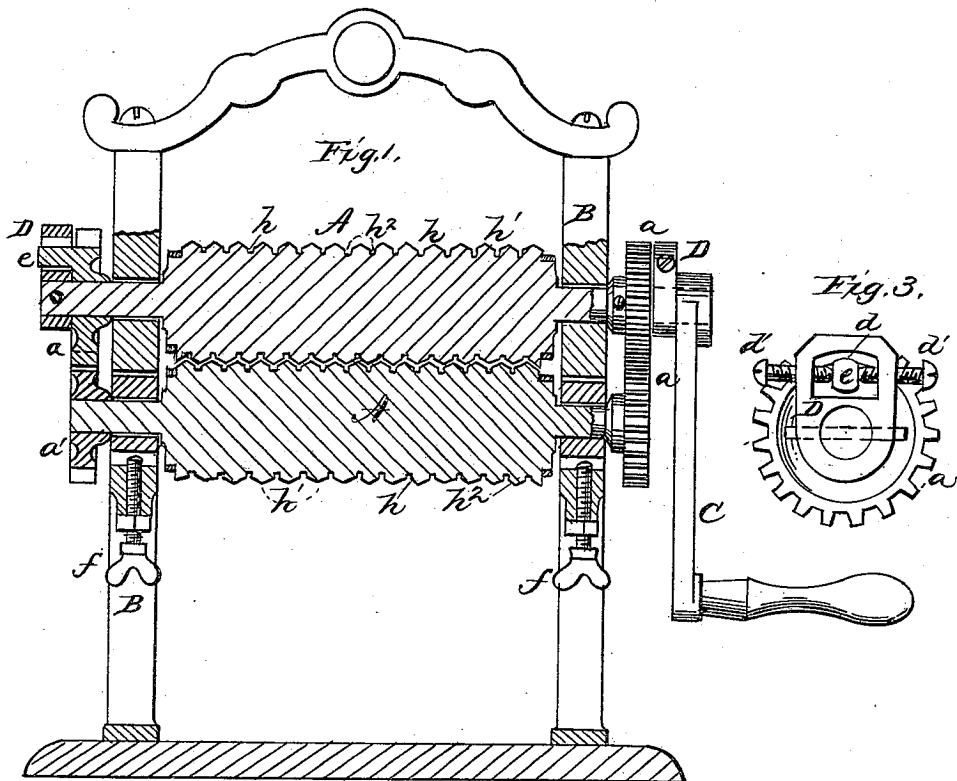
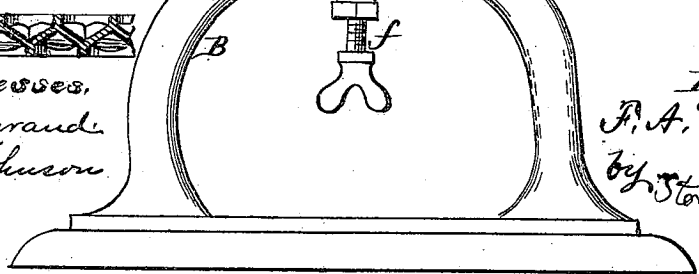


Fig. 6.
 Witnesses,
 F. L. Curande
 E. W. Johnson



Inventor,
 F. A. Dunham
 by Stone & Underwood
 attys

to fifty pounds per hive. From fifty to one hundred and fifty is an unusual amount. The enforced idleness may therefore cost almost the entire crop of surplus honey.

- 5 The base of my foundation requiring very little thinning, the queen will immediately deposit eggs and the work of feeding the larvæ and lengthening up the walls of the cells goes on together without interfering in anyway with
 10 the gathering of the main honey-crop; and, also, the combs are built out without generating so great heat in the hive that the bees are forced into swarming, which is considered in these days a great loss, as bees are divided
 15 artificially when increase of colonies is desired; and since the walls of the cells in my foundation rise to a uniform height, to one and the same plane, there are no weak points in it. It will therefore support any reasonable weight.
 20 Having thus fully described my invention, what I claim as new, and desire to secure by Letters Patent, is—

1. In a machine for making honey-comb foundation, the combination of rolls A A', having dies raised upon them, with pinions *a*, having lugs *e*, setting-block D, screws *d'* and pinions *a'*, as and for the purpose set forth. 25

2. As a new article of manufacture, the honey-comb foundation described, composed entirely of wax, and having cylindrical cells, the tops of the walls of which lie in one and the same horizontal plane at right angles to the sides of the cells, and having triangular bottoms, as and for the purpose set forth. 30

In testimony that I claim the foregoing I have hereunto set my hand and seal this 16th day of September, 1879. 35

FRANCES A. DUNHAM. [L. s.]

Witnesses:

GEO. F. MERRILL,
JOHN SMITH.