

(Model.)

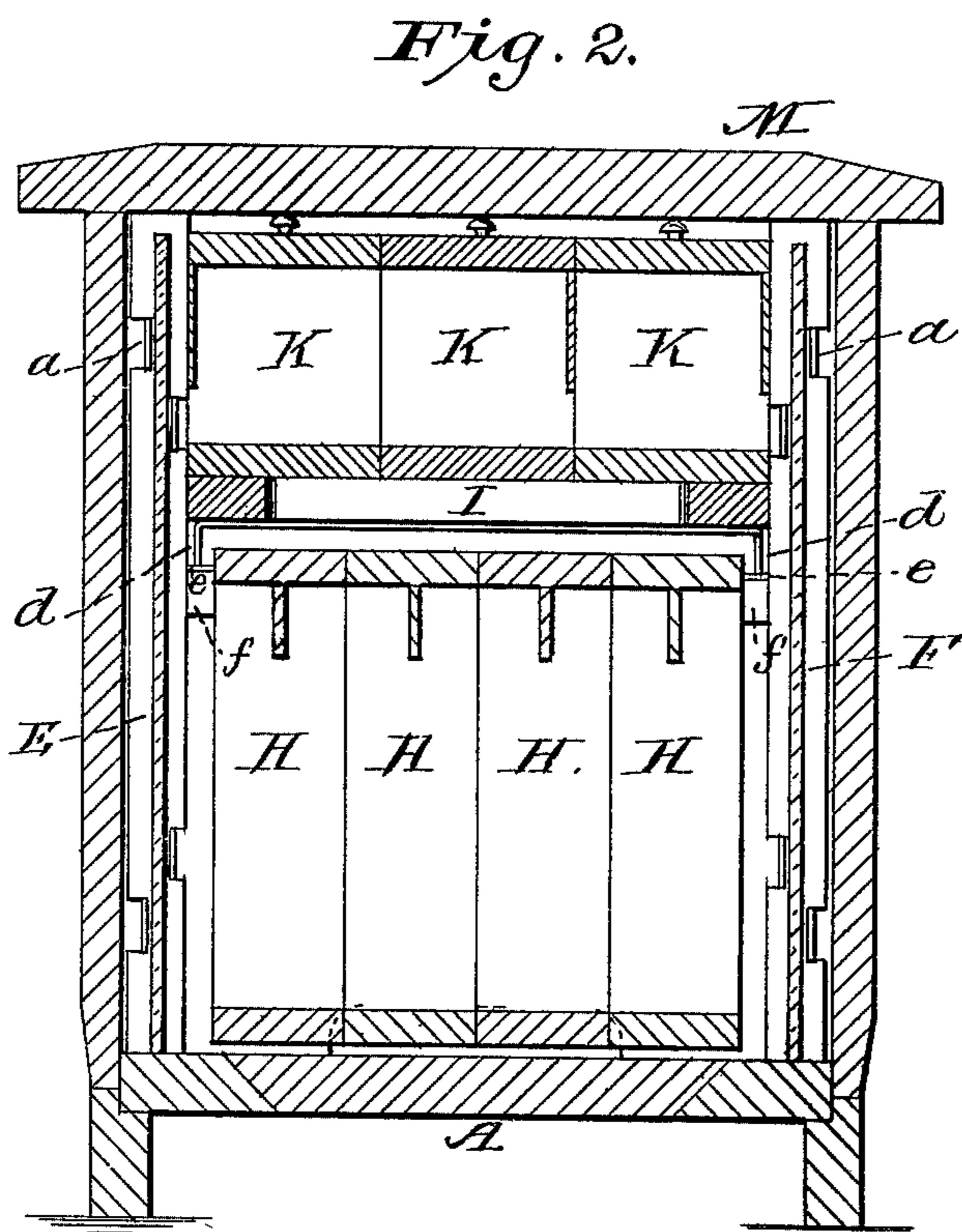
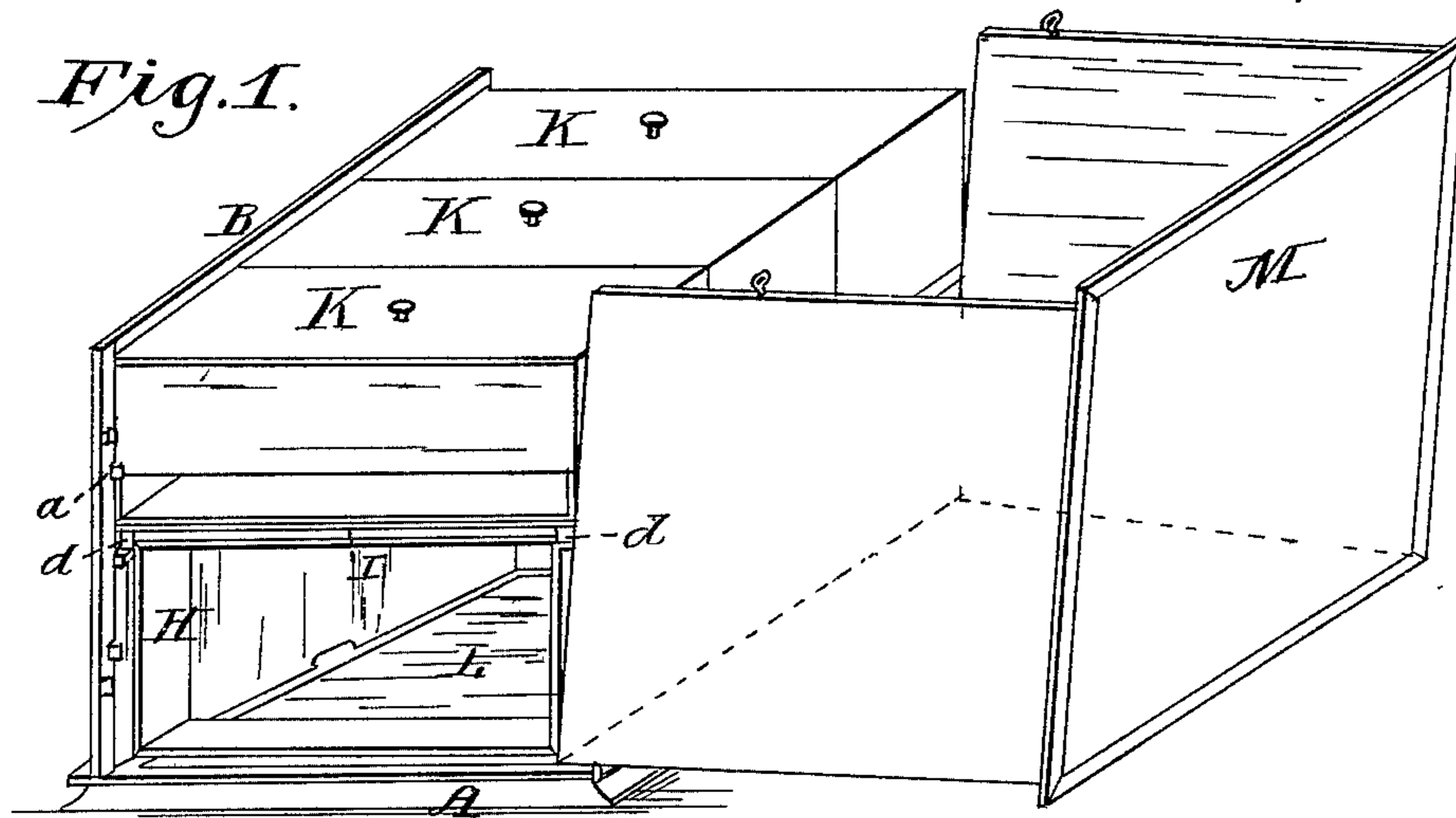
2 Sheets—Sheet 1.

C. HOWARD.

BEE HIVE.

No. 251,716.

Patented Jan. 3, 1882.



WITNESSES

J. M. Burnham.
John C. Kilby.

INVENTOR

Charles Howard.
per Cha. H. Fowler
 Attorney

(Model.)

2 Sheets—Sheet 2.

C. HOWARD.

BEE HIVE.

No. 251,716.

Patented Jan. 3, 1882.

Fig. 3.

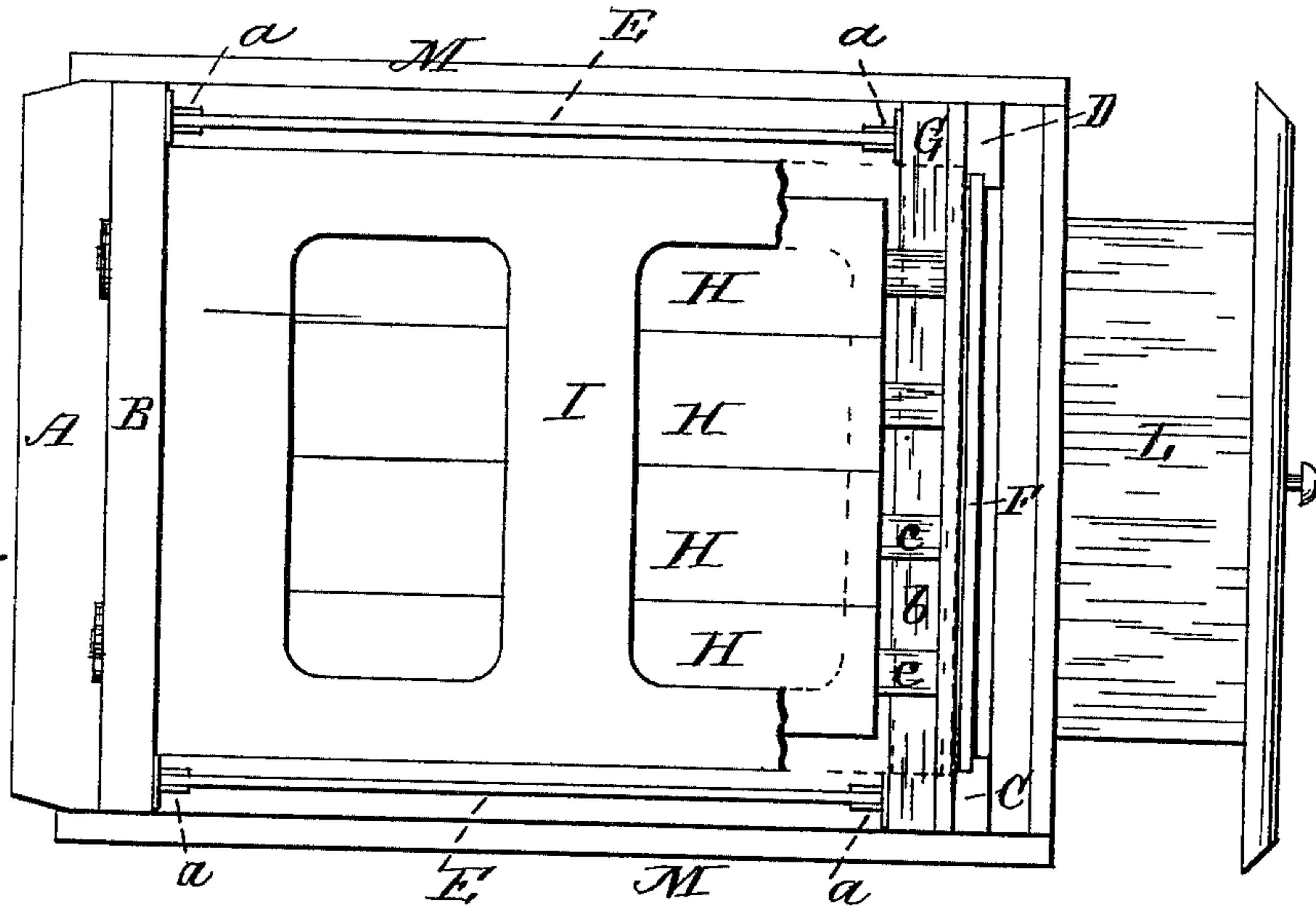
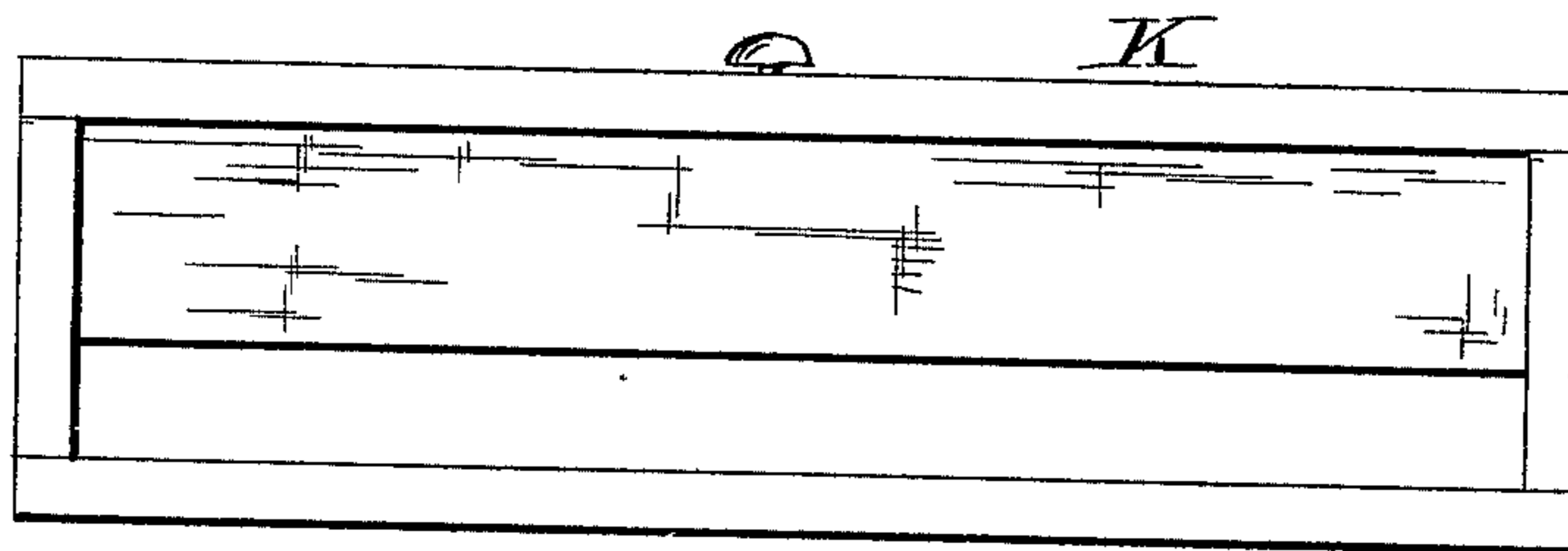


Fig. 4.



WITNESSES

J. M. Burnham,
John C. Kilby.

INVENTOR

Charles Howard,
per Cha. H. Fowler,
 Attorney

UNITED STATES PATENT OFFICE.

CHARLES HOWARD, OF SCIRCLEVILLE, INDIANA.

BEE-HIVE.

SPECIFICATION forming part of Letters Patent No. 251,716, dated January 3, 1882.

Application filed November 14, 1881. (Model.)

To all whom it may concern:

Be it known that I, CHARLES HOWARD, a citizen of the United States, residing at Scircleville, in the county of Clinton and State of Indiana, have invented certain new and useful Improvements in Bee-Hives; and I do hereby declare that the following is a full, clear, and exact description of the same, reference being had to the annexed drawings, making a part of this specification, and to the letters and figures of reference marked thereon.

Figure 1 of the drawings is a perspective view of a bee-hive constructed in accordance with my invention, showing the outer casing removed. Fig. 2 is a vertical section thereof on an enlarged scale. Fig. 3 is a top plan view with the top of casing and comb frames removed; and Fig. 4 is a detail view, on an enlarged scale, of one of the comb-frames.

The object of the present invention is to furnish an improved bee-hive which shall be simple in construction as well as convenient in use, and enabling the operations necessary in taking care of the bees to be readily and effectually performed without disturbing them, especially when cleaning the hives or removing the worms or moths therefrom, or to ascertain their presence without annoying the bees. These objects I attain by the construction substantially as shown in the drawings and hereinafter described.

In the accompanying drawings, A represents the bottom of the hive, having permanently connected thereto the vertical or upright wall B and posts C D. Each of the posts, and also the wall, is provided with suitable metallic confining-plates, *a*, for the reception of removable glass slides E F, which, together with the wall B, form the four sides of the hive, thereby enabling the interior of the hive to be inspected without disturbing the bees and the glass slides removed when found necessary to obtain access to the interior.

Connected to the upper ends of the posts C D is a cross-bar, G, having connected thereto a metallic plate, *b*, and opposite to the inner side of the wall B is a cleat, *f*, having a similar plate, *e*. These metallic plates *b e* form bearings for suitable metallic journals, *c*, projecting from the ends of the usual sections, H,

which form a part of the hive, and also serve as supports for the metallic feet *d* of a partition, I.

Upon the partition I rest the comb-frames K, which may be decreased or diminished in number, as may also the sections H, according to the size or capacity of the hive.

The bottom A of the hive is provided with a removable false bottom, L, to admit the ready cleaning of the bottom of the worms or moths.

The metallic portions of the hive are to prevent the bees from applying wax, thereby permitting the more ready removal, adjustment, or handling of the several parts composing the hive.

The outer casing, M, of the hive is composed of a top and three sides only, and when closed down over the hive rests upon a ledge around the bottom of the hive, the wall B completing the four sides, thereby forming a protection to the hive and its glass slides. The peculiar form of the casing M is such that when tipped over, as shown in the drawings Fig. 1, it enables the interior of the hive to be inspected through the glass slides E F without in the least disturbing the bees; and should it be found necessary to obtain access to the interior, the glass slides may be raised and removed without danger of annoying the bees or molesting them.

The particular form and construction of the casing M, the removable glass slides E F, and stationary wall B form together the essential feature of my invention, and the combining of them together is considered of such importance in this class of bee-hives as to render them more practical and useful in the culture of bees.

The casing M, when closed down over the hive, can be fastened by any convenient means to the stationary wall B, so that there will be no possibility of its being detached by accident.

Having now fully described my invention, what I claim as new, and desire to secure by Letters Patent, is—

1. In a bee-hive, the bottom A, provided with the stationary wall B and posts C D, and removable glass slides E F, in combination with the casing M, of the form shown, substantially as and for the purpose set forth.

2. A bee hive consisting of the bottom A,
wall B, posts C D, glass slides E F, false bot-
tom L, sections H, skeleton partition I, comb-
frames K, and the casing M, all constructed
5 and arranged to operate as shown and de-
scribed.

In testimony that I claim the above I have

hereunto subscribed my name in the presence
of two witnesses.

CHARLES HOWARD.

Witnesses:

HENRY F. BAKER,

J. R. HELVEY.