

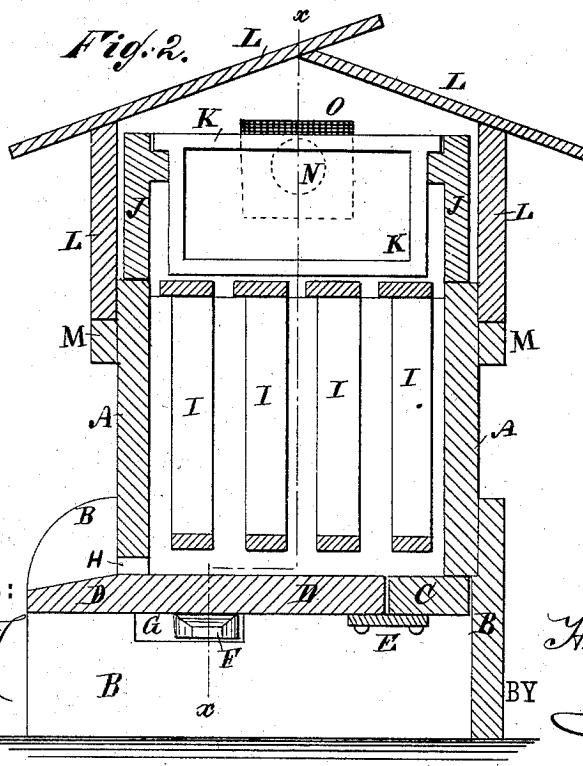
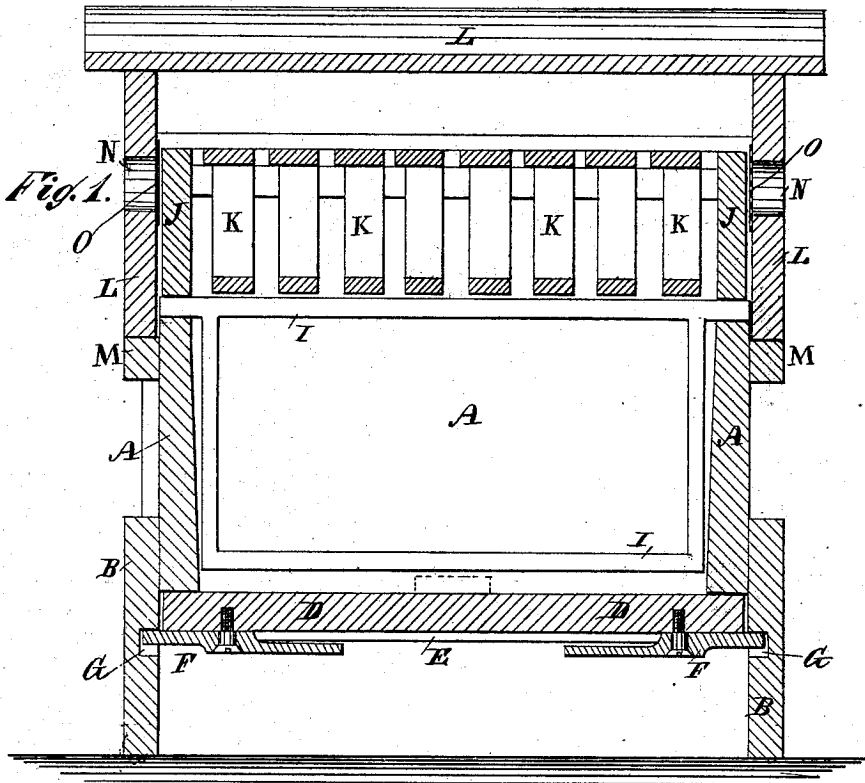
(No Model.)

H. L. T. OVERBEY.

BEE HIVE.

No. 252,134.

Patented Jan. 10, 1882.



WITNESSES:

Philo. Norton
C. Sedgwick

INVENTOR:

H. L. T. Overbey
Munn & Co

ATTORNEYS.

UNITED STATES PATENT OFFICE.

HUGH L. T. OVERBEY, OF SUBLIGNA, GEORGIA, ASSIGNOR TO HIMSELF AND
JAMES C. HIX, OF SAME PLACE.

BEE-HIVE.

SPECIFICATION forming part of Letters Patent No. 252,134, dated January 10, 1882.

Application filed September 10, 1881. (No model.)

To all whom it may concern:

Be it known that I, HUGH L. T. OVERBEY, of Subligna, in the county of Chattooga and State of Georgia, have invented a new and useful Improvement in Bee-Hives, of which the following is a full, clear, and exact description.

Reference is to be had to the accompanying drawings, forming part of this specification, in which similar letters of reference indicate corresponding parts in all the figures.

Figure 1 is a sectional front elevation of my improvement, taken through the line *x x*, Fig. 2. Fig. 2 is a sectional side elevation of the same.

The object of this invention is to promote convenience in the management of bees.

A represents the body of the hive. To the outer surface of the lower part of the sides and back of the body A are attached the upper parts of narrow boards B, the lower edges of which are designed to rest upon the bench, table, or frame that supports the hive.

The bottom of the hive is made in two parts—a narrow rear part, C, and a wide forward part, D. The rear part, C, is secured to the rear part of the lower edge of the body A. The rear edge of the forward part, D, is hinged to the forward edge of the rear part, C, by a strip, E, of leather or other suitable flexible material, so as to close the joint and prevent moth-millers or other insects from entering. The bottom D is secured in place by two buttons, F, which are pivoted to the forward end parts of the said bottom in such positions that their engaging ends can be turned into grooves G in the base-boards B, as shown in Figs. 1 and 2. The bottom D is made so wide as to extend in front to serve as a platform for the bees to alight upon and take flight from. The projecting part of the bottom D is beveled upon its upper side, so that rain will run off readily.

The bees enter and leave the hive through an opening, H, in the lower edge of the front of the body A. I are the main comb-frames, the ends of the top bars of which project in the ordinary manner and rest upon the upper edges of the sides of the body A.

The upper or surplus-honey chamber is

formed of a box, J, open at top and bottom, and the lower edge of which rests upon the upper edge of the body A, and upon the ends of the top bars of the frames I, the upper edges of the sides of the said body A being cut away, so that the upper surfaces of the said frames may be flush with the upper edges of the front and back of the body A.

The surplus-honey frames K are made with the ends of their top bars projecting, so as to rest in rabbets in the upper edges of the front and rear of the surplus-honey chamber J, or upon cleats attached to the said front and rear, the frames K being thus at right angles with the main frames I, so that the bees will build separate combs in the two sets of frames. The surplus-honey chamber J and its comb-frames K are inclosed with a cap or cover, L, the lower edges of which rest upon cleats M, attached to the body A near its upper edge.

The hive is ventilated through openings N in the cap or cover L, which openings are covered at their inner ends by wire-gauze O, to prevent moth-millers and other insects from entering the hive.

With this construction the surplus-honey frames and their combs can be readily removed and replaced by empty frames by taking off the cover L.

With this construction the hinged bottom D is very convenient in hiving the bees, as it allows the hive to be conveniently placed over a swarm. The hinged bottom D also allows the refuse from the hive to be readily removed.

Having thus fully described my invention, what I claim as new, and desire to secure by Letters Patent, is—

A bee-hive formed of the body A, having cleats M near the upper edge and on the outside, the cap L, resting at its lower edge on the said outside cleats, the main frame I and chamber J, supported on the upper edge of said body, and the surplus-honey frames K, supported on inward projections of chamber J, as shown and described.

H. L. T. OVERBEY.

Witnesses:

J. M. JACKSON,
T. J. HIGH.