

(No Model.)

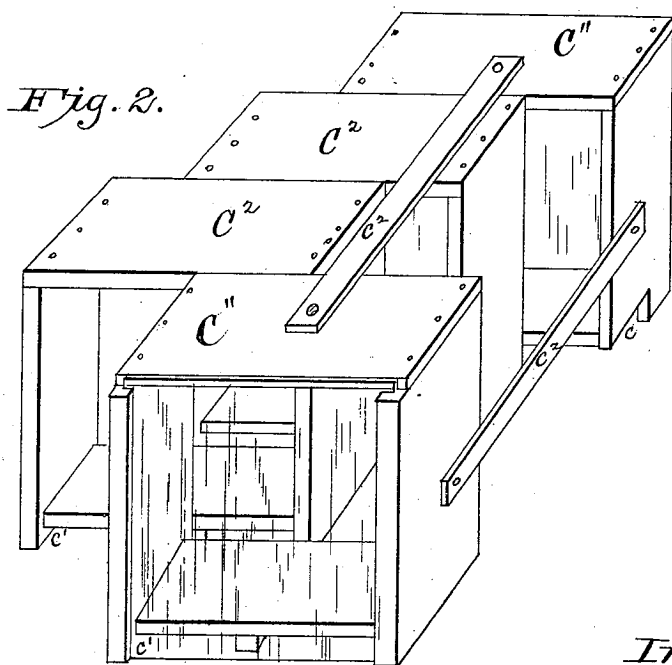
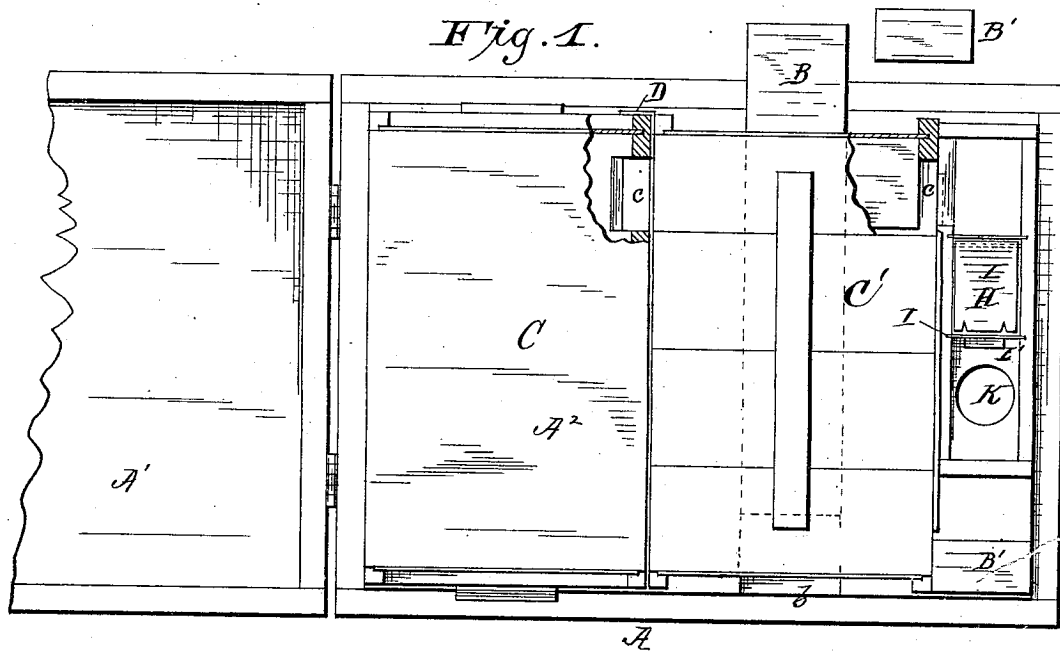
2 Sheets—Sheet 1.

J. W. SILCOTT.

BEE HIVE.

No. 266,059.

Patented Oct. 17, 1882.



Attest:

A. M. Burnham.
G. S. Thompson

Inventor:

John W. Silcott
 By his atty
A. Clay Smith

(No Model.)

2 Sheets—Sheet 2.

J. W. SILCOTT.

BEE HIVE.

No. 266,059.

Patented Oct. 17, 1882.

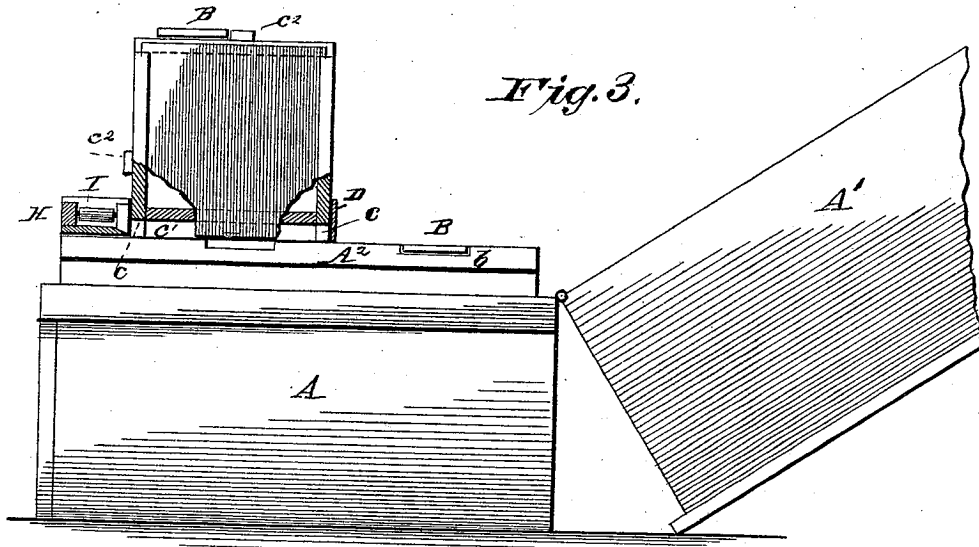


Fig. 3.

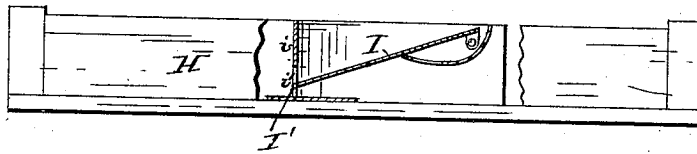


Fig. 4.

Attest:

J. M. Burnham.
G. S. Thompson

Inventor:

John W. Silcott
By his Atty.
W. C. Jones

UNITED STATES PATENT OFFICE.

JOHN W. SILCOTT, OF SNICKERSVILLE, VIRGINIA.

BEE-HIVE.

SPECIFICATION forming part of Letters Patent No. 266,059, dated October 17, 1882.

Application filed May 11, 1882. (No model.)

To all whom it may concern:

Be it known that I, JOHN W. SILCOTT, a citizen of the United States of America, residing at Snickersville, in the county of Loudoun and State of Virginia, have invented certain new and useful Improvements in Bee-Hives; and I do hereby declare the following to be a full, clear, and exact description of the invention, such as will enable others skilled in the art to which it appertains to make and use the same, reference being had to the accompanying drawings, and to letters or figures of reference marked thereon, which form a part of this specification.

My invention relates to an improved form of bee-hive, and the novelty consists in the construction and arrangement of parts, as will be more fully hereinafter set forth, and specifically pointed out in the claims.

This invention is fully illustrated in the accompanying drawings, which form a part of this specification, and in which—

Figure 1 represents a top plan view, partly in section, with the hinged cover open; Fig. 2, a perspective view of the sectional honey-box. Fig. 3 is an elevation, partly broken away to show the passages, the cover being thrown back and one of the honey-boxes removed; and Fig. 4, a detailed view of the conductor between the honey-box and the brood-chamber.

To allow others skilled in the art to which the invention relates to understand it, I will now describe its construction and mode of operation, reference being had to the accompanying drawings, in which similar letters of reference indicate like parts in all the figures.

A represents the brood-section, to which is hinged a cover, A'. The brood-section has the ordinary entrance, properly roofed, and the ordinary alighting-board, and has open connections with each honey-box through the honey-board, which is placed above. The brood-section, being of ordinary construction, forms no part of my invention, except as it serves in connection with the novel features which will now be described. The honey-board A² is provided with apertures *b*, which connect the brood-chamber with each of a series of honey-boxes, C C', and these apertures *b* may be closed at will by means of the slides B. When the slides B are not in use the holes left by their removal

in the edge of the brood-box are filled by the blocks B', and the said blocks B', when not in use, are conveniently packed upon the ledge at the end of the conductor H.

Between the honey-box C and the sectional honey-box C', and between the latter and the conductor H, are corresponding openings, *c*, which allow open connection, except when the plate D is in operation.

I have only shown two honey-boxes, C and C', the latter being sectional; but it will be understood that others may be used.

By my construction, when one of the honey-boxes—say C—is filled the entrance to such box is closed, by inserting the slide B, and the bees in that box are forced to find their exit through the apertures *c* into the adjacent honey-box C', and when the bees are all out of the filled honey-box C the plate D is inserted and the full box removed without disturbing the hive, the bees continuing their labor in the adjacent box C'. The box C' is made in sections, of which the two end sections, C'', are rigidly secured together by means of bars *c*² upon the top and one side, and the intervening boxes or sections, C², are removable. Interstices *c'* are formed between the floor-boards of the elevated floor, and a space left beneath said floor, as shown.

In order to eliminate the bees from the last honey-box C', I employ a glass-covered conductor, H, which has open communication with the honey-box through the aperture *c* and to the brood-chamber through the aperture K. Within this conductor H is arranged a cross-bar, *i*, having an aperture, *i'*, in which operates the tongue *l'* of the plate I, pivoted within the sides of the conductor. The entrance to the honey-box C' having been closed, the bees find their exit through *c* into the conductor, thence under the plate I, which allows their passage but prevents their return, and thence through K into the brood-chamber.

It will be observed that by this construction one or more honey-boxes may be at all times open for the bees to labor in, and that the honey-boxes may be removed when filled without disturbing the hive.

What I claim as new is—

1. In a bee-hive having passages connecting the brood-chamber with a honey-box, and the

honey-box having connecting passages with a conductor leading back to the brood-chamber, the combination of the brood-section and honey-box with the slide B for closing the entrance, and means for allowing the exit and automatically preventing the return of the bees from and to the said honey-box, as specified.

2. In a bee-hive, a series of honey-boxes arranged upon the honey-board and having connecting passages with the brood-chamber and with each other, combined with slides B, plate D, and means for allowing the exit of bees from the last box of the series and automatically preventing their return, as specified.

3. The sectional honey-box C' , having raised floor with interstices c' , and composed of the rigid sections C'' , connecting-bars c^2 , and intermediate sections, C^2 , combined with the

brood-section, the honey-board having aperture b , and the slide B, as set forth.

4. The conductor H, having partition i , with aperture i' , and the pivoted plate I, having tongue I' , combined with the honey-box, the brood-section and connections, as set forth.

5. The combination, with the brood-section and connected series of honey-boxes having communicating apertures, of the slides B, blocks B' , the conductor H, pivoted plate I, and the plate D, as specified.

In testimony whereof I affix my signature in presence of two witnesses.

JOHN W. SILCOTT.

Witnesses:

H. CLAY SMITH,
J. C. LATHROP.