

(Model.)

2 Sheets—Sheet 1.

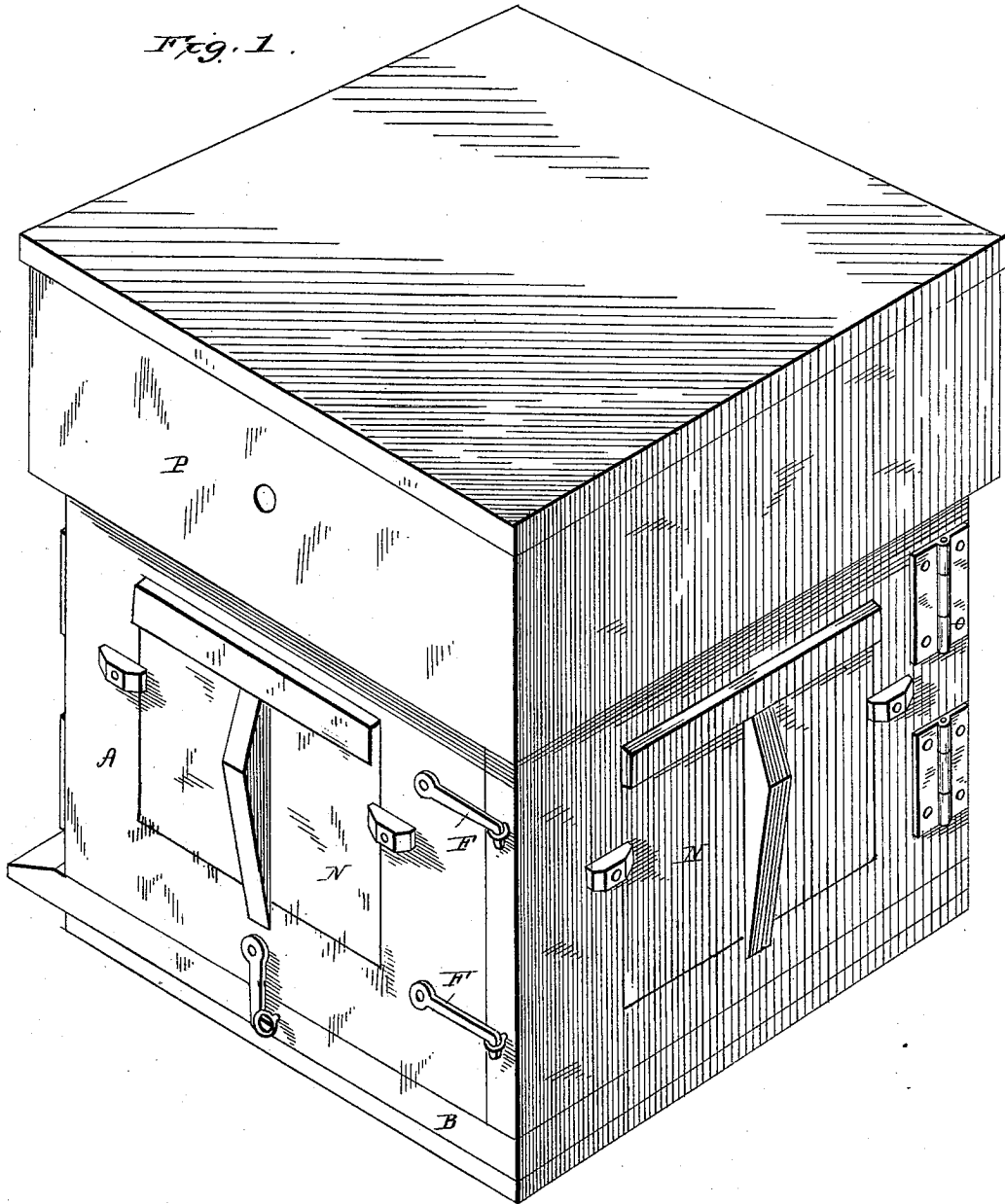
C. H. BERNHEIM.

BEE HIVE.

No. 280,560.

Patented July 3, 1883.

*Fig. 1.*



*Witnesses.*

*Edwin L. Yewee.*  
*J. J. McCarthy.*

*Inventor.*

*Chas. H. Bernheim*  
*By C. M. Alexander, Jr.*  
*Attorney.*

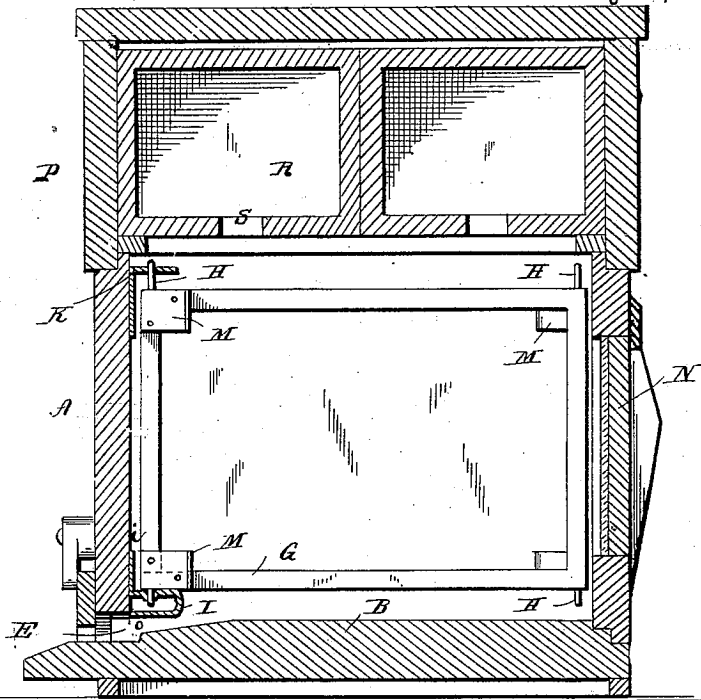
# C. H. BERNHEIM.

## BEE HIVE.

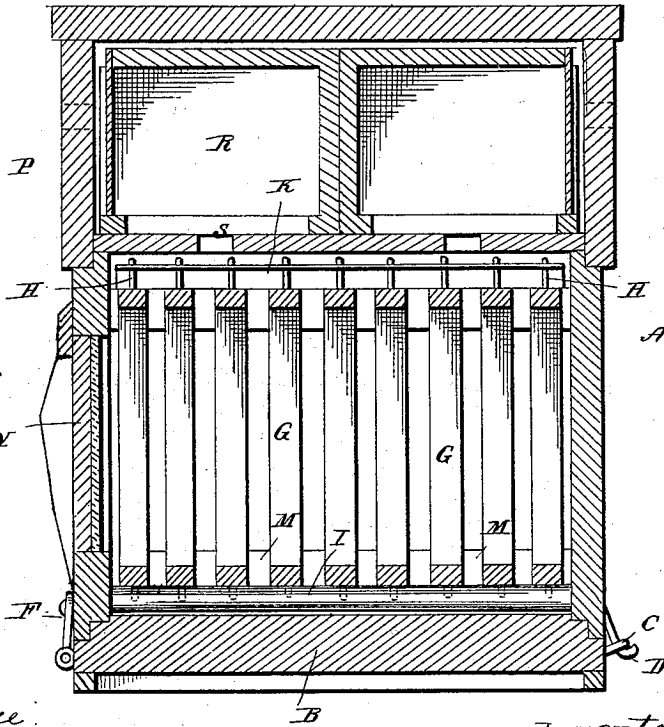
No. 280,560.

Patented July 3, 1883.

*Fig. 2.*



*Fig. 3.*



*Fig. 4.*



Witnesses.

Edwin L. Yancey.  
*J. J. McCarthy.*

Inventor.

Chas. H. Bernheim  
 By *L. M. Alexander* Attorney

# UNITED STATES PATENT OFFICE.

CHARLES H. BERNHEIM, OF LEXINGTON, NORTH CAROLINA.

## BEE-HIVE.

SPECIFICATION forming part of Letters Patent No. 280,560, dated July 3, 1883.

Application filed May 17, 1883. (Model.)

*To all whom it may concern:*

Be it known that I, CHARLES H. BERNHEIM, a citizen of the United States, residing at Lexington, in the county of Davidson and State of North Carolina, have invented certain new and useful Improvements in Bee-Hives, of which the following is a specification, reference being had therein to the accompanying drawings.

This invention relates to certain improvements in bee-hives; and it has for its objects to provide certain means whereby the hive may be more readily handled and managed than heretofore. These objects I attain by the means illustrated in the accompanying drawings, in which—

Figure 1 represents a perspective view of my improved hive; Fig. 2, a vertical transverse section thereof, and Fig. 3 a vertical transverse section taken at right angles to the section represented in Fig. 2 of the drawings. Fig. 4 represents a detailed top view of a portion of one of the comb-frames.

In the drawings, the letter A indicates the lower section of the hive, which is provided with a bottom, B, to which it is hinged, at one side, by means of the eyes C and pintles D. The said bottom sets up into the lower part of the hive within a short distance of the frames, so that the bees may readily reach the frames immediately upon entering the hive, the bottom being cut away at the front, as indicated by the letter E, to furnish an entrance for the bees. The sides of the said lower section are hinged at the corners, so that they may be readily opened, and at one corner are provided with fastening devices F, of any suitable description.

The letter G indicates the comb-frames, which, at the corners, are provided with pintles A, so that they may be reversed in their bearings when desired. The said frames have their lower bearings in a perforated sheet-metal frame, I, secured to one side of the said lower section, on the inside. The said lower section is formed of a bent piece of metal, the upper portion having perforations for the lower pintles, and fastened to the front of the hive by an upper flange, *i*, and supported by a lower ledge, *o*, over the opening. The said frames have their upper bearings in holes in a strip of metal, K, on the same side as the

frame I, above mentioned, and when in their bearings swing, like the leaves of a book. On opposite sides, at each end of the frames, are secured bent or angular plates M, of sheet metal, which serve to hold the frames in parallel position when the hive is closed. These plates are secured to the frames at their corner-joints, and thus serve the additional purpose of imparting strength and durability to the frames.

Two of the sides of the hives are provided with glazed openings and removable doors N, whereby the interior of the hive may be inspected. The upper edge of the lower section is rabbeted, forming a seat for the upper section, which consists of a rectangular box, P, which contains a set of loose comb-boxes, R, glazed on one side, and provided each with an oblong opening, S, at the bottom, which serves as an entrance for the bees. The bottom of the lower section is rabbeted, similarly to the lower edge of the upper section, and the lower section is of such construction that it may set upon the raised bottom, and, when desired, two or more may be employed, one placed upon the top of the other, to increase the capacity of the hive.

As constructed, it will be perceived that the raised bottom, which may be constructed of a panel of wood secured to the upper part of the ordinary bottom, with its grain running at right angles to the same, will not only serve the purpose of enabling the bees to more conveniently reach the frames, but will leave so little space that the bees will be unable to build combs below the frames, and will also form a firm support for the sides and prevent the bottom from warping.

Having thus described my invention, what I claim, and desire to secure by Letters Patent, is—

1. A bee-hive provided with a raised and hinged bottom, and comb-frames provided with bent sheet-metal plates M, secured on opposite sides at the corners of the frames, over the joints thereof, whereby the parts of the frame are firmly united and kept from striking against each other, substantially as specified.

2. The comb-frames provided with the sheet-metal plates M, secured on opposite sides of each frame at the joints, whereby the parts

of the frames are substantially united and spaced, as set forth.

3. A bee-hive provided with upper and lower bearings for the comb-frames, the lower bearing formed of a bent piece of metal, L, the upper portion of which has perforations for the lower pintles, and the said bearing being fastened to the front of the hive by an upper flange and supported by a lower ledge,

o, against the front edge over the opening, substantially as specified.

In testimony whereof I affix my signature in presence of two witnesses.

CHARLES H. BERNHEIM.

Witnesses:

JOHN LAYDEN,  
H. C. ROTHROCK.