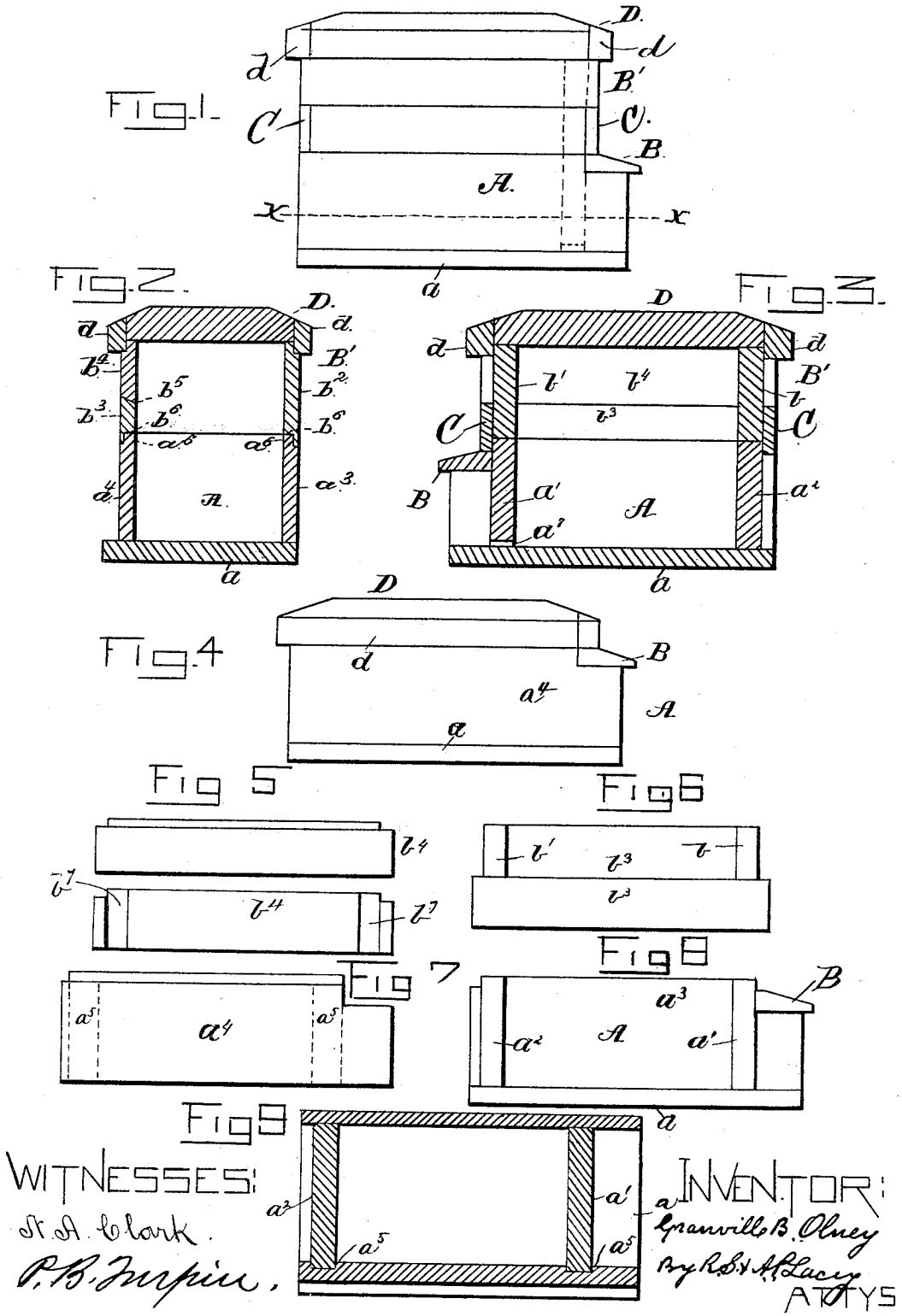


(No Model.)

G. B. OLNEY.  
BEE HIVE.

No. 325,268.

Patented Sept. 1, 1885.



WITNESSES:  
St. A. Clark.  
P. B. Juppier.

INVENTOR:  
Granville B. Olney  
By Robt. H. Lacey  
ATTYS

# UNITED STATES PATENT OFFICE.

GRANVILLE B. OLNEY, OF ATLANTIC, IOWA.

## BEE-HIVE.

SPECIFICATION forming part of Letters Patent No. 325,268, dated September 1, 1885.

Application filed June 30, 1884. (No model.)

*To all whom it may concern:*

Be it known that I, GRANVILLE B. OLNEY, a citizen of the United States, residing at Atlantic, in the county of Cass and State of Iowa, have invented certain new and useful Improvements in Bee-Hives; and I do declare the following to be a full, clear, and exact description of the invention, such as will enable others skilled in the art to which it appertains to make and use the same, reference being had to the accompanying drawings, and to the letters and figures of reference marked thereon, which form a part of this specification.

My invention relates to bee-hives; and it consists in the novel construction hereinafter described.

In the drawings, Figure 1 is a side view of the bee-hive; Fig. 2, a transverse, and Fig. 3 a longitudinal, section thereof. Fig. 4 shows the lower compartment provided with a cap. Fig. 5 shows the upper manipulating piece in front and back view. Fig. 6 shows the upper compartment with the removable side piece detached. Fig. 7 shows the lower removable side; Fig. 8, the lower section with the said side removed; Fig. 9, a longitudinal section on line  $x x$ , Fig. 1.

The lower compartment, A, is composed of base  $a$ , end upright boards,  $a'$   $a''$ , and side boards,  $a^3$   $a^4$ . The base-board  $a$  is extended beyond the front upright in order to provide a lighting-board for the bees, and the side boards are correspondingly extended, so as to protect this lighting portion. A piece, B, extends forward from the front end board of the compartment A over the lighting-board, and is extended laterally to or beyond the extended ends of the side boards. The side board,  $a^3$ , is secured rigidly to the base  $a$  or end boards,  $a'$   $a''$ ; but the board  $a^4$  is removable in order that the combination cases within the lower compartment may be easily manipulated. This side board,  $a^3$ , is provided in its face with grooves  $a^3$   $a^5$ , into which fit the ends of boards  $a'$   $a''$ , forming a close joint, as most clearly shown in Fig. 9. The upper edges of the side boards are rabbeted to form the projections  $a^6$ , on which fit the corresponding formations of the lower edges of the upper compartment or the depending edge boards of the

cap. An opening,  $a^7$ , is formed in the lower edge of the front end board for the passage of the bees into and out of the hive. The upper compartment, B', is bottomless and composed of the end boards,  $b$   $b'$ , the side board,  $b^2$ , secured rigidly to said end boards, the cleat  $b^3$ , rigidly secured to and connecting the lower edges of the opposite ends of the end boards, and the removable piece  $b^4$ . The pieces  $b^3$   $b^4$  together equal the width of the side board,  $b^2$ , and form one side of the upper compartment. The upper edge,  $b^5$ , of the cleat  $b^3$  is beveled inwardly, and the lower edge of the piece  $b^4$  is correspondingly beveled and fitted to edge  $b^5$ , as shown most clearly in Fig. 2. The lower edge of cleat  $b^3$  and side board,  $b^2$ , are rabbeted at  $b^6$  on their inner faces at their lower edges, and fit snugly the projection on the upper edges of the lower compartment, as shown in Fig. 2. Side board,  $b^2$ , and removable piece  $b^4$  are rabbeted on their outer faces at their upper edges to receive the cap D. Battens C C are secured to the end boards,  $b$   $b'$ , and project below said boards and over the upper edges of the end boards of the lower compartment, and covering the end joint between the two compartments, as shown most clearly in Fig. 3. The removable piece  $b^4$  is provided in its inner face with grooves  $b^7$ , similar to those formed in side board,  $a^4$ , and these grooves fit the end boards of the upper compartment, as will be understood. The cap-piece or cover D is fitted onto the hive and provided with depending edge boards,  $d$ , which extend down around the hive and cover the joint between the compartment and hive. The compartments, it will be seen, are alike in cross-section, and, where desired, the upper section may be removed and the cap fitted on the lower section, forming a single-story hive, as shown in Fig. 4. The removable piece of the upper compartment might be made the full height of same and form the complete side, as does the lower removable side; but the upper section being bottomless the cleat  $b^3$  becomes desirable in order to strengthen said upper section.

The honey-cases are placed in the compartments, as will be understood. This may be done in the lower section by removing the upper section or the removable side piece,  $a^4$ , and in the upper section by lifting off the cap-

piece. The cases may be replaced in the same manner.

By means of parts  $a'$   $b'$  the honey frames or cases may be readily examined when desired.

5 The hive, also, it will be seen, is so formed as to close the joints and exclude moths, flies, &c., and the construction is simple, inexpensive, and easily handled.

10 Having thus described my invention, what I claim, and desire to secure by Letters Patent, is—

15 A bee-hive comprising the lower compartment having base  $a$ , end board,  $a'$ , having opening  $a''$ , end board,  $a''$ , side board,  $a'''$ , rabbeted at its upper edge, and removable side board,  $a''''$ , rabbeted at its upper edge and pro-

vided with grooves  $a''$  to receive end boards,  $a''$ , and the upper bottomless compartment composed of the end boards,  $b'$ , side board,  $b''$ , rabbeted on its upper and lower edges, cleat 20  $b'''$ , rabbeted on its lower edge and having beveled upper edge,  $b''''$ , removable piece  $b''''$ , rabbeted on its upper edge and having its lower edge beveled and grooved on its inner face to receive the end boards,  $b'$ , and the cap or 25 cover, substantially as set forth.

In testimony whereof I affix my signature in presence of two witnesses.

GRANVILLE B. OLNEY.

Witnesses:

A. S. CHURCHILL,  
D. BURBON.