

(Model.)

W. O. VINCENT.

BEE HIVE.

No. 337,097.

Patented Mar. 2, 1886.

Fig: 1.

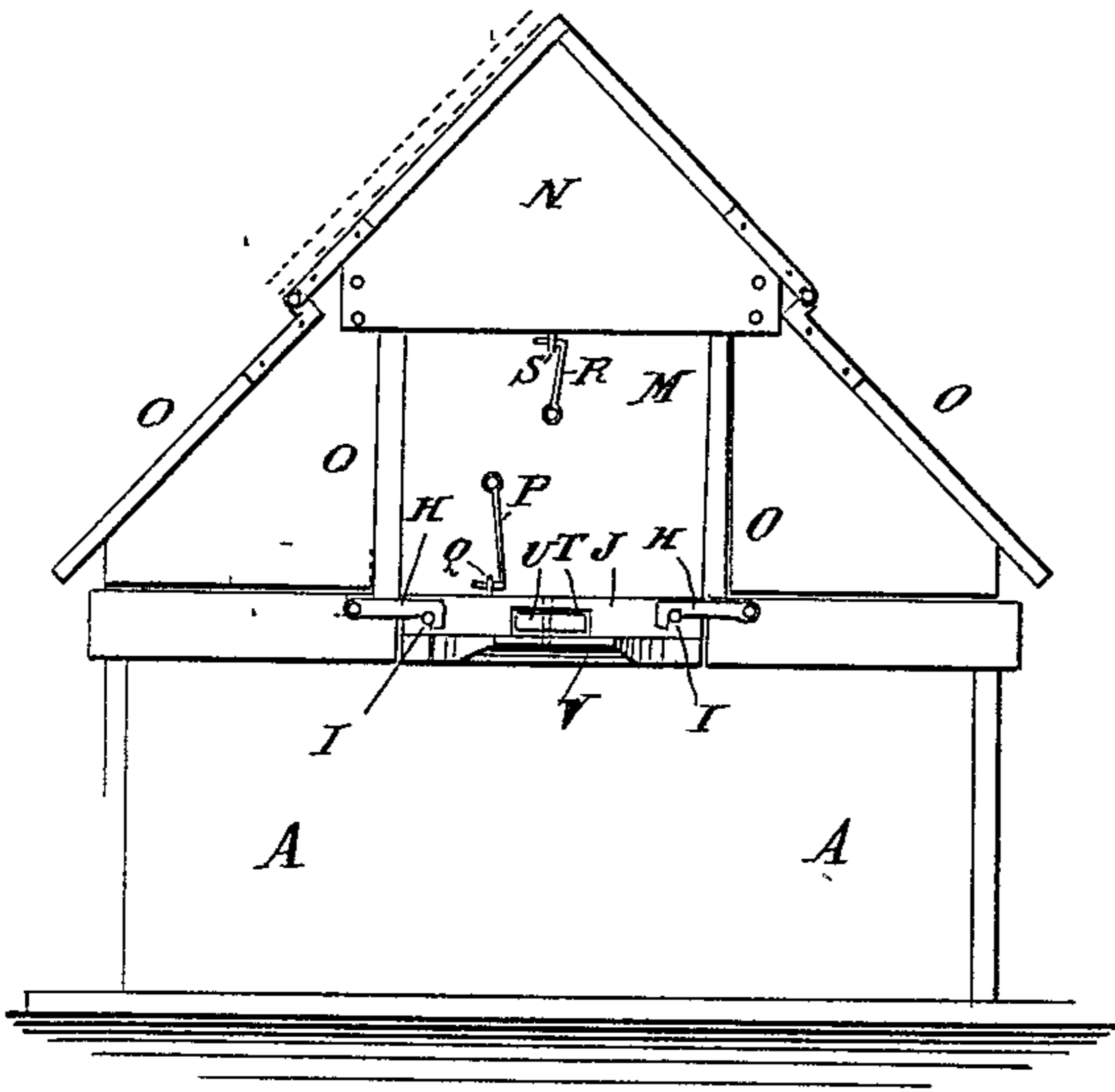


Fig: 2.

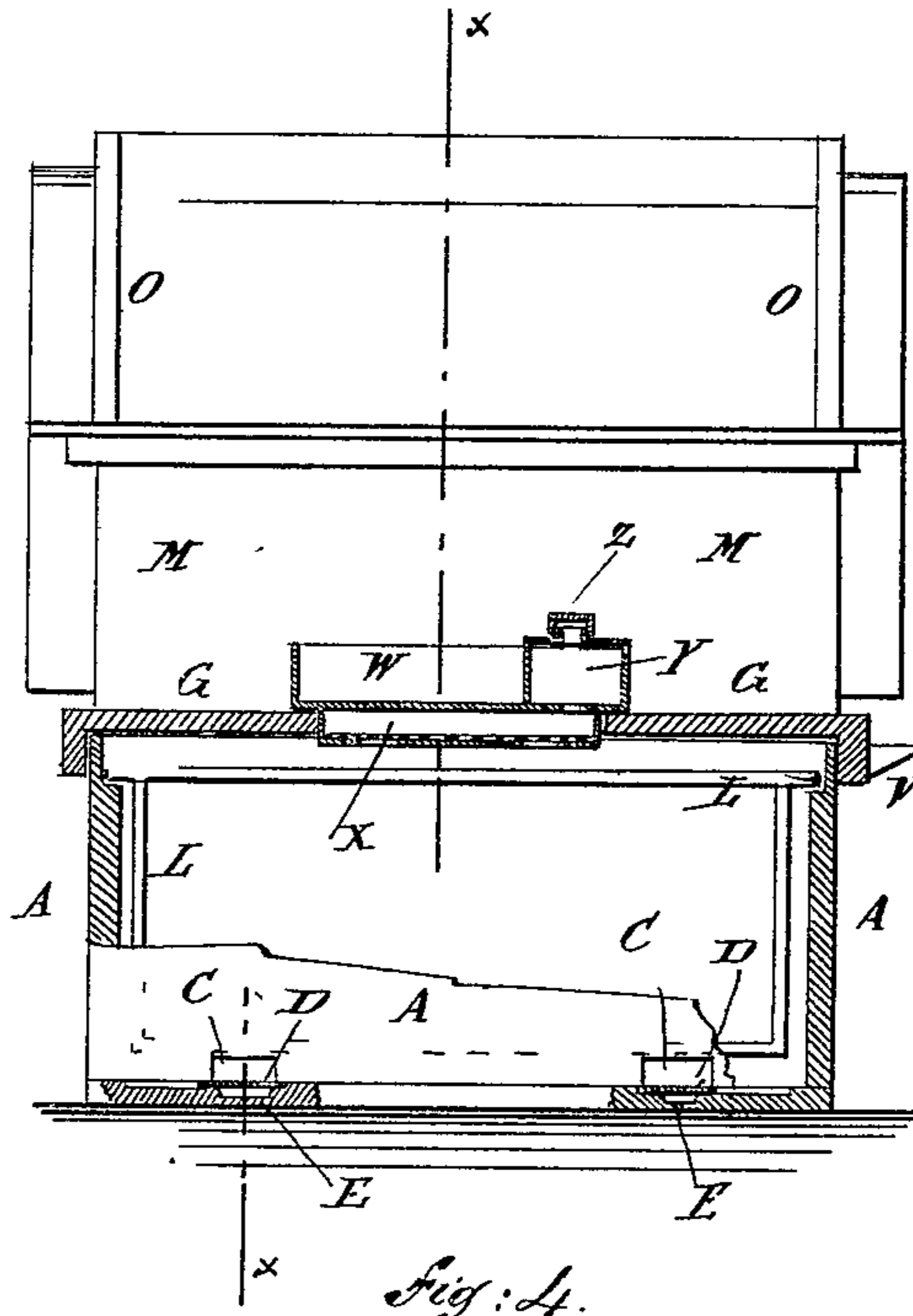


Fig: 3.

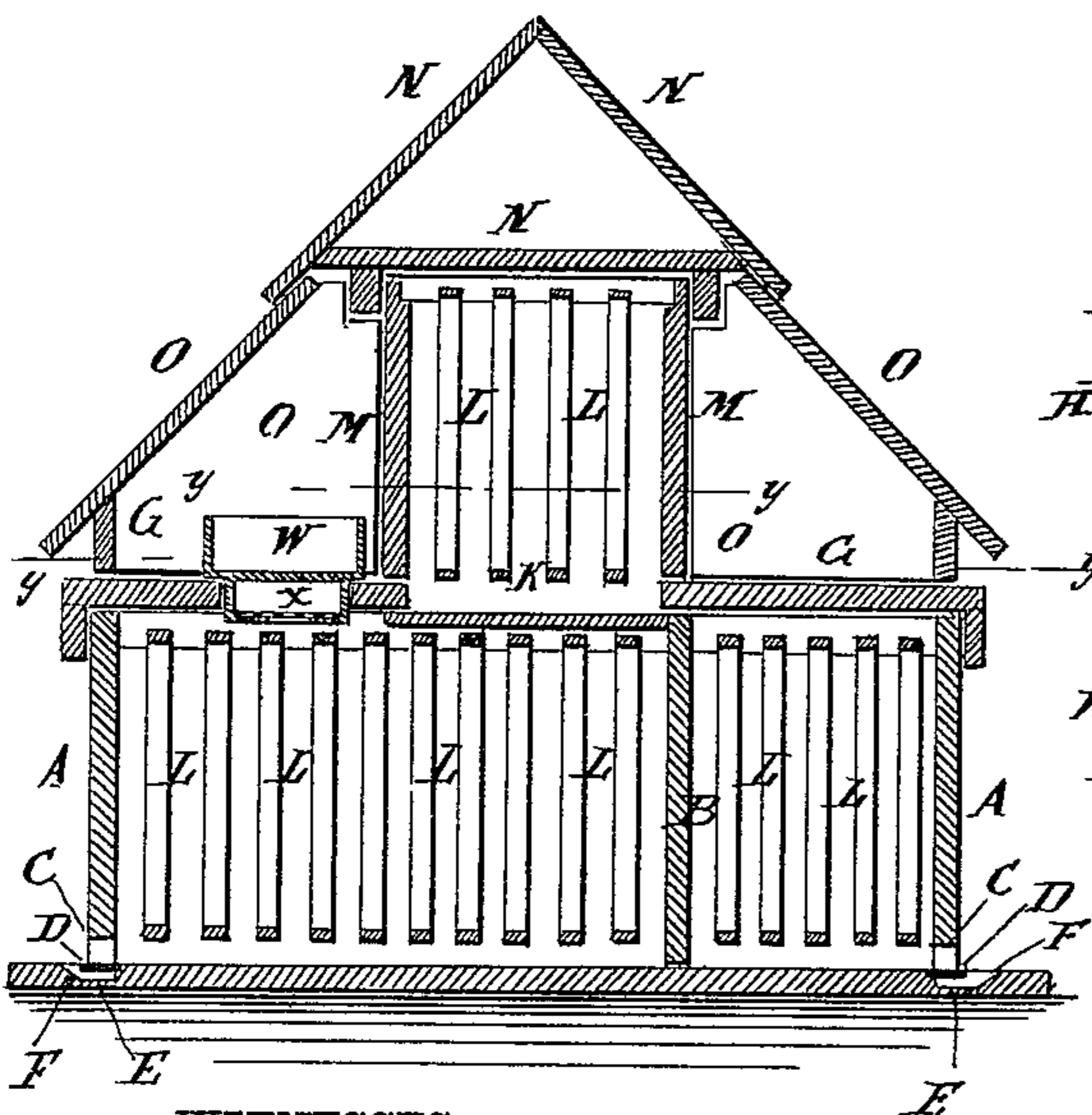
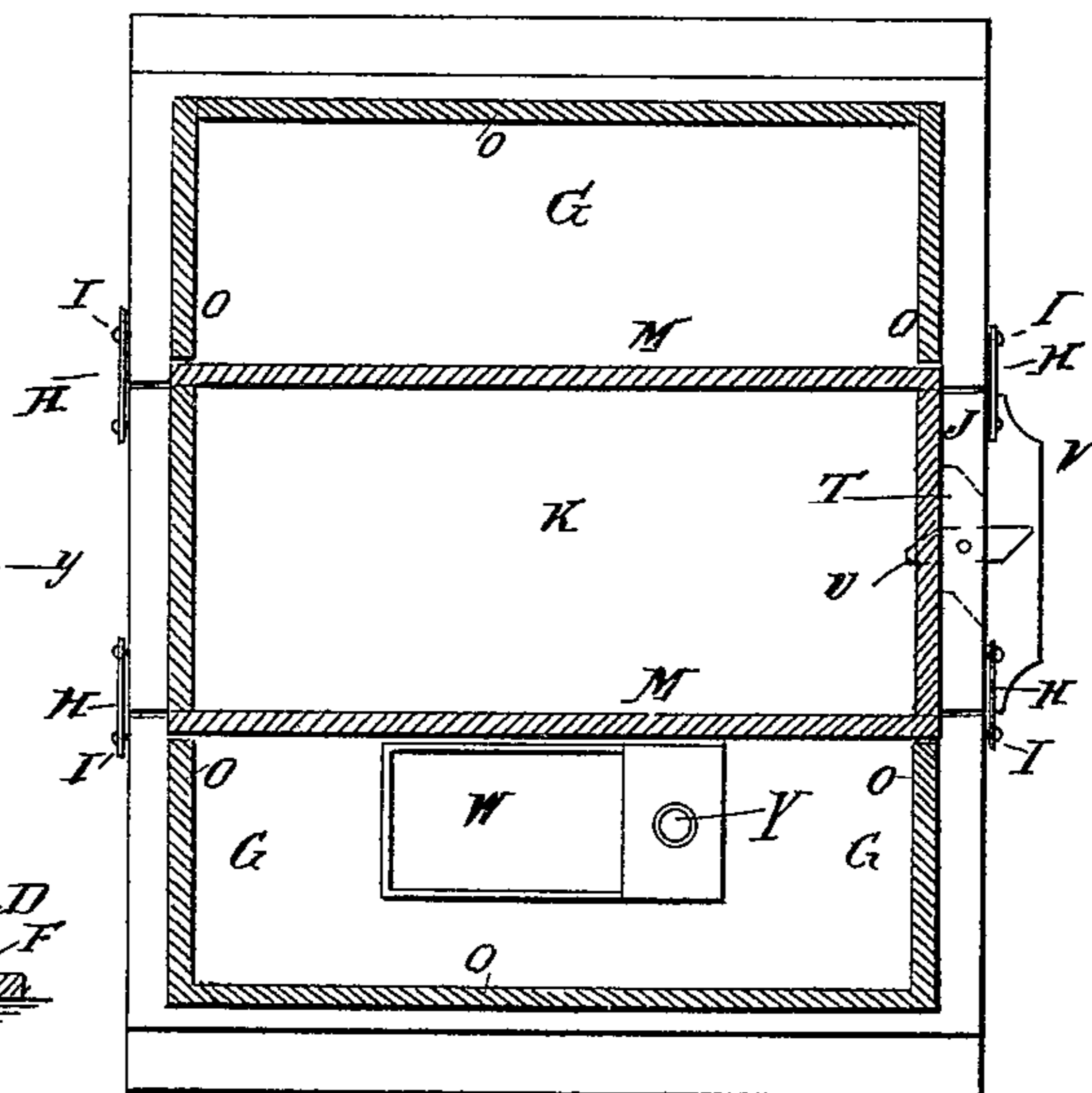


Fig: 4.



WITNESSES:

Chas. Nida.
C. Sedgwick

INVENTOR:

W. O. Vincent
 BY *Munn & Co.*
 ATTORNEYS.

UNITED STATES PATENT OFFICE.

WILLIAM O. VINCENT, OF NEWFOUNDLAND, KENTUCKY.

BEE-HIVE.

SPECIFICATION forming part of Letters Patent No. 337,097, dated March 2, 1886.

Application filed June 1, 1885. Serial No 167 318. (Model.)

To all whom it may concern:

Be it known that I, WILLIAM OSCAR VINCENT, of Newfoundland, in the county of Elliott and State of Kentucky, have invented a new and useful Improvement in Bee-Hives, of which the following is a full, clear, and exact description.

Reference is to be had to the accompanying drawings, forming a part of this specification, in which similar letters of reference indicate corresponding parts in all the figures.

Figure 1 is a side elevation of one of my improved bee hives. Fig. 2 is a front elevation of the same, shown partly in section and with the lower part of the roof folded back. Fig. 3 is a sectional side elevation of the same, taken through the broken line *xx*, Fig. 2. Fig. 4 is a sectional plan view of the same, taken through the broken line *yyyy*, Fig. 3.

The object of this invention is to provide bee-hives constructed in such a manner that the bees can be readily controlled and fed and protected from moths.

The invention consists in the construction and combination of various parts of the hive, as will be hereinafter fully described, and then pointed out in the claims.

A represents the body of the hive, which is provided with a division-board, B, so that the said body A can be divided into two unequal parts, as shown in Fig. 3, to form a brood-chamber and a smaller chamber for raising queens, or into two chambers of equal size to form two brood-chambers, or placed against the front or rear wall to form a single brood-chamber.

In the lower edges of the front and back walls of the hive are formed openings C, through which the bees pass in and out.

Into the bottom of the hive beneath the opening C are sunk small metal plates D, beneath each of which is formed a recess, E. Into each recess E leads a passage, F, the entrance-opening of which is in the bottom of the hive at the outer edge of the plate D. The passages F and the recesses E are made of such a size that moths can enter the said recesses and lay their eggs. The plates D can be slipped into recesses in the lower edges of the walls of the hive to uncover the recesses E, so that the eggs of the moths or the worms, in

case the eggs have hatched, can be readily removed and destroyed.

The front and rear edges of the bottom of the hive project beyond the walls of the hive to serve as platforms for the bees to alight upon and take flight from.

The front and rear parts of the body A of the hive are covered by the feed-boards G, which have downwardly-projecting flanges attached to their outer edges to overlap the upper edges of the walls of the said body A. The feed boards G are further secured in place by hooks H, hinged to the end flanges of the said feed-boards G, and which hook into staples or upon pins I, attached to cleats J, secured to the outer sides of the upper edges of the middle parts of the side walls of the body A.

The middle part of the body A is covered by the honey board K, which rests upon the top bars of the comb frames L, placed in the brood chamber. The comb-frames L throughout the hive are all of the same size and construction, so that the said frames can be changed from one compartment of the hive to another as circumstances may require.

The ends of the top bars of the frames L project beyond the end bars and rest upon shoulders formed by rabbeting the inner sides of the top edges of the walls of the chambers in which the said comb frames are placed.

M is the honey box, which is open at the top and bottom and rests upon the upper edges of the walls of the body A of the hive.

The honey box M is covered by the base board of the middle or upper part, N, of the roof, which is kept in place upon the said honey box M by flanges attached to the said base-board, and which overlap the upper parts of the walls of the said honey box.

To the lower corners of the middle part, N, of the roof or cover are hinged the upper corners of the lower or side parts, O, of the said roof or cover. The side parts, O, of the cover are made of such a size as to cover and inclose the two angular spaces at the sides of the honey-box M and above the feed-boards G, as shown in Figs. 1 and 3.

The honey box M is secured in place by hooks P, hinged to the ends of the said honey-box, and which hook into staples Q, attached to the cleats J, hereinbefore described.

The middle part, N, of the cover is secured to the honey-box M by hooks R, hinged to the said honey-box and hooking into staples S, attached to the said part N of the cover.

5 With this construction by removing the honey-board K the bees can be allowed to pass back and forth between the brood-chamber and the said honey-box.

10 Bees can be allowed to have access to the honey-box M with or without removing the honey-board K through an opening, T, formed through the cleat J, and in which is pivoted a button, U, so that the said opening can be closed by turning the said button parallel with
15 the said cleat, and opened by turning the said button at right angles with the said cleat. The ends of the opening T and of the button U are beveled, as indicated in Fig. 4, so that the said button will close the said opening
20 tightly. To the lower part of the cleat J is attached a flange, V, to serve as a platform for the bees to alight upon and take flight from.

25 With this construction, by placing the division board B at or near the center of the body A of the hive, the hive may be used to receive three distinct swarms of bees. By placing the division-board B close to one of the walls of the body A of the hive the said
30 body will form a single large chamber, with one entrance, the other entrance being closed by the said division board.

35 In an opening in one or both the feed-boards G is placed the food receiver, which is made with an open trough, W, in its upper part to receive candy or other dry food, and a chamber, X, in its lower part for sirup or other liquid food. The bottom of the chamber X has two or more openings formed through it,
40 which openings are covered with fine wire-gauze, through which the liquid is drawn by the bees.

45 In one end of the trough W is formed a chamber, Y, through which liquid food is introduced, through the bottom of which is

formed an opening into the chamber X. In the top of the chamber Y is formed an opening having a collar, which is provided with an air tight screw-cap, Z, to prevent the liquid food from flowing out through the gauze-
50 covered openings in the bottom of the chamber X.

Liquid food can be placed in the trough W by placing upon its surface wire-gauze supported by floats to prevent the bees from getting into the liquid and being drowned.
55

Having thus fully described my invention, I claim as new and desire to secure by Letters Patent—

1. A bee hive constructed substantially as
60 herein shown and described, and consisting of the body A, having entrance-openings at the lower edges of both front and rear walls, and provided with an adjustable division-board, the removable feed boards G and honey-
65 board K, covering the said body, the honey-box M, placed over the middle part of the hive body, and the cover N O, made in three parts hinged to each other and resting upon
70 and covering the honey box and the feed-boards, substantially as herein shown and described.

2. In a bee-hive, the combination, with the body A of the hive and the honey-box M, of the cleat J, having opening T, and provided
75 with a button, U, pivoted in the said opening, and a flange, V, attached to the said cleat, substantially as herein shown and described.

3. In a bee-hive, the combination, with the feed-board G and the body A of the hive, of
80 the food receiver made with a trough, W, and a chamber, X, having gauze-covered bottom openings and provided with an inlet chamber, Y, having screw-cap Z, substantially as herein shown and described.

WILLIAM O. VINCENT.

Witnesses:

JAMES D. JONES,
HARVEY M. BOWLING.