

(No Model.)

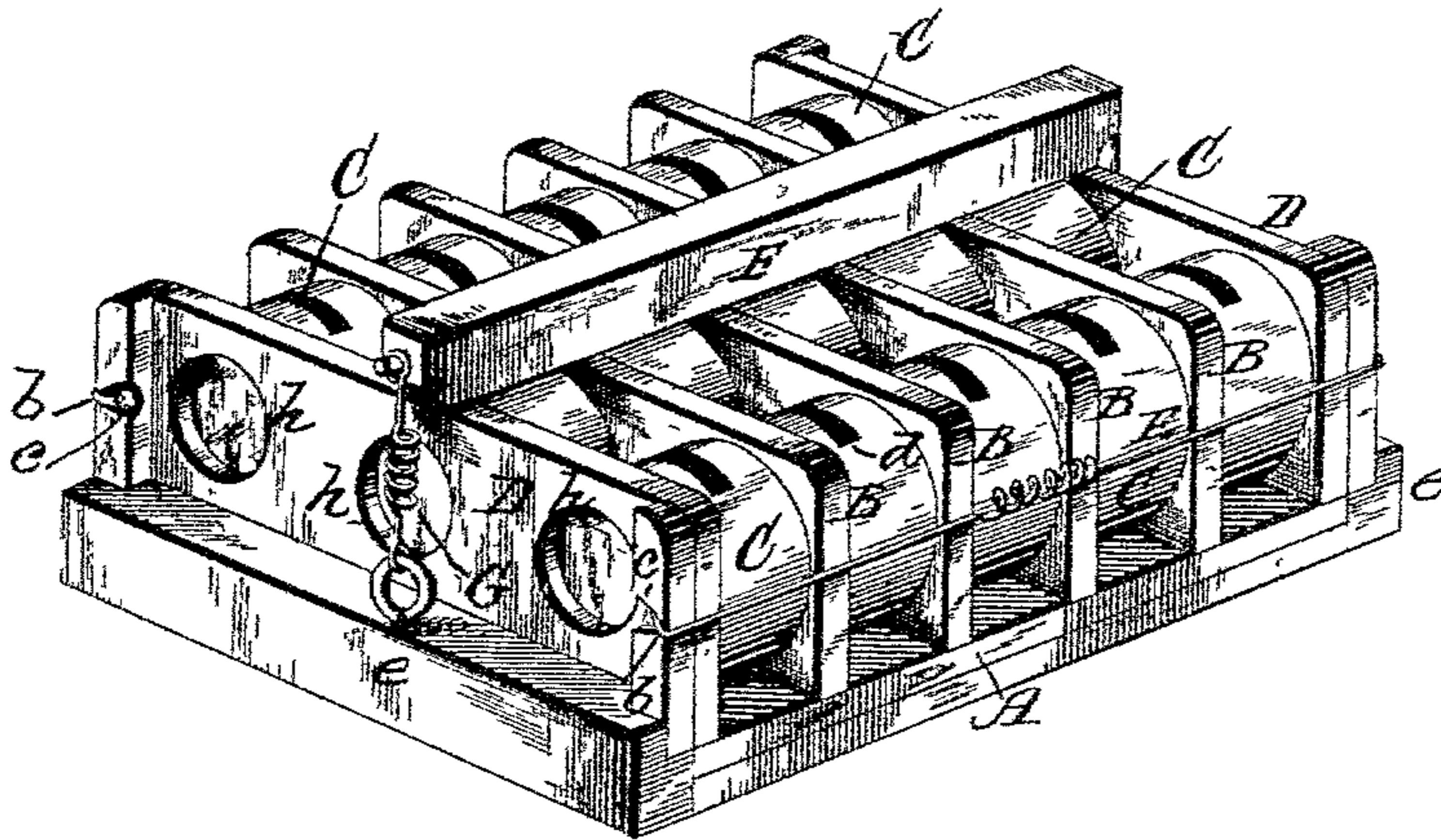
D. K. BARNHART.

HONEY SECTION FOR BEE HIVES.

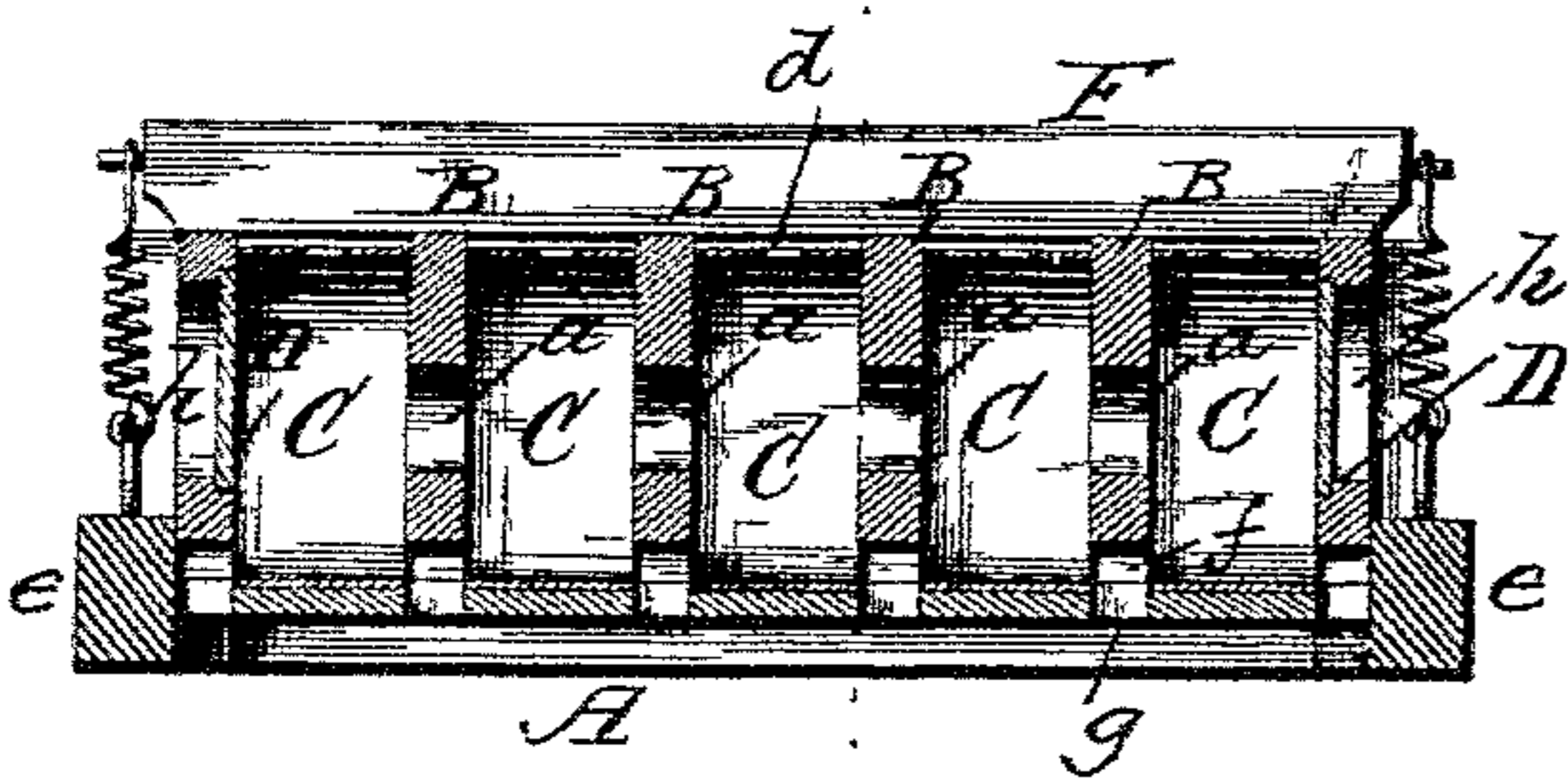
No. 356,817.

Patented Feb. 1, 1887.

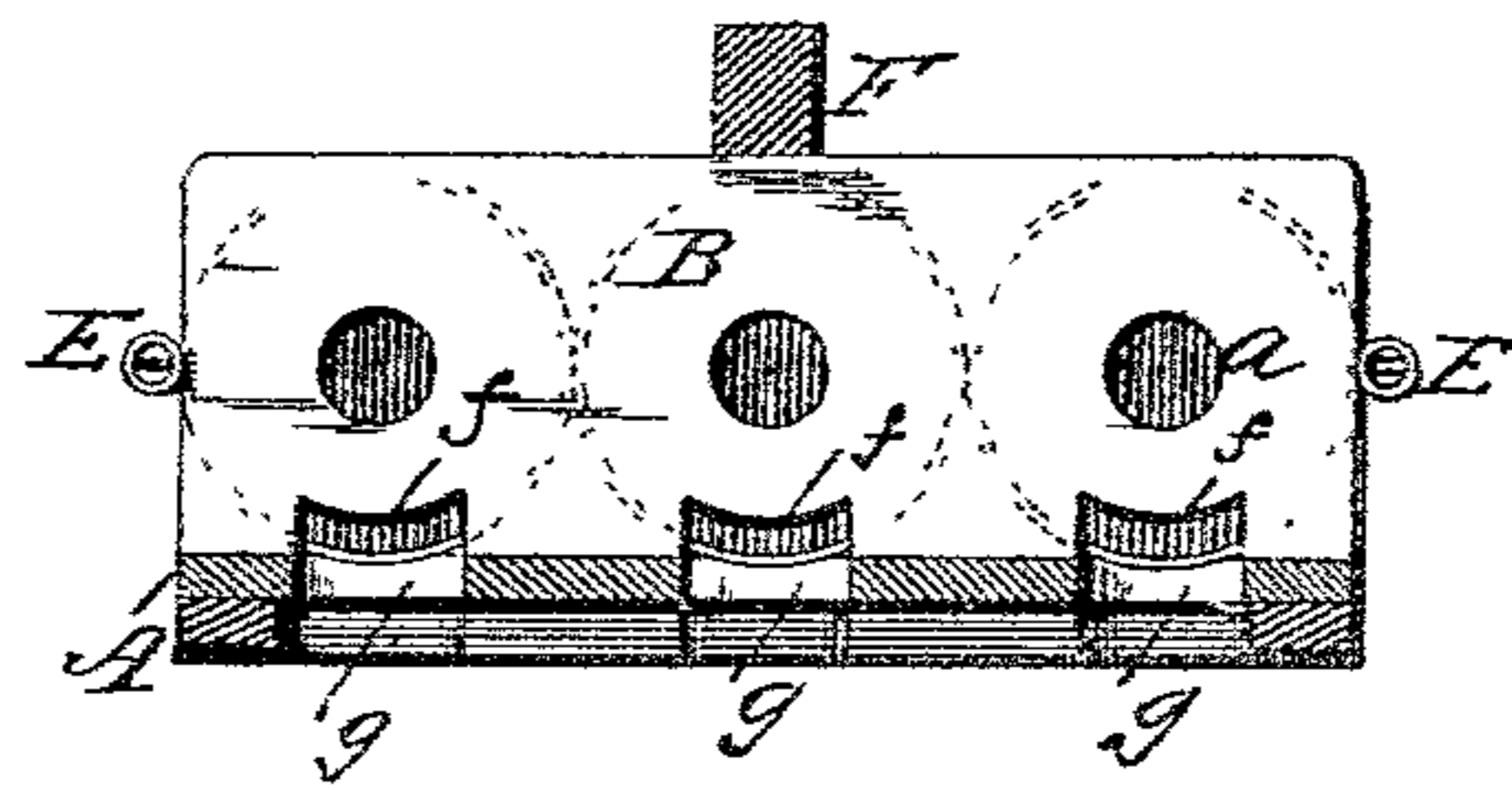
*Fig. 1*



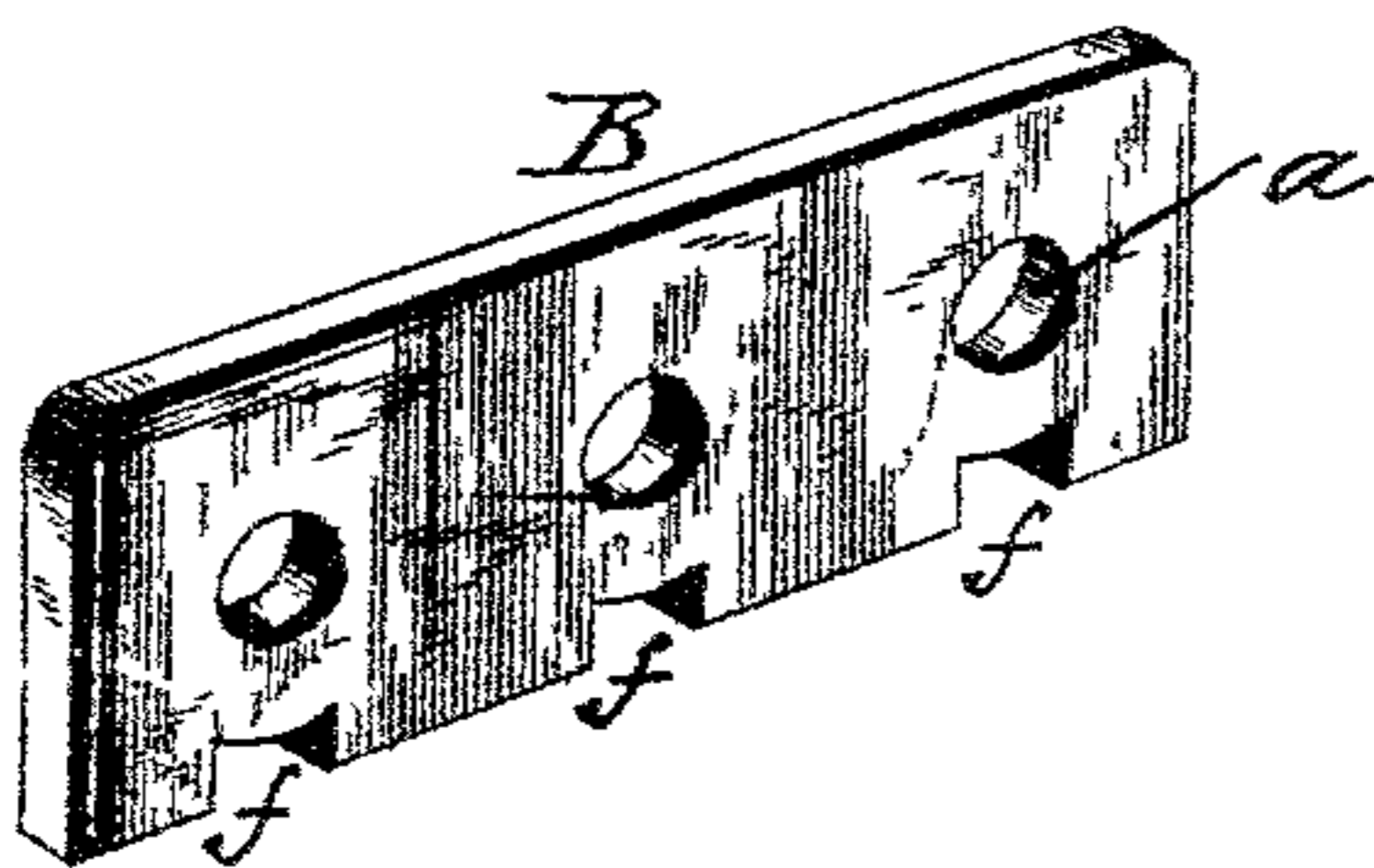
*Fig. 2*



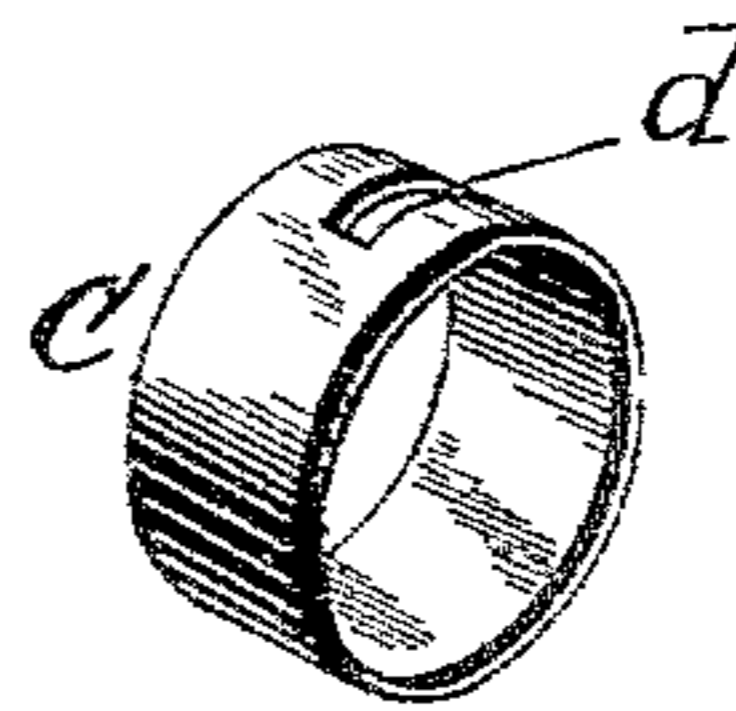
*Fig. 3*



*Fig. 4*



*Fig. 5*



Witnesses:  
 Chas. J. Williamson.  
 L. L. Miller

Inventor:  
 Daniel K. Barnhart.  
 per Cha. M. Fowler.  
 Attorney.

# UNITED STATES PATENT OFFICE.

DANIEL K. BARNHART, OF GAINES, PENNSYLVANIA.

## HONEY-SECTION FOR BEE-HIVES.

SPECIFICATION forming part of Letters Patent No. 356,817, dated February 1, 1887.

Application filed August 14, 1886. Serial No. 210 907. (No model.)

*To all whom it may concern:*

Be it known that I, DANIEL K. BARNHART, a citizen of the United States, residing at Gaines, in the county of Tioga and State of Pennsylvania, have invented certain new and useful Improvements in Honey Sections for Bee Hives; and I do hereby declare that the following is a full, clear, and exact description of the same, reference being had to the annexed drawings, making a part of this specification, and to the letters and figures of reference marked thereon.

Figure 1 of the drawings is a perspective view of my invention; Fig. 2, a longitudinal section thereof; Fig. 3, a transverse section; Fig. 4, a perspective view in detail of one of the division boards, and Fig. 5 a similar view of one of the rings forming the chamber between the division boards.

The present invention has for its object to provide a honey box or section for bee hives; and it consists in the details of construction, substantially as shown in the drawings, and hereinafter described and claimed.

In the accompanying drawings, A represents a base or suitable support, which is provided with a series of removable division-boards, B, between which are clamped rings C, which form chambers communicating with each other through openings *a* in the division boards B. The several rings are held together by means of the end sections, D, which fit down upon the base or support A, and are retained against the outer ones of the rings C by means of spring clamping rods E, hooked at their outer ends, as shown at *b*, to engage with grooves *c* on the ends of the sections D.

The rings may be of any suitable number and arranged in parallel rows, each ring at its top having an opening, *d*, which constitutes an entrance for the bees to the interior of the ring. The base or support A is raised above the bottom of end strips, *e*, so as to form a space between the top of the hive and the under side of the base or sup-

port, so that the bees can have free access to the chambers formed by the rings C and the division-boards B, openings *f* being formed in the lower edges of the division-boards, so as to form passages to the chambers, said openings being directly over similar openings, *g*, in the base or support A, thereby forming a continuous passage from under the base or support to each chamber. The end sections, D, have openings *h*, covered with glass panels, so as to see the interior of the end chambers.

A longitudinal clamp, F, which rests upon the upper edge of the division boards B and end sections, D, holds them firmly down upon the base or support A by means of the spring-arms G, which are connected to the ends of the clamp and to the end strips, *e*, in any well known manner that will admit the clamp being disconnected from the spring arms when the several parts of the device are required to be disconnected from each other for the purpose of cleaning.

Having now fully described my invention, what I claim as new, and desire to secure by Letters Patent, is—

In a honey box for bee hives, a suitable base provided with openings, as shown, a series of division boards formed with openings at or near their centers, and also at their lower edges, and suitable end sections, in combination with a series of rings having openings at their tops and located between the division boards to form honey chambers, spring clamping rods for holding the end sections against the rings, and a clamp and spring arms for holding the end sections and division boards down upon the base or support, substantially as and for the purpose set forth.

In testimony that I claim the above I have hereunto subscribed my name in the presence of two witnesses.

DANIEL K. BARNHART.

Witnesses:

WM. G. SEARS,  
R. T. MARTIN.