

(No Model.)

2 Sheets—Sheet 1.

W. J. DANIEL.  
DEVICE FOR HIVING BEES.

No. 386,968.

Patented July 31, 1888.

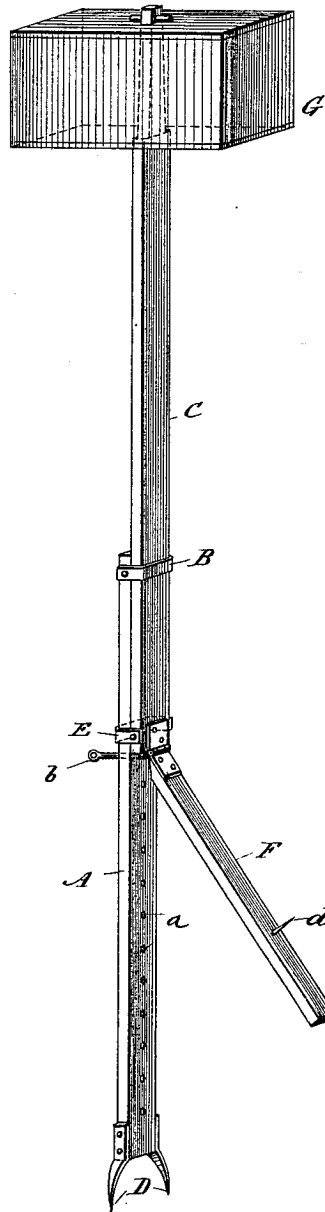


Fig. 1.

WITNESSES:  
*D. C. Reusch*  
*C. Sedgwick*

INVENTOR:  
*W. J. Daniel*  
BY *Munn & Co*  
ATTORNEYS.

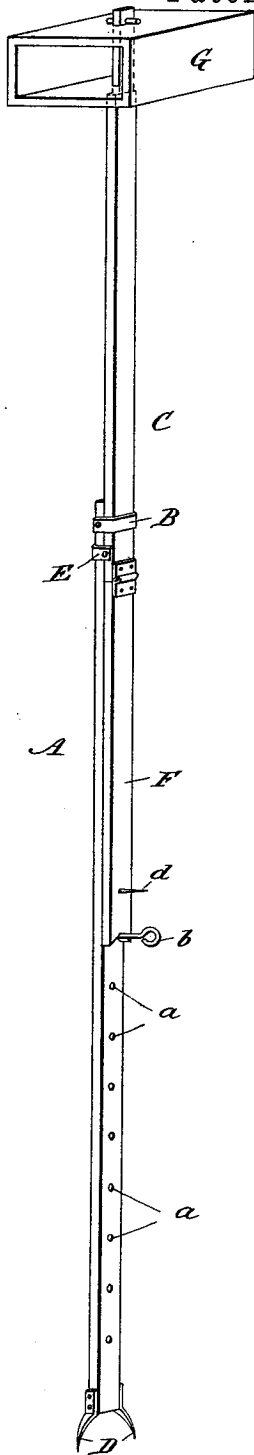
(No Model.)

2 Sheets—Sheet 2.

W. J. DANIEL.  
DEVICE FOR HIVING BEES.

No. 386,968.

Patented July 31, 1888.



*Fig. 2.*

WITNESSES:  
*D. C. Reusch*  
*C. Sedgwick.*

INVENTOR,  
*W. J. Daniel.*  
BY *Munn & Co.*

ATTORNEY.

# UNITED STATES PATENT OFFICE.

WILLIAM J. DANIEL, OF JEFFERSONVILLE, KENTUCKY.

## DEVICE FOR HIVING BEES.

SPECIFICATION forming part of Letters Patent No. 386,968, dated July 31, 1888.

Application filed October 26, 1887. Serial No. 253,442. (No model.)

*To all whom it may concern:*

Be it known that I, WILLIAM J. DANIEL, of Jeffersonville, in the county of Montgomery and State of Kentucky, have invented an Improvement in Devices for Hiving Bees, of which the following is a full, clear, and exact description.

The object of my invention is to provide a practical and cheap device whereby bees that swarm on the limbs of trees or in other high places may be conveniently hived; and my invention consists of a box or hive-supporting standard constructed to be extended to different lengths and locked at the proper position, as hereinafter described and claimed.

Reference is to be had to the accompanying drawings, forming a part of this specification, and in which similar letters of reference indicate like parts in both the figures.

Figure 1 is a perspective view of my invention, and Fig. 2 a similar view showing the same extended for use.

A represents a standard provided with the guide-loop B near its upper end for holding the sliding section C. The lower end of the standard A is provided with the points D, to enter the ground to prevent the device from slipping. The sliding section C is provided with the loop E, to clasp the standard A, as shown in the drawings, and at its lower end is

hinged the extension-piece F, that serves as a handle for sliding the upper section, C, upward to the top of the standard A, or as near the top as required to elevate the box G at the top of the section C in close proximity to the swarm of bees.

The standard A is provided with a series of holes, *a a*, to receive the pin *b* for holding the upper sliding section, C, at any desired position.

The extension-piece F is provided with a sharp pin, *d*, to strike into the upper section, C, for holding the piece F in folded position against the said section when not in use.

By removing the pin *b* the section C may be lowered after the bees have entered the box G.

Having thus described my invention, what I claim as new, and desire to secure by Letters Patent, is—

The standard A, provided with the series of holes *a a* at its lower end and provided with the loop B at its upper end, in combination with the sliding section C, box G, loop E, hinged extension or handle F, and supporting-pin *b*, substantially as and for the purposes set forth.

WILLIAM J. DANIEL.

Witnesses:

JOE A. STEPHENS,  
JNO. E. WARMLY.