

(No Model.)

3 Sheets—Sheet 1.

T. M. COBB.

BEE HIVE.

No. 388,761.

Patented Aug. 28, 1888.

Fig. 1

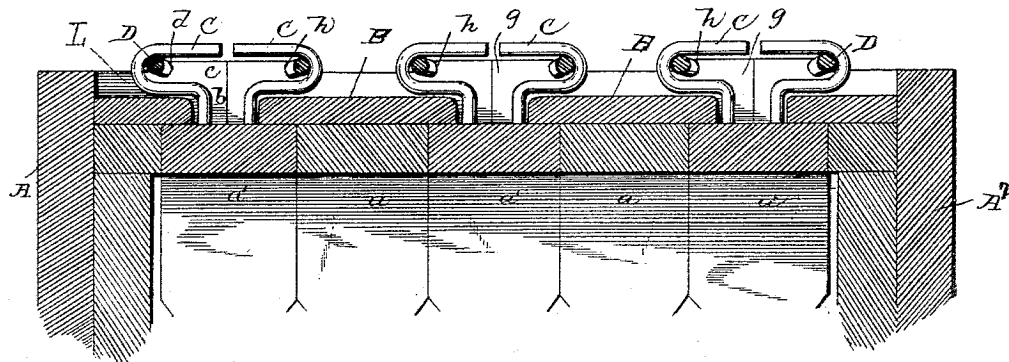
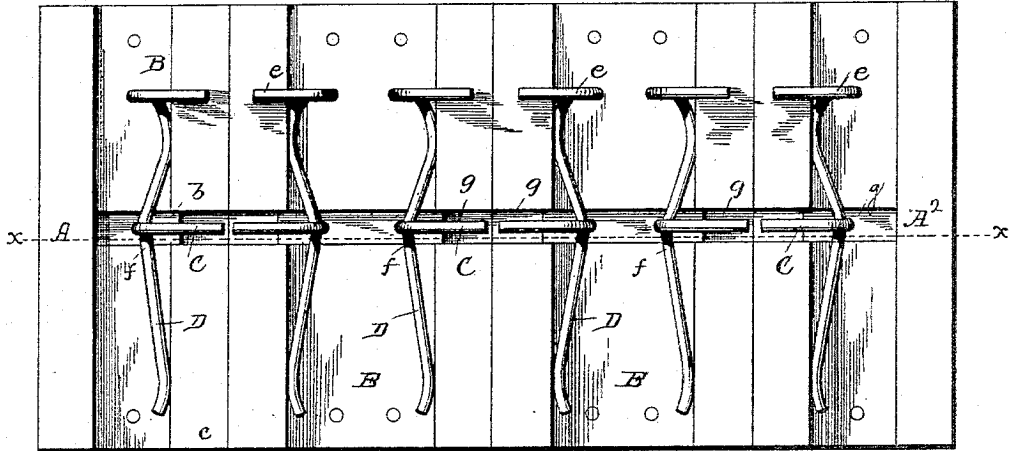


Fig. 2

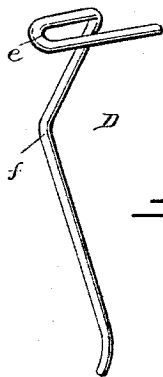


Fig. 3

Witnesses.

*Albert Speiden.*  
*Alfred T. Sage.*

Inventor.  
*Thomas M. Cobb.*

By his Attorney  
*Franklin F. Douglass.*

(No Model.)

3 Sheets—Sheet 2.

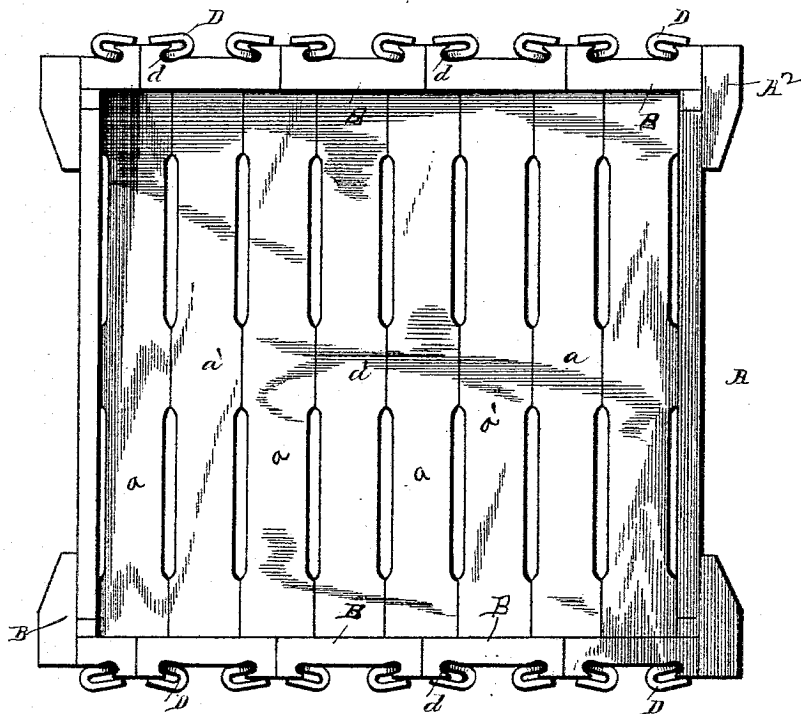
T. M. COBB.

BEE HIVE.

No. 388,761.

Patented Aug. 28, 1888.

Fig. 5



Witnesses,

*Albert Speiden,*  
*E. H. Law.*

Inventor,  
*Thomas M. Cobb.*

By his Attorney

*Franklin A. Hough.*

(No Model.)

3 Sheets—Sheet 3.

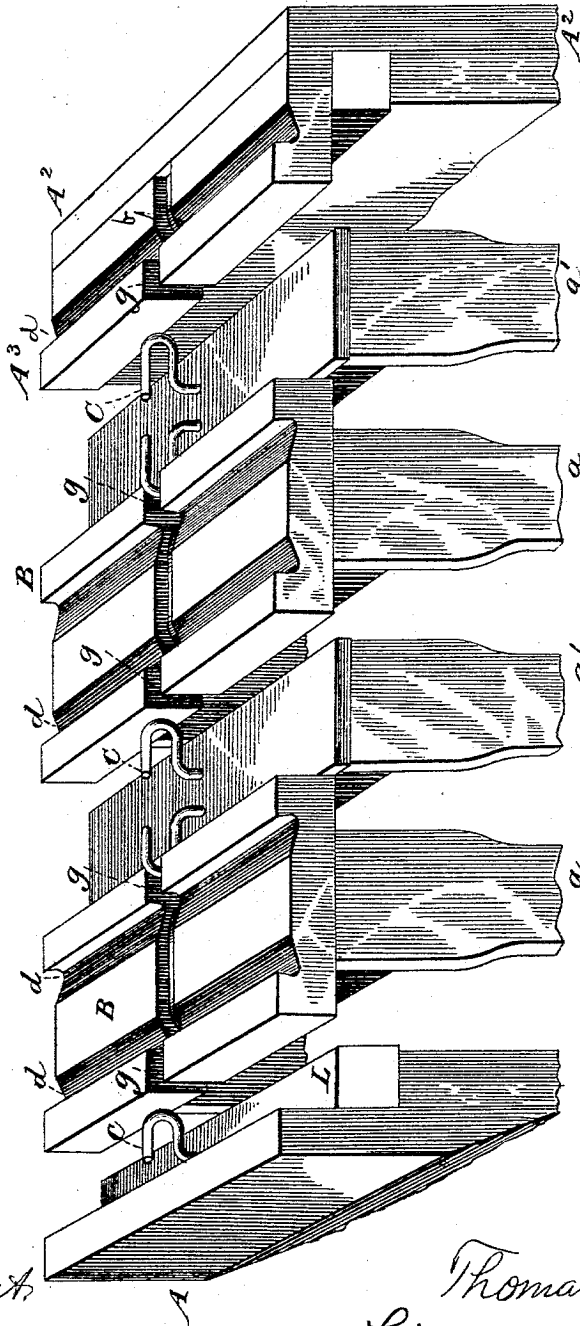
T. M. COBB.

BEE HIVE.

No. 388,761.

Patented Aug. 28, 1888.

Fig. 5.



Witnesses,  
*A. Ruppert*  
*H. Clarence, Moore*

Inventor,  
*Thomas M. Cobb*  
 By his Attorney  
*Franklin H. Hough*

(No Model.)

3 Sheets—Sheet 3.

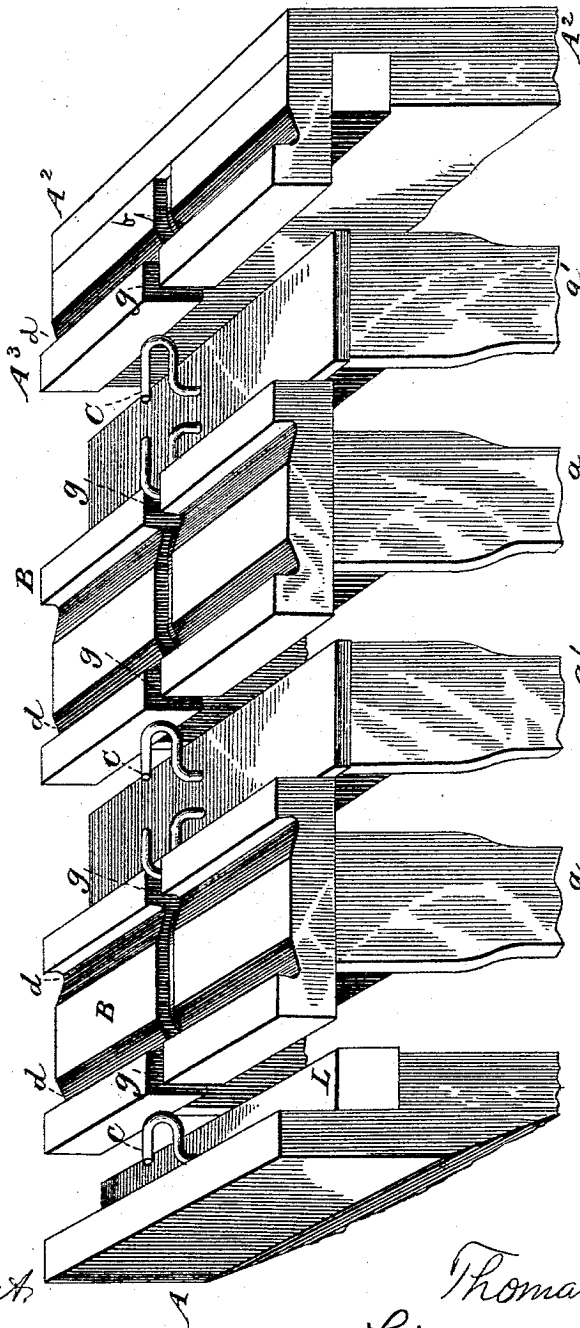
T. M. COBB.

BEE HIVE.

No. 388,761.

Patented Aug. 28, 1888.

Fig. 5.



Witnesses,  
*A. Ruppert*  
*H. Clarence, Moore*

Inventor,  
*Thomas M. Cobb*  
 By his Attorney  
*Franklin H. Hough*

scribed, and the keeper formed with cam-surface engaging said hook and seated in said channel, substantially as described.

3. The combination, with the side  $A^2$  of the surplus-honey chamber having a flange formed with channel  $d$  and slot  $b$ , of the sections  $a'$ , provided with staples or hooks, as shown, the plates B, formed with slots and channels, and the keepers formed of wire bent to form the

cam-surface  $f$ , substantially as and for the purpose specified.

In testimony whereof I affix my signature in presence of two witnesses.

THOMAS M. COBB.

Witnesses:

CHAS. E. HOGADORN,

W. J. FORTIER.