

(No Model.)

H. D. DAVIS,
HONEY BOX.

No. 394,160.

Patented Dec. 11, 1888.

Fig. 1

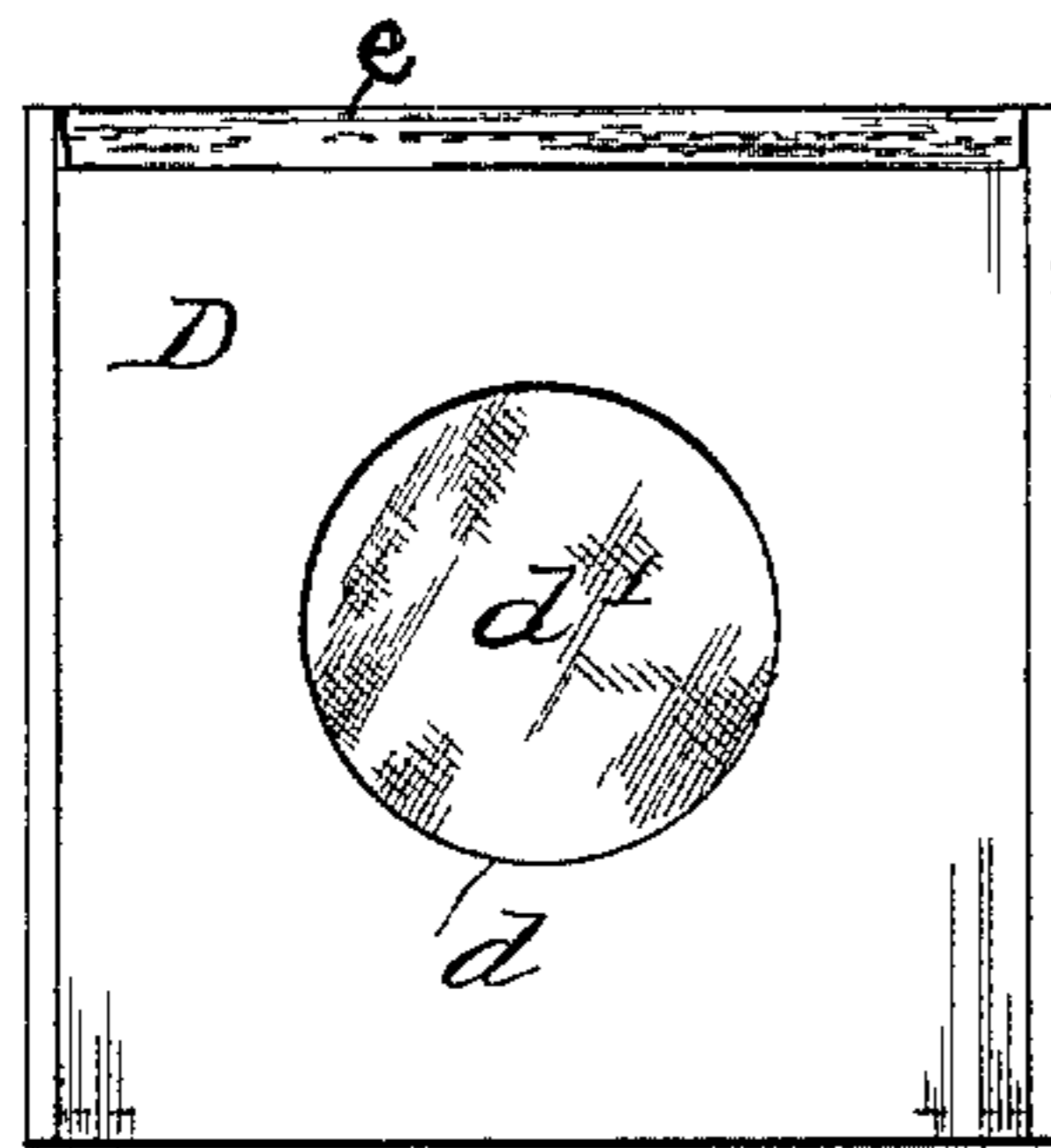


Fig. 2

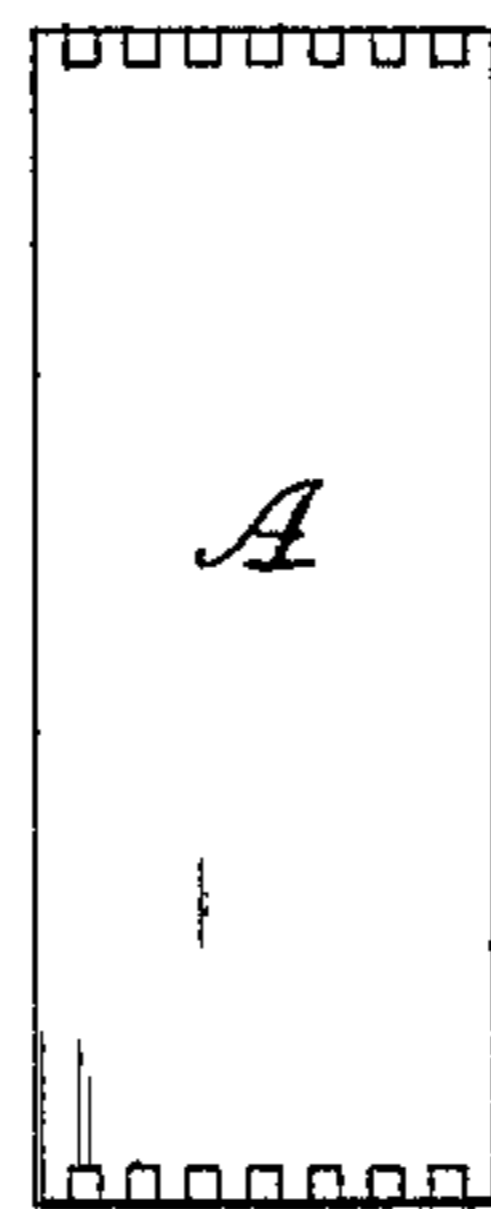
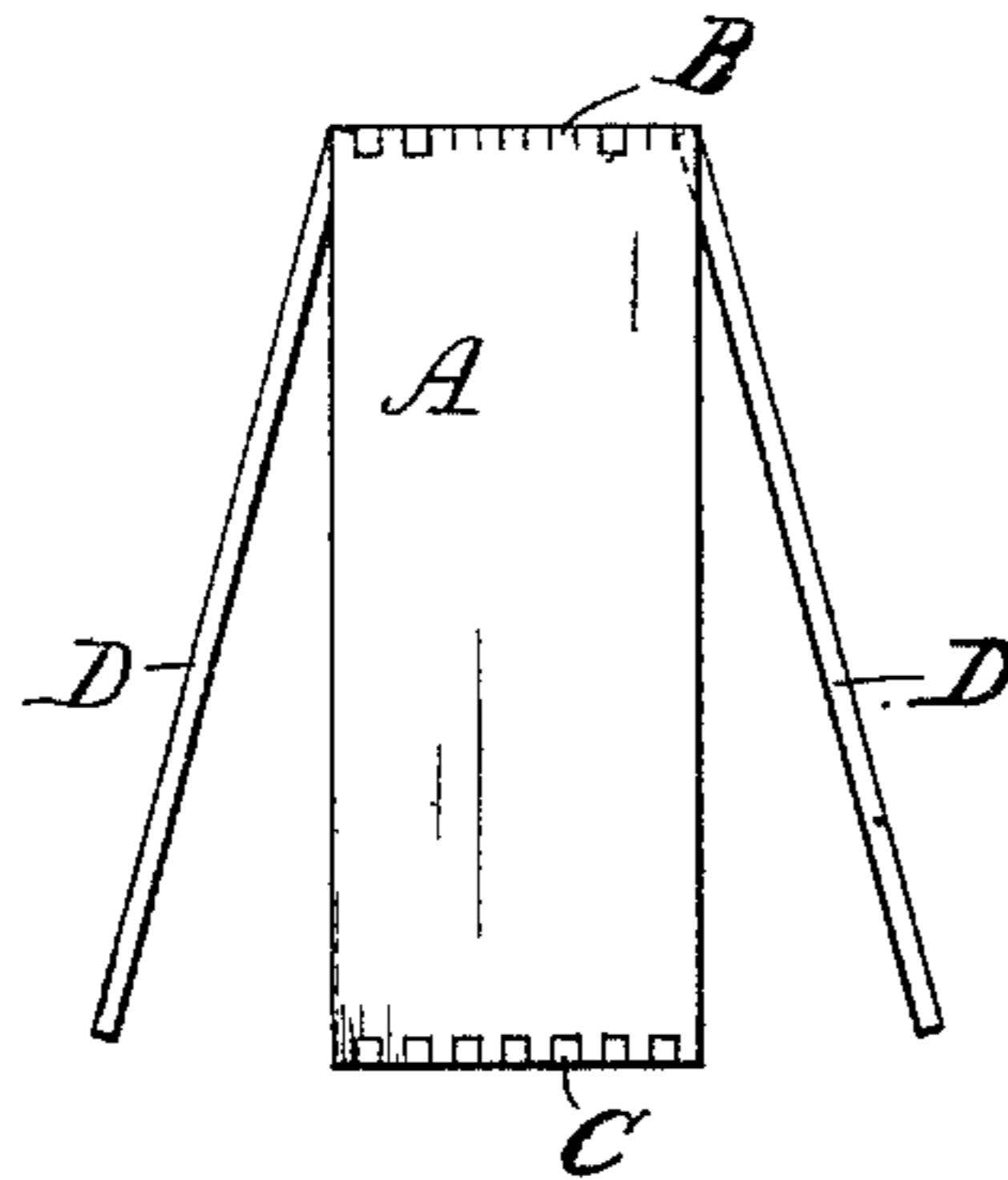


Fig. 3



Witnesses

F. A. Merrill.
W. B. Howe.

Inventor.

H. D. Davis.
By J. B. Thurston,
Attorney.

UNITED STATES PATENT OFFICE.

HILAS D. DAVIS, OF BRADFORD, VERMONT.

HONEY-BOX.

SPECIFICATION forming part of Letters Patent No. 394,160, dated December 11, 1888.

Application filed January 8 1887 Serial No. 223,748 (No model)

To all whom it may concern:

Be it known that I, HILAS D. DAVIS, a citizen of the United States, residing at Bradford, in the county of Orange and State of Vermont, have invented certain new and useful Improvements in Honey Boxes, of which the following is a specification.

The object of this invention is to provide a honey box for bee hives which combines the advantages of simplicity and economy of construction, facility of inspection and access to the honey, and protection of the latter from dust.

In the accompanying drawings, Figure 1 is a side elevation of this improved honey box. Fig. 2 is an end elevation thereof with the sides closed. Fig. 3 is an end elevation thereof with the hinged sides partially open.

Similar letters of reference indicate corresponding parts in the different figures.

This improved honey box comprises two parallel end boards, A, a top board, B, a bottom board, C, and sides D hinged to the top board. The ends A are preferably united to the top B and bottom C by dovetail joints. The ends A are wider than the top and bottom, the difference in width being equal to the thickness in the sides. The sides D are hinged to the top B and close upon the edges of the top and bottom flush with the edges of the ends. A label, e, composed of paper or other flexible material, is cemented over the top B and extends downward over the upper

projections of the sides D, being also cemented to said sides and constituting hinges therefor. One of the sides D is provided with an opening which is closed by a transparent sheet, d', of mica, which is glued to the inner face of the side.

Having thus described my invention, what I claim is

1. The honey box section herein described, provided with a mica-covered opening, and consisting of the parallel ends A, the top B, the bottom C, and the sides D, the top and bottom being narrower than the ends, and the sides being hinged to the top at opposite edges thereof by flexible hinges and adapted to close flush with the edges of the ends, substantially as described.

2. The honey-box section herein described, provided with a mica covered opening, and consisting of the parallel ends A, the top B, the bottom C, and the sides D, the top and bottom being narrower than the ends, and a label cemented to the top and extending over and cemented to the upper portions of the sides and serving as hinges therefor, said sides closing flush with the edges of the ends, substantially as described.

In testimony whereof I affix my signature in presence of two witnesses.

HILAS D. DAVIS.

Witnesses:

ROSWELL FARNHAM,
GEORGE A. DICKEY.