

(No Model.)

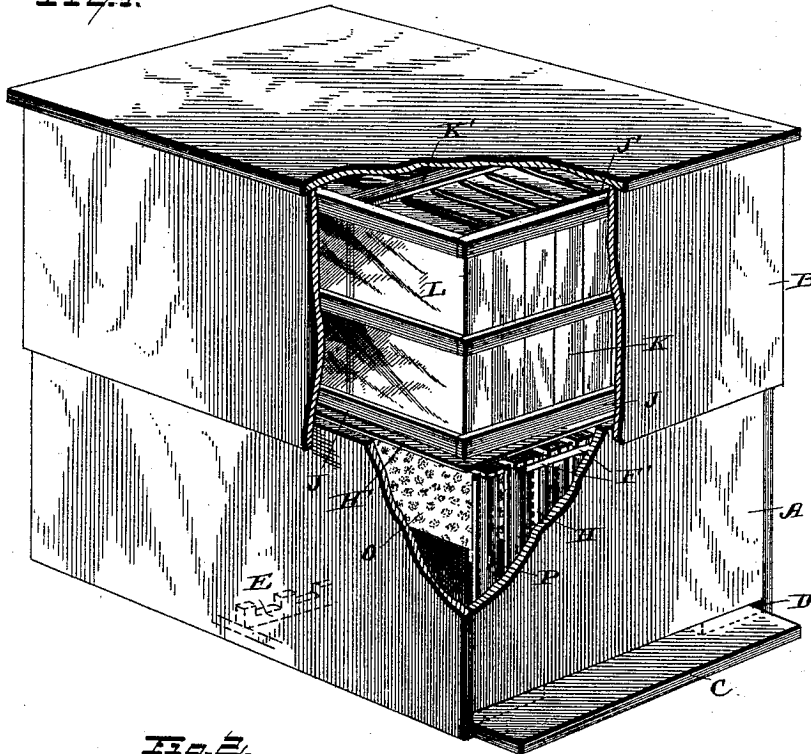
2 Sheets—Sheet 1.

# L. V. HOPKINS. BEE HIVE.

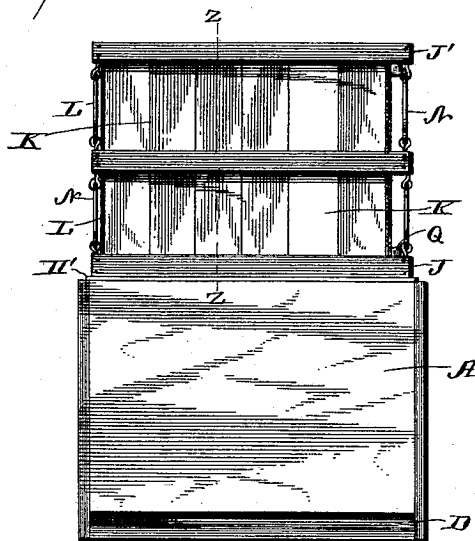
No. 427,993.

Patented May 13, 1890.

*Fig. 1.*



*Fig. 2.*



WITNESSES

L. C. Hills  
 W. L. Lacey

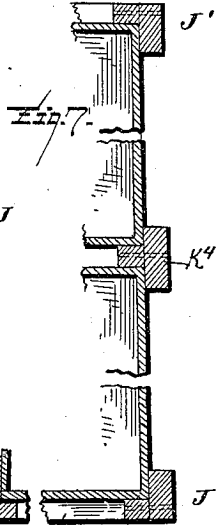
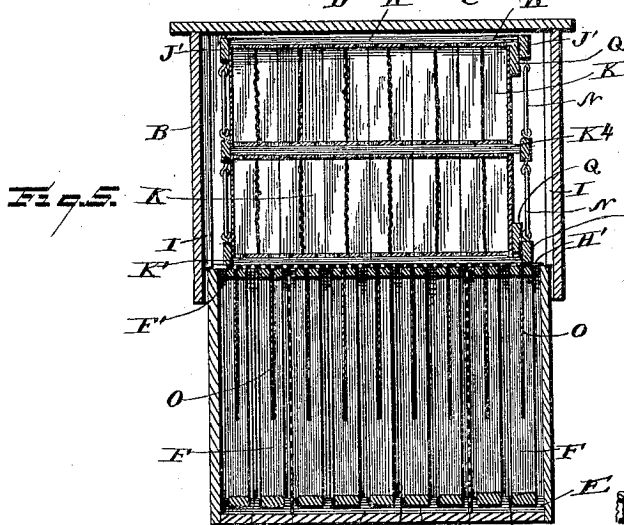
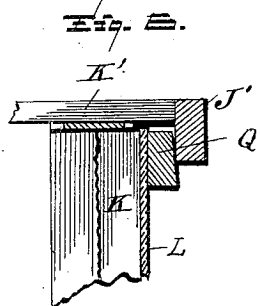
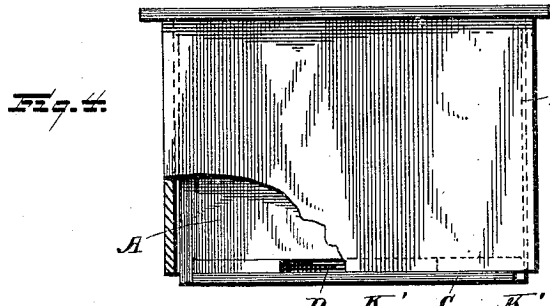
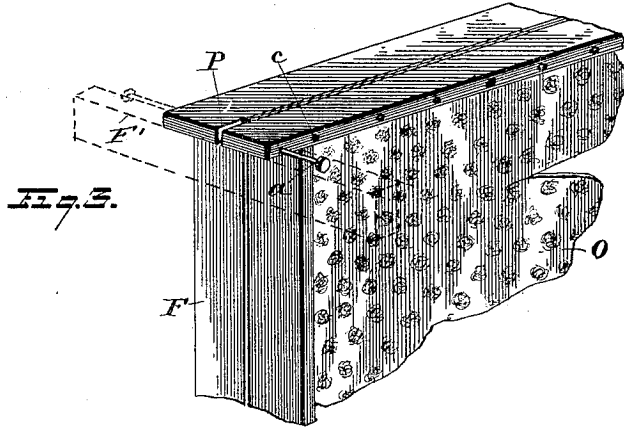
INVENTOR

Leonard V. Hopkins,  
 by Franklin H. Hough  
 his Attorney

L. V. HOPKINS.  
BEE HIVE.

No. 427,993.

Patented May 13, 1890.



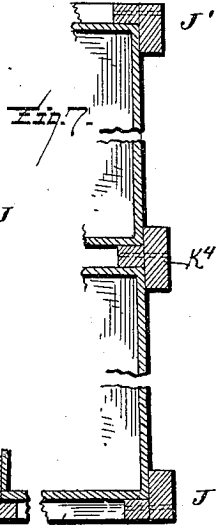
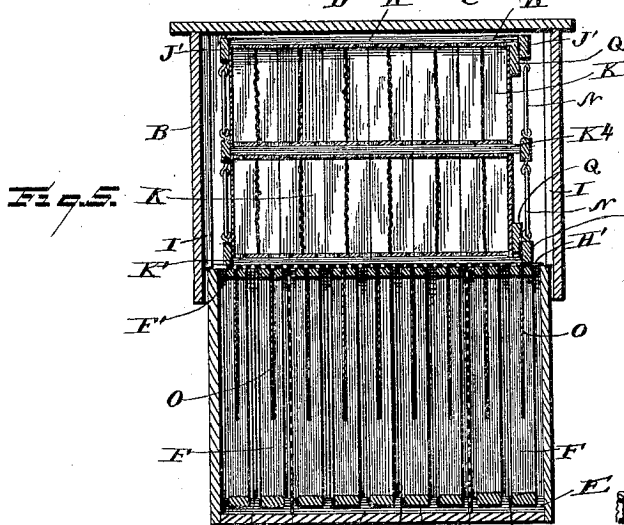
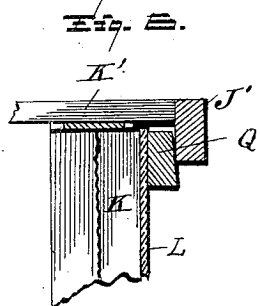
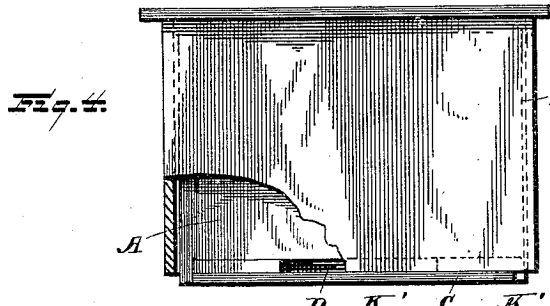
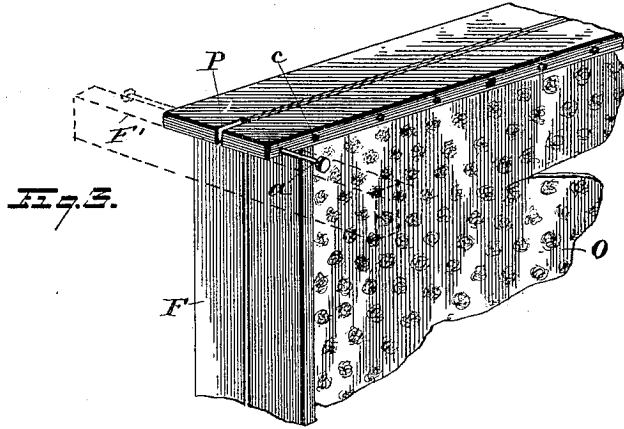
WITNESSES  
*L. C. Hills*  
*R. H. ...*

INVENTOR  
*Leonard V. Hopkins*  
 by *Franklin H. Dough*  
 his Attorney

# L. V. HOPKINS. BEE HIVE.

No. 427,993.

Patented May 13, 1890.



WITNESSES

*L. C. Hills.*  
*R. H. Lucas.*

INVENTOR  
*Leonard V. Hopkins*  
by *Franklin H. Douglass*  
his Attorney

each of its inner corners with blocks or posts I, which may be of any desired length, depending upon the number of tiers of honey-sections which it may be desired to use, the said blocks resting upon the upper corners of the brood-chamber and serving to retain the upper section in position.

The upper section of the hive consists of the crate and the honey-sections K, contained therein.

In the crate the lower rectangular frame J is designed to rest upon and be supported by the brood-chamber directly above the honey-board H', which frame is composed of the two parallel side pieces, two parallel end pieces secured together in any suitable manner, and the transverse slats K', parallel with the end pieces and arranged with their outer faces flush with the outer faces or edges of the side and end pieces, as shown. The end transverse slats form a rabbet on which the honey-sections rest. A similar frame J' is provided at the top of the crate, only, of course, reversed, with the upper faces of the transverse slats flush with the upper faces of the end and side pieces, and the end transverse slats forming rabbets, against the under side of which the honey-sections abut. When only one tier of honey-sections is employed, these two frames will be held together by means of detachable hooks N, which serve to hold the parts together securely, and at the same time permit of their being quickly and easily separated when necessary.

When two tiers of honey-sections are employed, I employ a separating-frame K<sup>1</sup>, which consists of the two parallel side pieces, the two parallel end pieces, and the transverse slats, which slats, however, instead of being arranged with one face flush with one face of the side and end pieces, are arranged so as to form a shoulder upon each side thereof, which serve to form a support for the adjacent sides of the honey-sections in the two tiers and prevent side movement thereof. When this separating-frame is employed, the hooks will be

arranged so as to hold the parts in their proper relative positions, as shown.

This form of crate is readily reversible when desired.

Both frames J J' and separating-frame K<sup>1</sup> are slightly wider than the length of the series of honey-sections contained therein, and when the said honey-sections have been arranged within the crate the wedge-shaped strips Q are inserted between the inner edges of the side pieces of the frames and the glass plates L, and the plates are thus held in position and the parts retained in place.

What I claim as new is—

1. As an improved article of manufacture, a brood-frame having a kerf in its upper bar and extending for a portion of the length of the vertical bars and a starter having its upper edge and ends held in said kerf, substantially as shown and described.

2. In a bee-hive, a crate consisting of two rectangular frames having front and rear rabbets, and each provided with transverse slats whose outer faces are flush with the outer edges of the side and end pieces of the frame, and a central separating-frame provided with transverse slats arranged to leave a shoulder upon each side thereof, and hooks detachably holding the three frames together, substantially as shown and described.

3. The combination, with the honey-sections, of the frames J J', having front and rear rabbets, each frame being wider than the honey-sections and held together by detachable fastenings, the glass plate L, and the wedge-shaped strips Q, inserted between the inner edges of the frames and the glass plates L of the honey-sections, substantially as shown and described.

In testimony whereof I affix my signature in presence of two witnesses.

LEONARD V. HOPKINS.

Witnesses:

WILLIAM M. LEWIS,  
MILTON G. ALEXANDER.