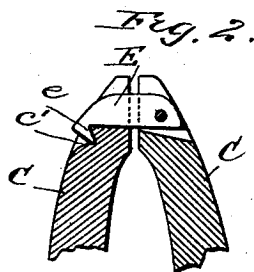
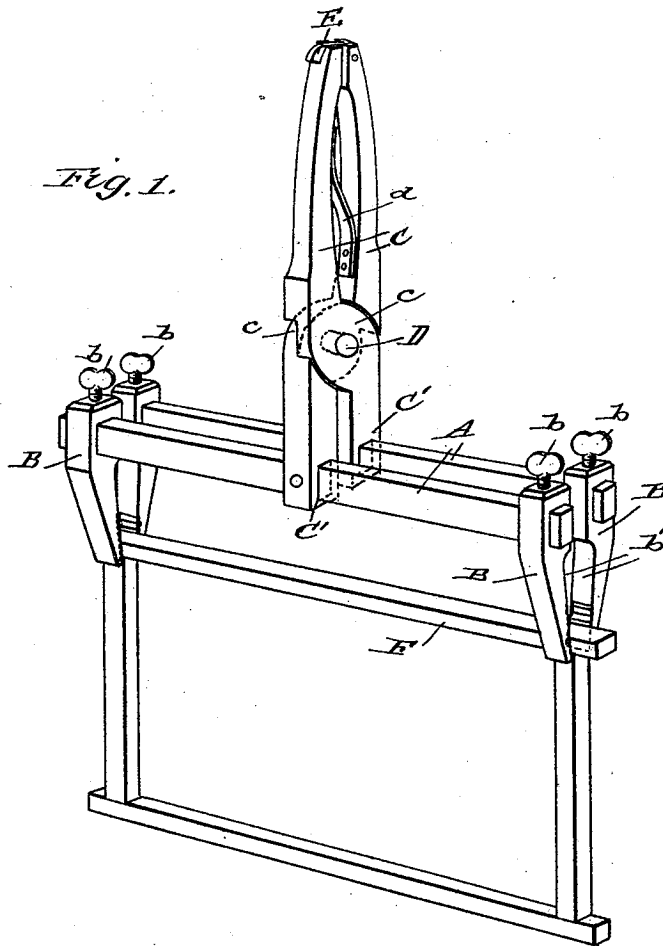


(No Model.)

C. D. HOLT.  
TONGS FOR HANDLING COMB FRAMES.

No. 453,905.

Patented June 9, 1891.



WITNESSES:  
*W. R. Davis.*  
*E. M. Clark*

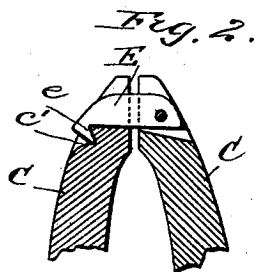
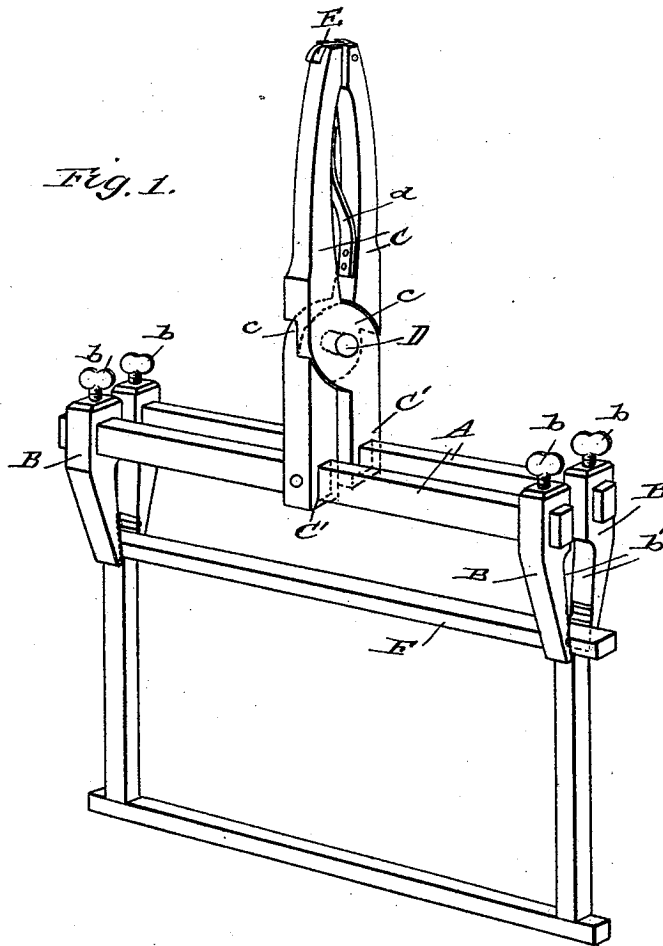
INVENTOR:  
*C. D. Holt*  
BY *Munn & Co.*  
ATTORNEYS

(No Model.)

C. D. HOLT.  
TONGS FOR HANDLING COMB FRAMES.

No. 453,905.

Patented June 9, 1891.



WITNESSES:  
*W. R. Davis.*  
*E. M. Clark*

INVENTOR:  
*C. D. Holt*  
BY *Munn & Co*  
ATTORNEYS

contact with the frame there is little liability of being stung. It will also be observed that the fingers B project downward, so as to grasp the sides as well as the top of the comb-frame, 5 and the frame is thereby held without injury and is prevented from twisting out of place. The fingers too are prevented by the sides of the frame from coming into injurious contact with the honey or brood comb.

10 Having thus fully described my invention, I claim as new and desire to secure by Letters Patent—

1. A device of the character described, comprising a pair of handles pivoted together and 15 provided at their lower ends with laterally-extending bars having depending fingers adjustably mounted thereon, substantially as described.

2. In a device of the character described, 20 the combination, with pivoted handles provided with bars on their lower ends, of fingers apertured to receive the bars, and means for securing the fingers in place on said bars, substantially as described.

3. An apparatus of the character described, 25 comprising a pair of handles centrally pivoted together and provided at their lower ends with laterally-extending bars, and depending fingers adapted to slide upon the bars, said fingers being provided with thumb- 30 screws extending through them, so as to impinge upon the bars, and having the inner faces of their lower portions cut away, as shown, substantially as described.

4. A device of the character described, com- 35 prising pivoted handles having their upper ends slotted and provided at their lower ends with bars carrying depending fingers, one of the handles being provided with a shoulder 40 c', and the latch E, pivoted in the slot of one handle and adapted to enter the slot of the other handle and engage the shoulder thereof, substantially as herein shown and described.

CRAWFORD D. HOLT.

Witnesses:

C. H. STEWART,  
GALEN MILLER.