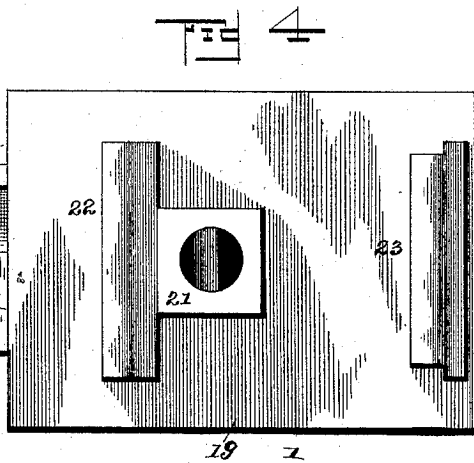
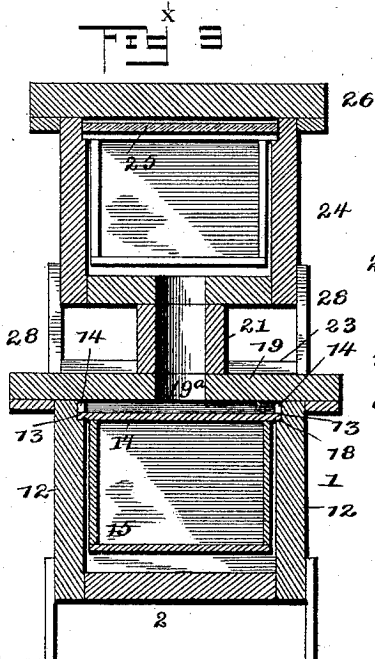
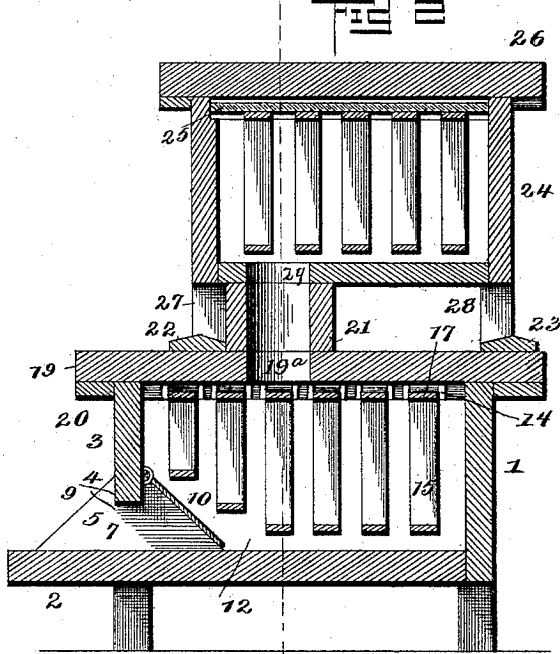
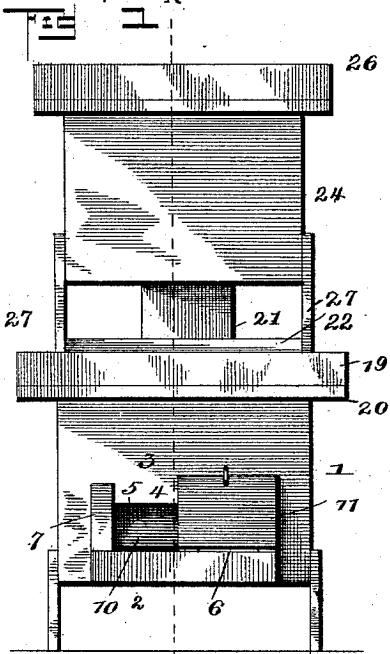


(No Model.)

S. F. BREWER.
BEE HIVE.

No. 468,783_x

Patented Feb. 16, 1892.



Witnesses

John Dornie
J. Y. Davis.

Inventor
Samuel F. Brewer

By his Attorney

Charles A. Kennel

UNITED STATES PATENT OFFICE.

SAMUEL F. BREWER, OF WASHINGTON COUNTY, KENTUCKY.

BEE-HIVE.

SPECIFICATION forming part of Letters Patent No. 468,783, dated February 16, 1892.

Application filed June 9, 1891. Serial No. 395,659. (No model.)

To all whom it may concern:

Be it known that I, SAMUEL F. BREWER, a citizen of the United States, residing in the county of Washington and State of Kentucky, have invented certain new and useful Improvements in Bee-Hives; and I do hereby declare the following to be a full, clear, and exact description of the invention, such as will enable others skilled in the art to which it appertains to make and use the same.

This invention relates to certain new and useful improvements in bee-hives; and it consists in the novel construction and arrangement of parts hereinafter fully described, and afterward definitely pointed out in the claim, due reference being had to the accompanying drawings, forming a part of this specification, wherein—

Figure 1 a front elevation of my improved hive. Fig. 2 is a vertical longitudinal section; and Fig. 3 a section taken on the line *xx*, Fig. 1; and Fig. 4 is a plan view of the cover of the bee house or home, the super being removed.

Referring to said drawings, the numeral 1 indicates the brood-chamber and consists of a rectangular box, the bottom 2 of which projects beyond the front or end of said box, as shown. The front end wall 3 of the brood-chamber is apertured, as at 4, and is divided into two passage-ways, forming an entrance 5 and exit 6, by means of double inclined or triangular-shaped sides 7 and a central double inclined or triangular-shaped partition 8. Said partition and sides are recessed, as at 9, to embrace the end walls 3 of the brood-chamber, as shown, by means of which said partitions are held in place.

10 and 11 indicate gates, which are respectively hinged to the inside and outside of the end wall 3 of the brood-chamber in such manner as to rest upon the inclined sides and partition 8, the gate 10 opening inwardly and the gate 11 opening outwardly and normally closing the brood-chamber. Said gates are made of a sufficient weight to prevent them being lifted by a single bee; but when the gate 10 is lifted by two or more bees it will close behind the bees by gravity and effectually prevent the entrance of moth millers, and the gate 11, closing the exit, will act in like manner. The upper inner edges of the side walls

12 of the brood-chamber are rabbeted, as at 13, and at uniform distances apart thereon are secured pegs 14.

15 indicate comb-frames, the upper rails 17 of which project at each side beyond said frames, as at 18 18, and rest upon the rabbeted edges 13, as shown, by means of which the said frames are supported in the brood-chamber, the pegs 14 maintaining them the proper distance apart. The frames in the forward part of the brood-chamber are made of less depth than the rest, in order that they may be suspended over the inclined partitions 7 and 8 and not interfere with the gate 10, thus utilizing the entire interior space of the home.

The brood-chamber 1 is closed by a cover 19, provided with depending flanges 20, which fit around the top of the same, and said cover 19 at or about its center is provided with an opening 19^a. 21 is a hollow vertical post secured upon the cover and registers with the opening 19^a. To the upper side of said cover 19 are secured cleats 22 and 23, the ends of the rear cleat having shouldered ends, as shown, and for the purpose hereinafter described.

24 indicates the super, consisting of a rectangular box somewhat smaller than the brood-chamber 1, and is provided with similar rabbeted side walls, from which are suspended the comb-frames, a glass cover 25 resting upon said frames and through which the frames can be inspected, a sliding cover 26 being employed to close the top of the super.

The super 24 is provided with legs 27 and 28, which rest upon the cover 19 of the brood-chamber, the front legs 27 embracing or straddling the front cleat 22, and the rear legs 28 engaging the shouldered ends of the cleat 23, by means of which the super 24 is maintained in proper position.

The bottom of the super 24 is perforated, as at 29, which perforation registers with the hollow post 21, by means of which the bees are permitted to pass from the brood-chamber 1 to the super 24.

When it is desired to remove the filled frames from the super 24, said super is pulled slightly forward, thus causing the bottom of said super to close the hollow post 21 and prevent the entrance of bees to the super, when

the frames can be removed with safety and without injury to the bees.

Having described my invention, what I claim is—

5 The combination, with the brood-chamber 1, having a cover 19 provided with an opening 19^a, a hollow post 21, secured to said cover and registering with the opening 19^a, and transverse cleats 22 and 23, secured to the up-
10 per side of said cover, the ends of the cleat 23 being shouldered, as shown, of the longitudinally-movable super 24, supported upon

legs adapted to embrace the ends of the cleats 22 and 23, the bottom of said super having an aperture 29 adapted to register with the hol- 15
low post 21, substantially as shown and described.

In testimony whereof I affix my signature in presence of two witnesses.

SAMUEL F. BREWER.

Witnesses:

W. E. SELERMAN,
THOS. W. SIMMS, Jr.