

(No Model.)

F. M. ARCHER.  
PRESS FOR HONEY SECTIONS.

No. 476,116.

Patented May 31, 1892.

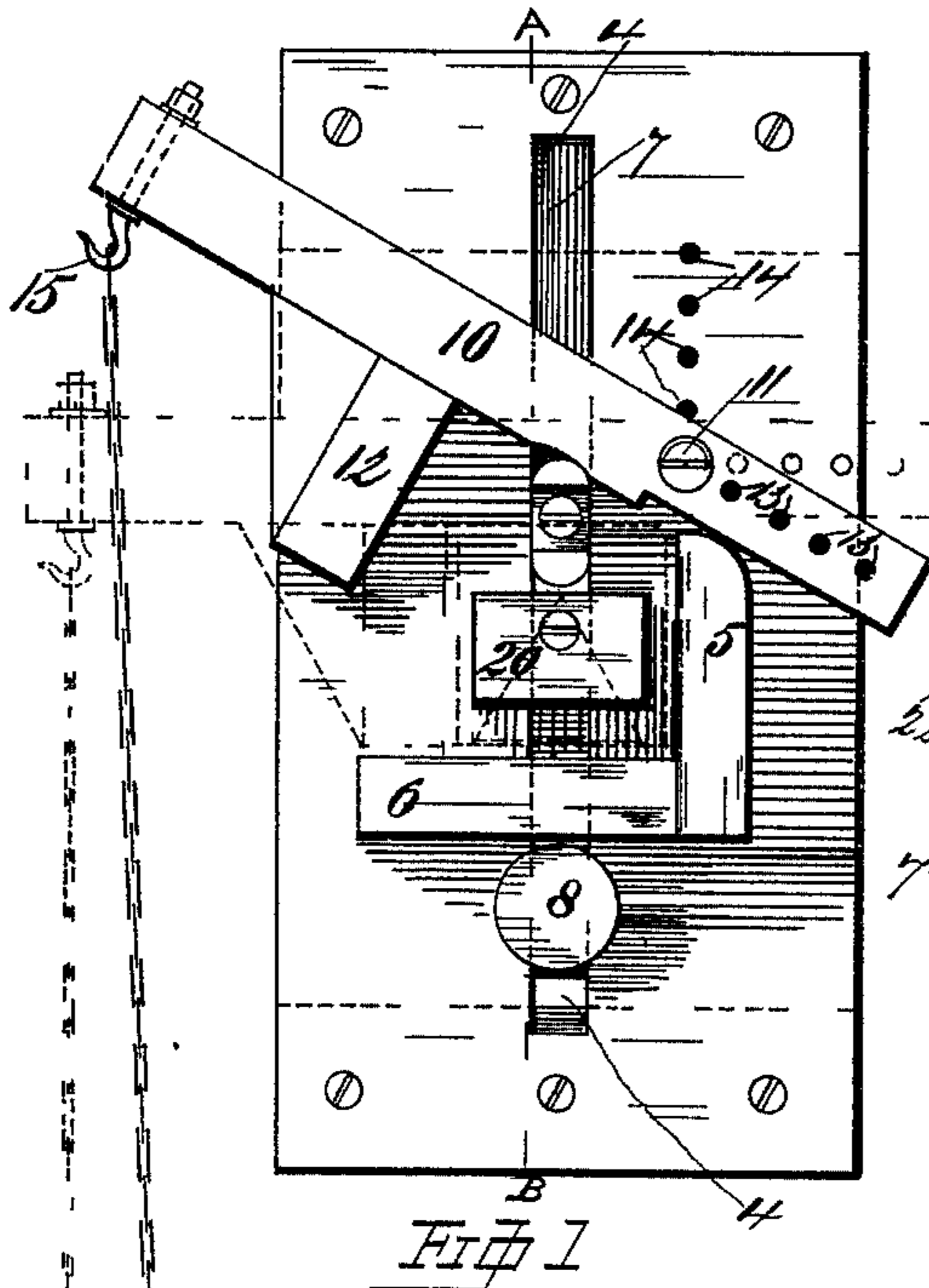


Fig 1

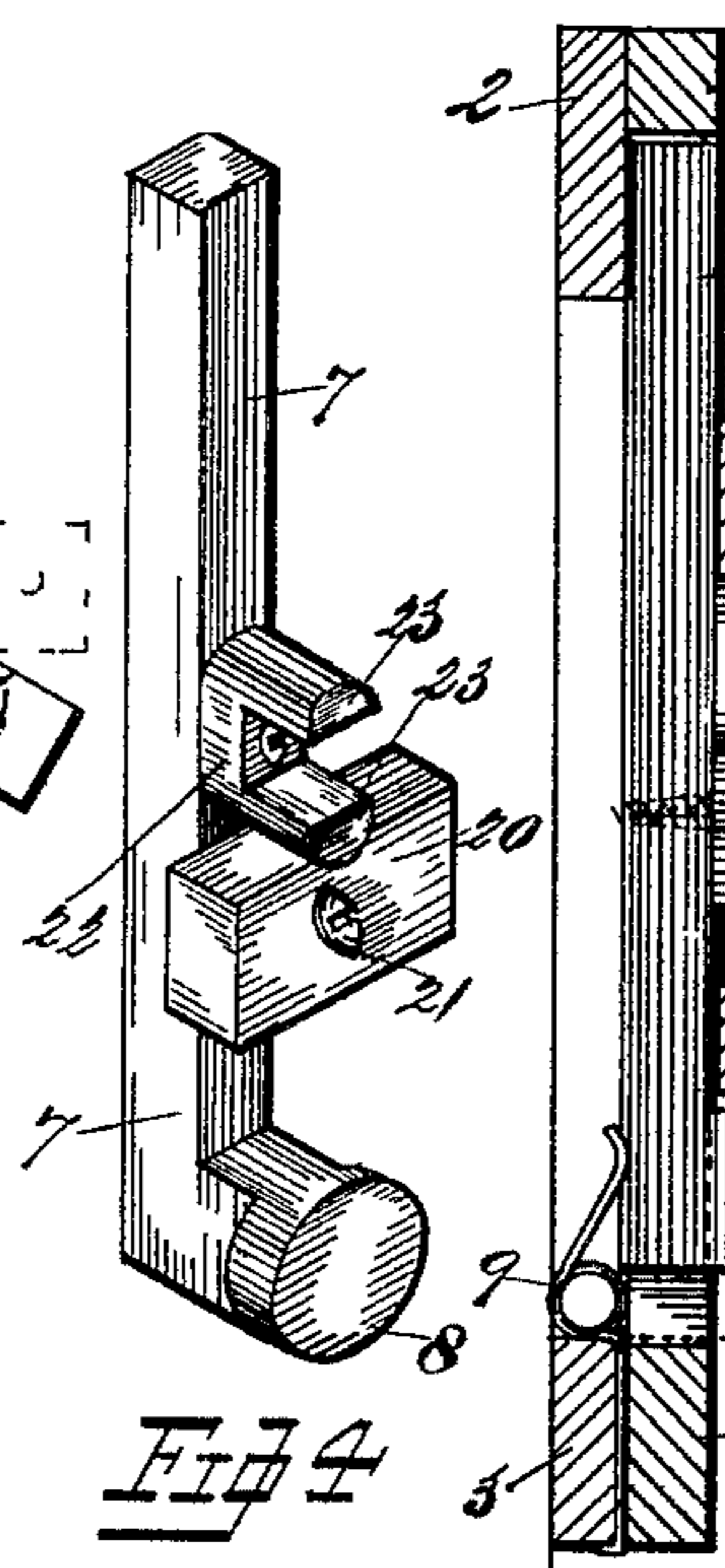


Fig 2

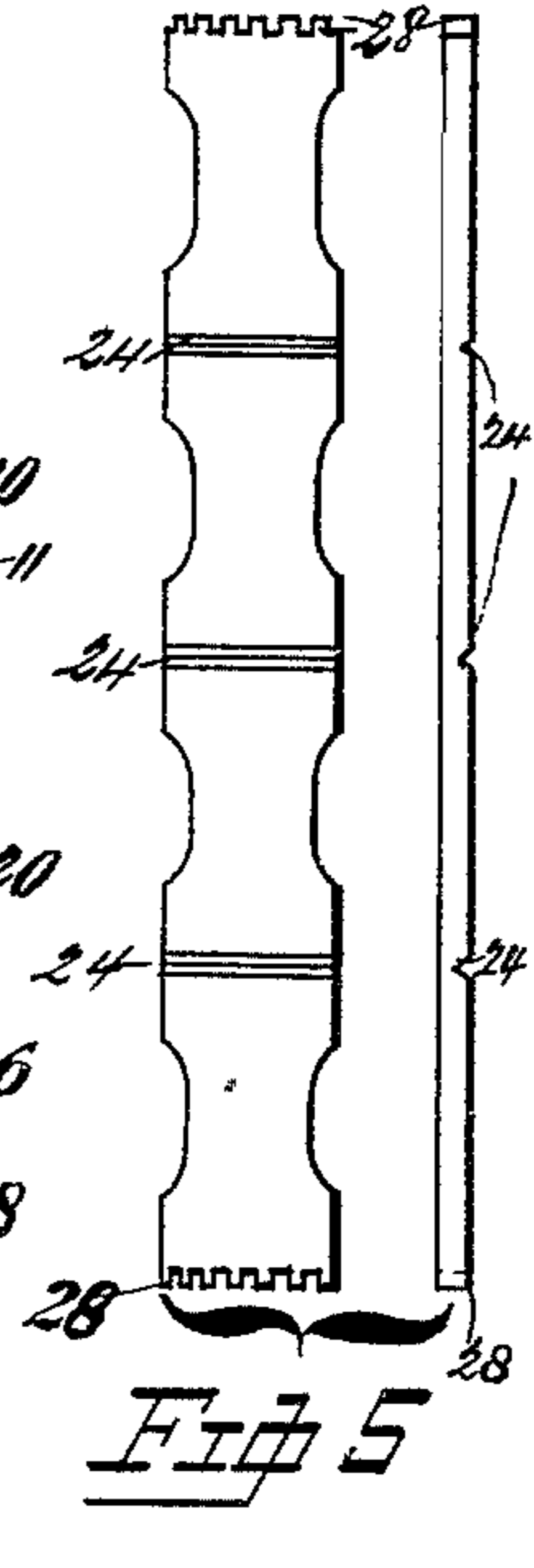


Fig 5

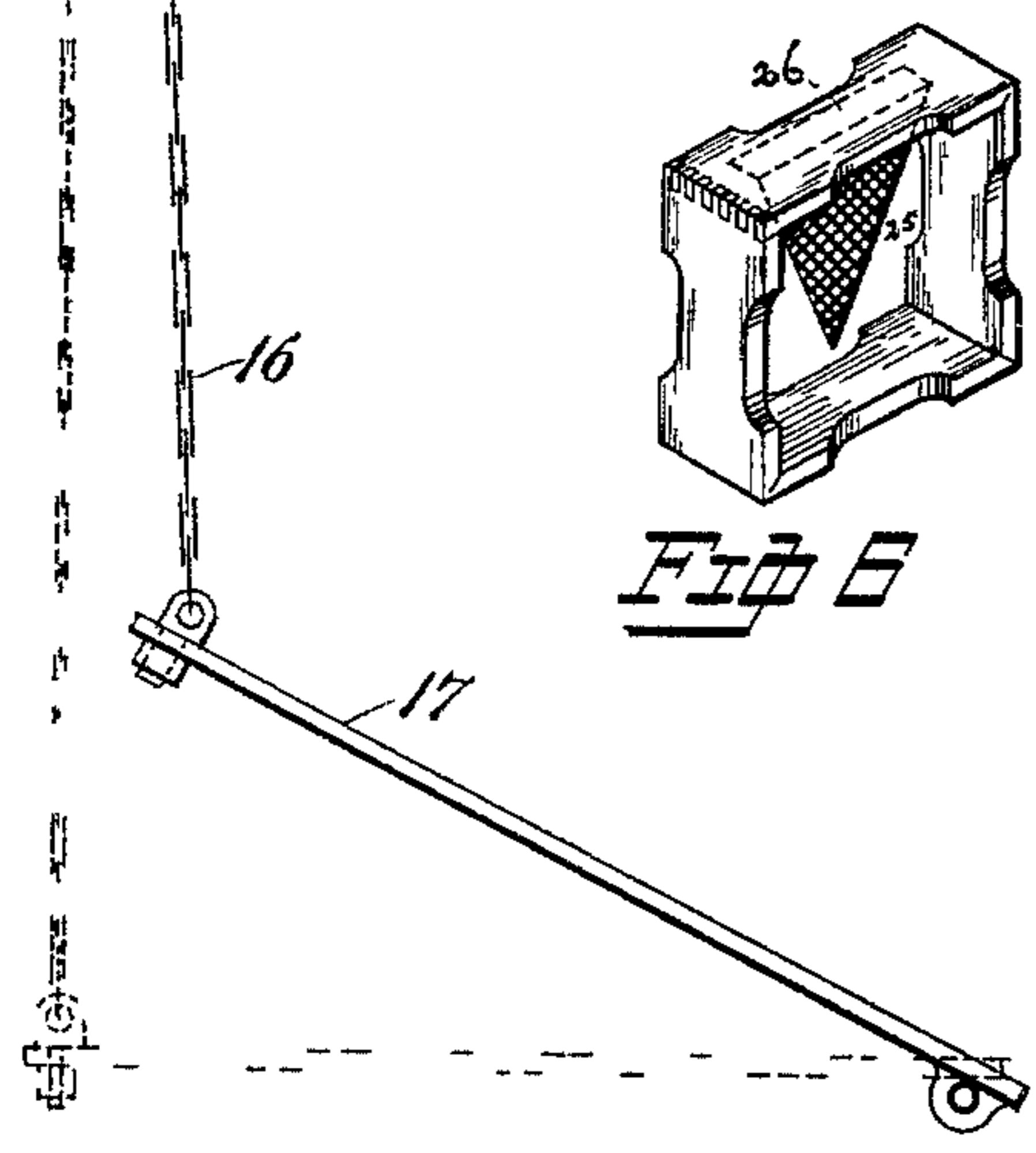


Fig 6

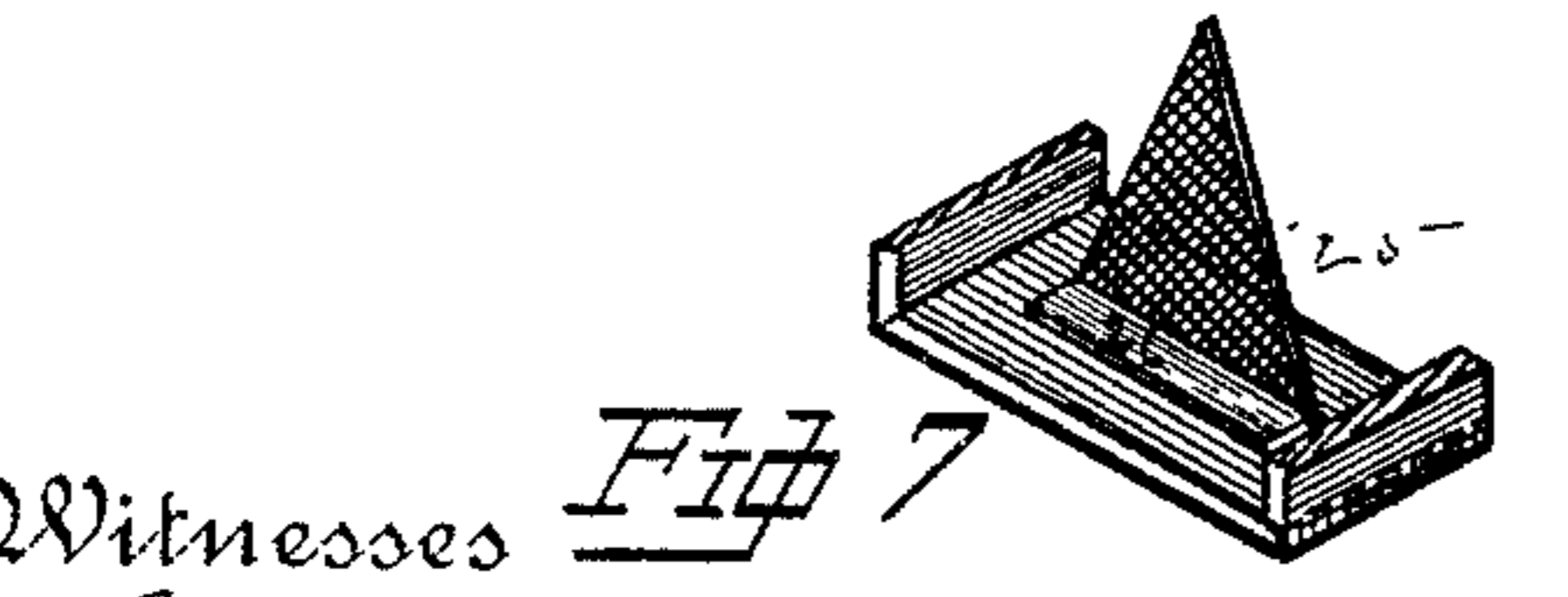


Fig 7

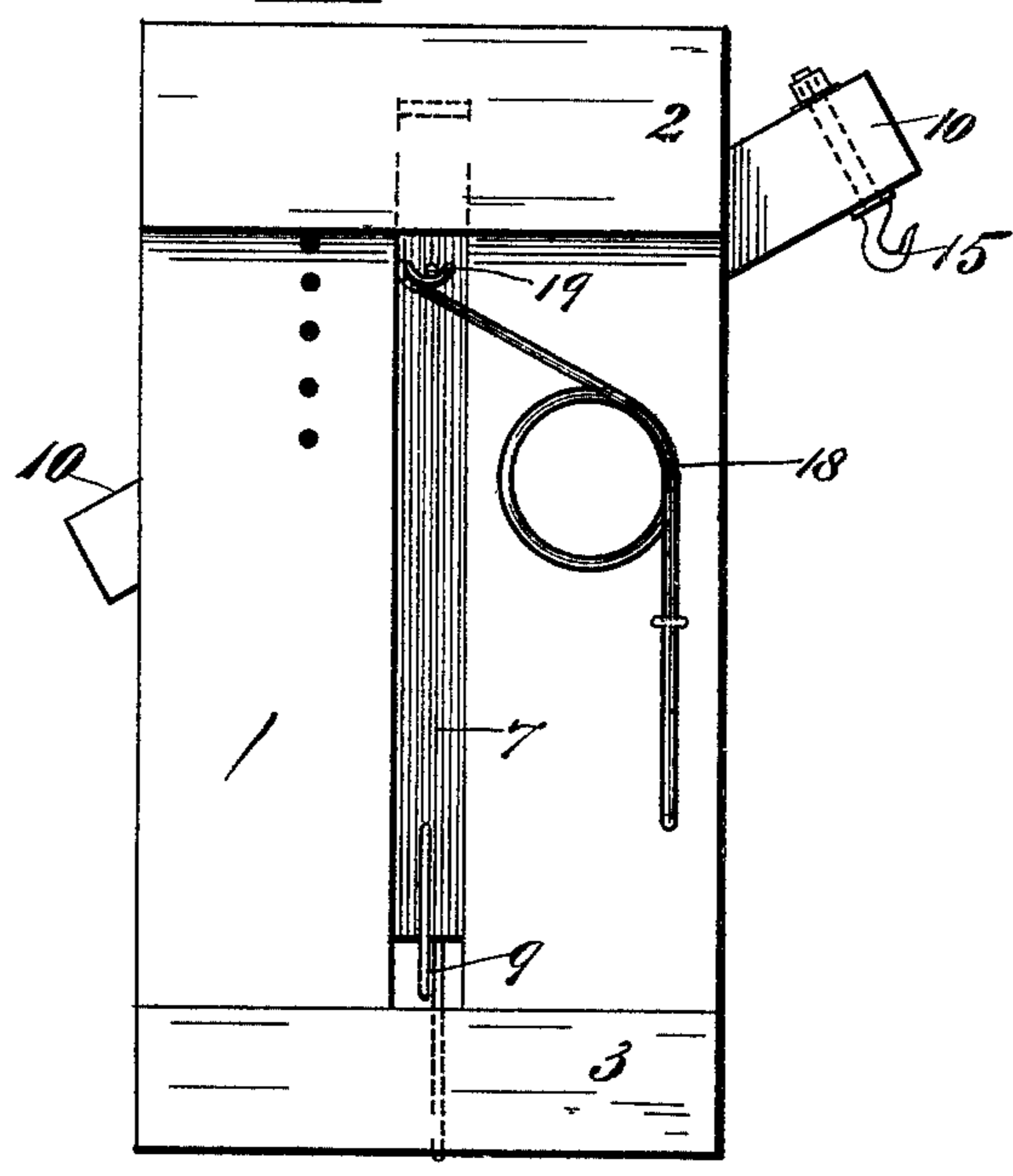


Fig 3

Witnesses  
*G. W. Duntz*  
*E. P. Wapenham*

Inventor  
*F. M. Archer*  
 By his Attorney  
*Thompson & Bell*

# UNITED STATES PATENT OFFICE.

FRANCIS M. ARCHER, OF FOUNTAINTOWN, INDIANA.

## PRESS FOR HONEY-SECTIONS.

SPECIFICATION forming part of Letters Patent No. 476,116, dated May 31, 1892.

Application filed October 8, 1891. Serial No. 408,075. (No model)

*To all whom it may concern:*

Be it known that I, FRANCIS M. ARCHER, a citizen of the United States, residing at Fountain-town, in the county of Shelby and State of Indiana, have invented new and useful Improvements in Presses for Honey-Sections, of which the following is a specification.

The object of my invention is to provide a machine that will effectually and rapidly join the ends of the section together without breaking or distorting them and apply the comb foundation to said section and to cause it to adhere to the latter, as hereinafter more fully set forth. I attain these objects by the mechanism illustrated in the accompanying drawings, in which—

Figure 1 is a front elevation of my press, showing the honey-section in dotted lines when put together or joined. Fig. 2 is a sectional elevation of the same through the line A B. (See Figs. 1 and 3.) Fig. 3 is a rear elevation of the same. Fig. 4 is a perspective view of the pressure-beam and the comb foundation setter. Fig. 5 is a front and a side elevation of the honey-section before being bent and its ends joined. Fig. 6 is a perspective view of a section having its ends joined, showing the comb foundation applied thereto; and Fig. 7 is an inverted perspective view of the same, showing the top bent end of the comb foundation secured to the section.

Similar numbers of reference designate like parts throughout the several views.

1 designates the upright frame of the press, which may be firmly secured to the wall or post of a building or other suitable rigid support, said frame having the top and bottom battens 2 and 3 secured on the back thereof and provided with the longitudinal slot 4, extending along its center. A supporting-gage, consisting of a horizontal part 6 and a vertical part 5, is secured to the frame, said parts being arranged at right angles to each other and to the face of said frame.

7 designates the pressure-beam, having the thumb knob or button 8 formed on or secured to the bottom end thereof, and said beam is adapted to slide in the slot 4 and between the battens 2 and the supporting-gage and is held in its raised position by the spring 9. (See Figs. 2 and 3.)

10 designates the pressure-lever, fulcrumed on the pin 11 and having the jaw 12 secured at right angles to the bottom edge thereof for the purpose of maintaining the section in its proper form. Additional fulcrum-pin holes 13 and 14 are provided in the lever 10 and the frame 1 for the purpose of adjusting the lever to press any of the various sizes of sections that may be used. At the power end of the lever is secured the hook 15, having any suitable connection or chain 16, connecting the foot-treadle 17, by which the pressure-lever 10 is moved downwardly and operated. I provide the counter-spring 18, secured to the back of the frame 1 and having its free end engaging the pin 19, secured to the back of the pressure-beam 7, for the purpose of raising the lever 10 and its connections to disengage and relieve the section of pressure when its ends are joined.

20 designates the comb-foundation setter, which I prefer to secure pivotally to the front of the press-beam 7 by the screw 21 for the purpose of readily adjusting itself to any irregularity or inequality in the thickness of the section to which the foundation is applied.

22 designates the thrust-block of the pressure-beam, having its projecting ends 23 rounded and adapted to come in contact with the lever 10 and the setter 20 for the purpose of directly applying pressure to the latter.

The operation of the press is as follows: The section which is to have the ends joined together (see Fig. 5) is first bent by hand at the creases 24 till the end tongues 28 are almost touching. The section is now placed in position in the press, with its sides resting on and against the supporting gage thereof, in which position it is firmly held till power is applied to the lever 10 by means of the treadle 17. The comb foundation 25 is now placed in position on the section and the lever 10 is pressed down till the comb foundation setter 20 presses firmly on the turned edge or base 26 of the comb foundation. Pressure still being maintained on the lever 10 and the setter 20, the button 8 is pressed inwardly and backwardly by the hand, thus causing the edge of the comb foundation to adhere to the section without sticking or being broken off by the setter 20 when pressure is removed from the latter, as shown in Figs. 6 and 7.

Having thus described the construction and operation of my invention, what I claim as new and useful, and desire to cover by Letters Patent of the United States, is—

5 1. In a press for honey-sections, the combination, with the frame having the parts 5 and 6 secured to it, of the beam 7, sliding in a slot in the said frame and provided with the pivoted setter-block 20 and the thrust-  
10 block 22, and the lever pivoted to the frame and provided with the part 12, whereby the ends of the section are joined and the comb foundation secured in position, substantially as set forth.

15 2. In a press for honey-sections, the combination, with the frame provided with the vertical slot 4 and having the parts 5 and 6 secured to it, of the beam 7, sliding in the said

slot and provided with the pivoted setter-block 20, the push-button 8, and the thrust- 20  
block 22, a spring 18, normally holding the said beam in its raised position, a spring 9, normally holding the said button pressed forward, and a lever pivoted to the frame and provided with the part 12, whereby the ends 25  
of the section are joined and the comb foundation secured in position, substantially as set forth.

In testimony whereof I have hereunto set my hand in the presence of two subscribing 30  
witnesses.

FRANCIS M. ARCHER.

Witnesses:

T. C. MACY,  
JOHN A. LAMB.