

(No Model.)

B. TAYLOR.
SWARM CATCHER.

No. 476,762.

Patented June 7, 1892.

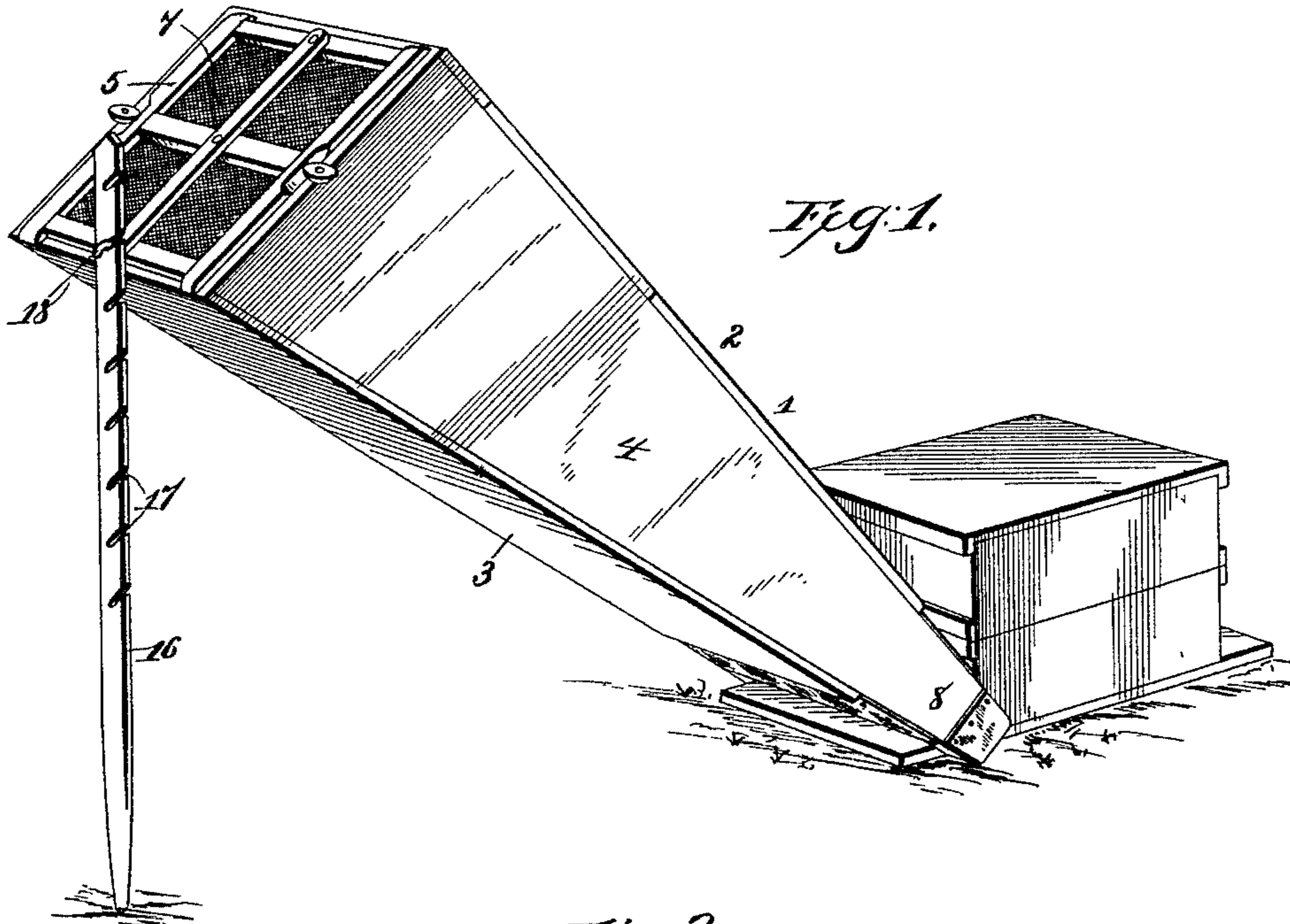


Fig. 1.

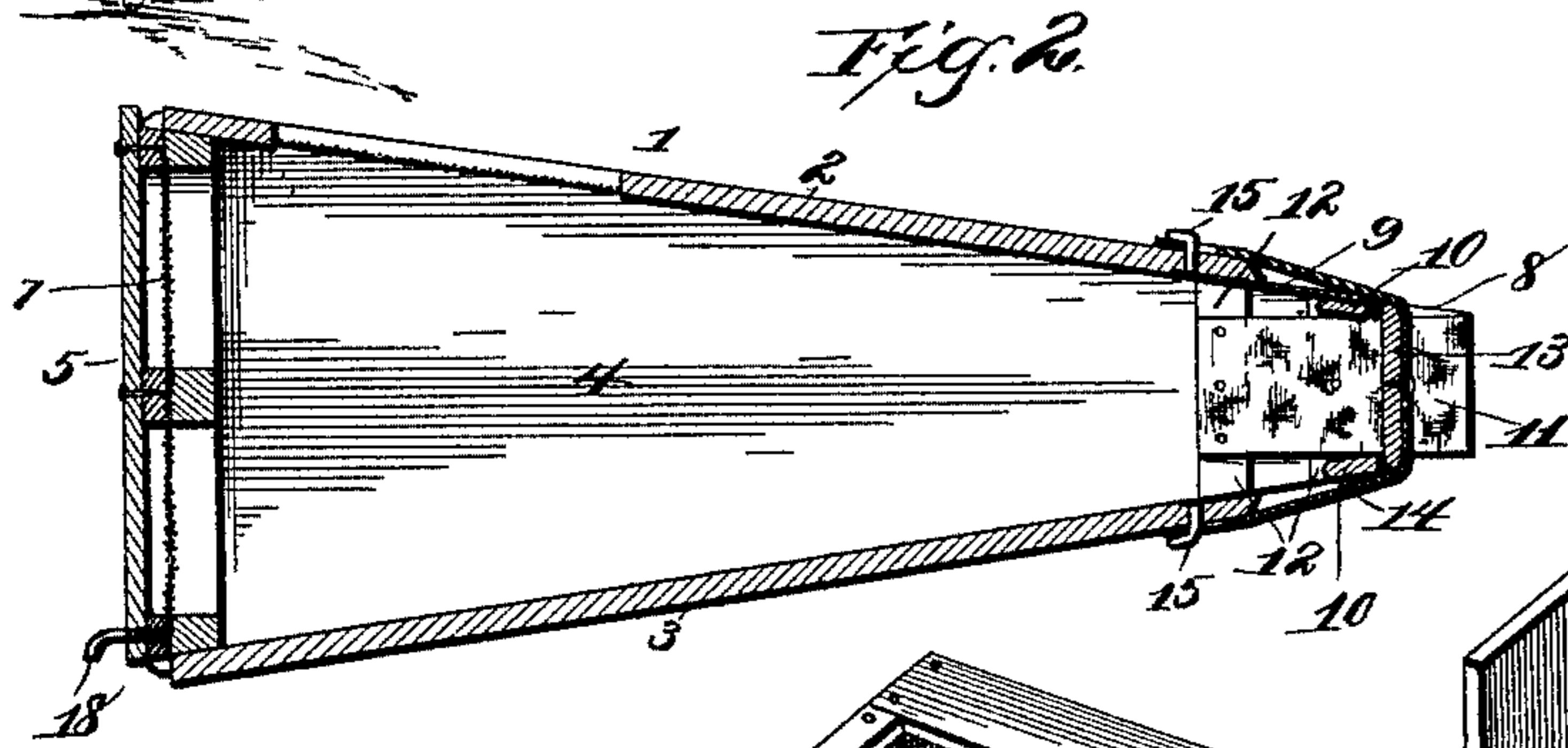


Fig. 2.

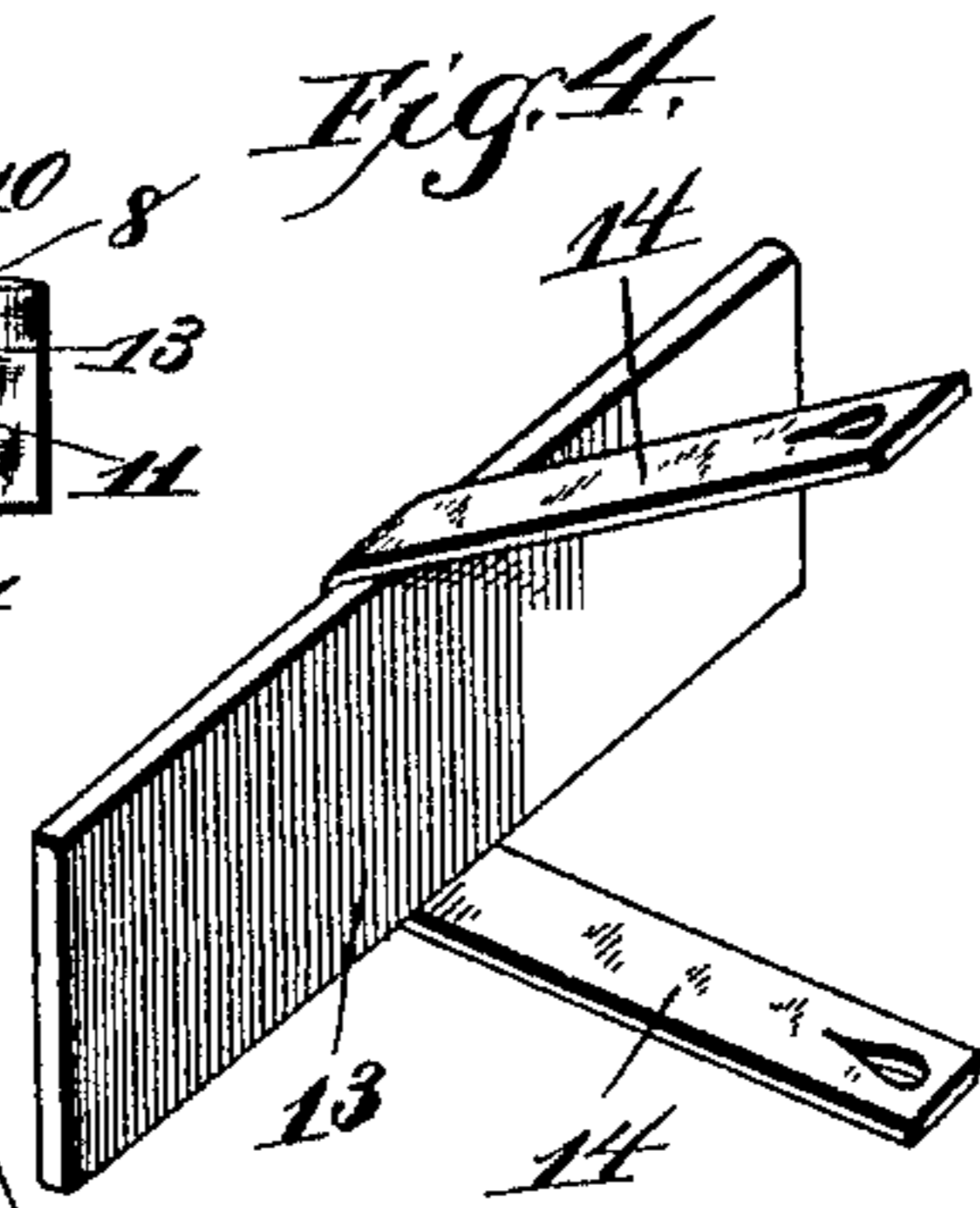


Fig. 4.

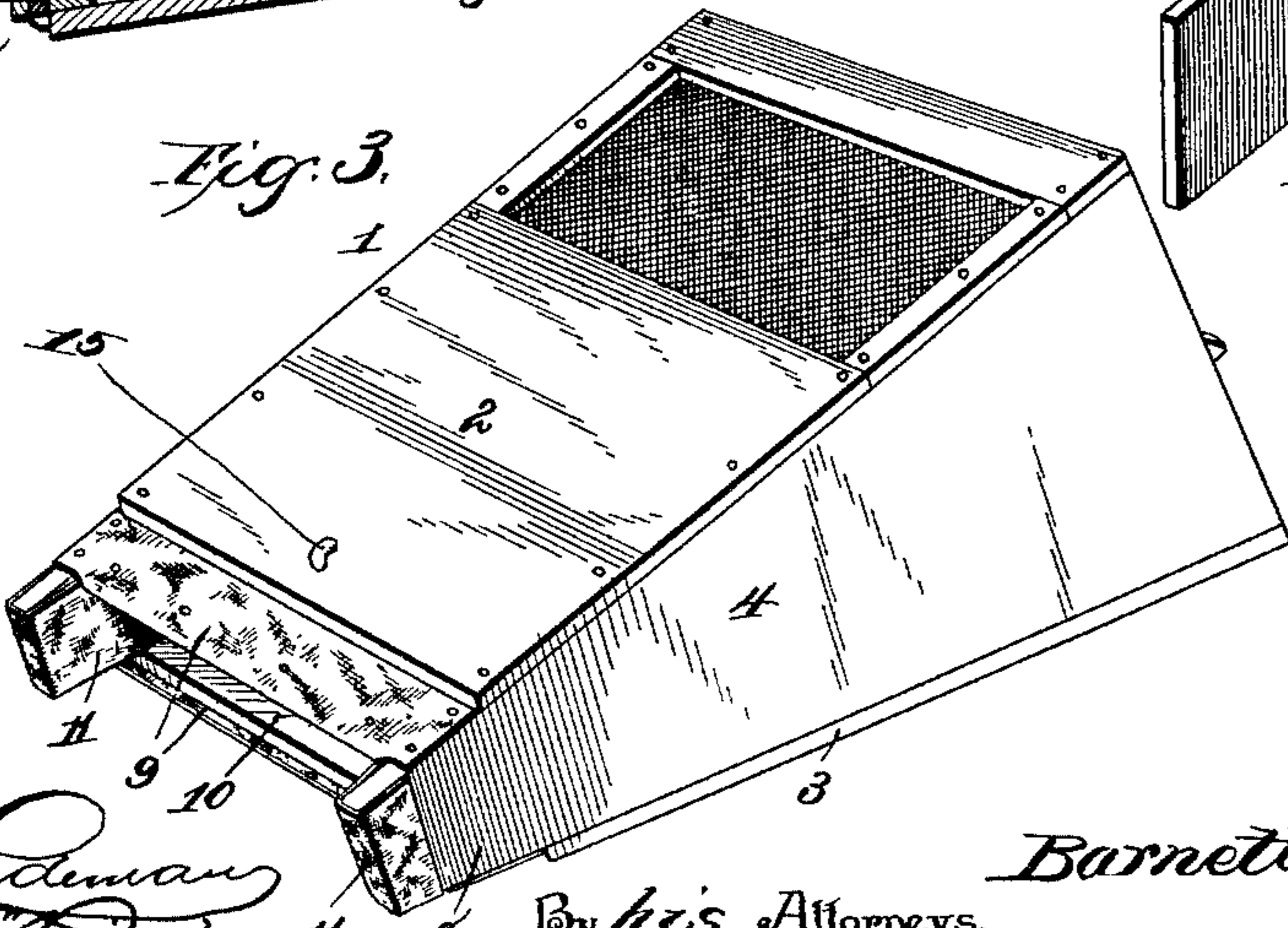


Fig. 3.

Witnesses

E. C. Hurdman
H. J. Rely

Inventor

Barnett Taylor

By his Attorneys,

C. A. Snow & Co.

UNITED STATES PATENT OFFICE.

BARNETT TAYLOR, OF FORESTVILLE, ASSIGNOR TO W. G. RUNDELL, E. H. CRAIN, AND E. G. H. ADAMS, OF SPRING VALLEY, MINNESOTA.

SWARM-CATCHER.

SPECIFICATION forming part of Letters Patent No. 476,762, dated June 7, 1892.

Application filed December 12, 1891. Serial No. 414,860 (No model.)

To all whom it may concern:

Be it known that I, BARNETT TAYLOR, a citizen of the United States, residing at Forestville, in the county of Fillmore and State of Minnesota, have invented a new and useful Improvement in Swarm-Catchers, of which the following is a specification.

The invention relates to improvements in swarm-catchers.

10 The object of the present invention is to simplify and improve the construction of swarm-catchers and to enable them to be quickly attached to a hive and to be arranged in the desired position.

15 The invention consists in the construction and novel combination and arrangement of parts hereinafter fully described, illustrated in the accompanying drawings, and pointed out in the claims hereto appended.

20 In the drawings, Figure 1 is a perspective view of a swarm-catcher constructed in accordance with this invention and shown applied to a hive. Fig. 2 is a longitudinal sectional view of the swarm catcher, the rear end being closed. Fig. 3 is a perspective view, the swarm catcher being detached and the rear contracted end being open. Fig. 4 is a detail view of the removable board for closing the contracted end of the swarm-catcher.

30 Like numerals of reference indicate corresponding parts in all the figures of the drawings.

1 designates a tapering body or frame composed of a top 2, a bottom 3, and sides 4, which are approximately triangular and which project beyond the top and bottom at the smaller end of the frame. The enlarged end of the frame is closed by a removable door 5, which is secured in place by pivoted buttons 6 and which is composed of wire gauze 7 and a frame supporting the same. The reduced or contracted end of the frame is designed to fit over the bee-entrance of a hive and the extensions 8 of the sides 4 are designed to extend along the sides of a hive. In order to effect a bee-tight connection between the hive and the swarmer, transverse strips 9 of textile fabric are secured at the top and bottom to the upper and lower edges of the extensions 8 and are stiffened at their outer edges by cleats 10, secured to them and arranged on their inner

faces. By this construction the swarmer may be readily and quickly applied to a hive and fitted over the bee-opening thereof and the textile-fabric strips will fit closely to the hive and the alighting-board thereof and will effect a bee tight joint. The inner faces of the extensions and the ends of the same are provided with a textile-fabric lining 11, which have their inner ends secured to vertical pieces 12, which makes the linings tapering or wedge shaped and enables them to tightly clamp the sides of a hive and form a bee-tight joint.

When the swarmer is not applied to a hive and it is desired to confine bees in the same, the contracted end is closed by a removable board 13, which is secured to the swarmer by a strap 14, arranged transversely of the board and attached to the same and provided in its ends with openings adapted to engage headed projections 15, arranged on the top and bottom of the swarmer.

The swarmer may be arranged at any desired inclination, and its front enlarged end is supported by a prop 16, which is provided with a series of inclined notches 17, adapted to be engaged by a projecting pin 18, extending from the door 5.

It will be seen that a simple and inexpensive swarmer is provided, that the swarmer may be readily attached to a hive, and that a bee-tight connection between the swarmer and the hive is provided. The top 2 of the swarmer is provided with a wire gauze section to light the interior of the swarmer.

The swarmer is adapted for transferring bees and it collects them as they issue from the hive and does not allow them to gain the open air.

What I claim is—

1. A swarmer adapted to be connected to a hive and provided with a contracted end and having side extensions projecting beyond the top and bottom and provided with flexible transverse strips secured to the upper and lower edges of the extensions, whereby a bee-tight joint is effected, substantially as described.

2. The combination of a swarmer having a contracted end and provided with side extensions, transverse flexible strips secured to the

upper and lower edges of the extensions and provided at their outer edges with stiffening-cleats, and flexible linings arranged on the inner faces of the extensions, substantially as described.

3. The combination of a swarmer having a contracted end and provided with extensions, transverse flexible strips secured to the upper and lower edges of the extensions, the vertical pieces secured to the inner faces of the extensions, and the flexible linings secured to the strips and to the extensions and being tapering or wedge-shaped, substantially as and for the purpose described.

4. The combination of a swarmer provided with a contracted end and having extensions, transverse flexible strips secured to the extensions, projections arranged on the top and bottom of the swarmer, a removable board closing the contracted end of the swarmer, and a strap engaging the projections and securing the board in place, substantially as described.

5. The combination of a swarmer having a contracted end and provided with extensions, the vertical pieces secured to the inner faces of the extensions, and the flexible linings secured to the strips and to the extensions and being tapering or wedge-shaped, substantially as and for the purpose described.

6. The combination of a swarmer provided with a contracted end and having projections arranged on the top and bottom of the swarmer, a removable board closing the contracted end of the swarmer, and a strap engaging the projections and securing the board in place, substantially as described.

In testimony that I claim the foregoing as my own I have hereto affixed my signature in the presence of two witnesses.

BARNETT TAYLOR.

Witnesses:

JOHN C. BATEMAN,
J. B. REIX.