

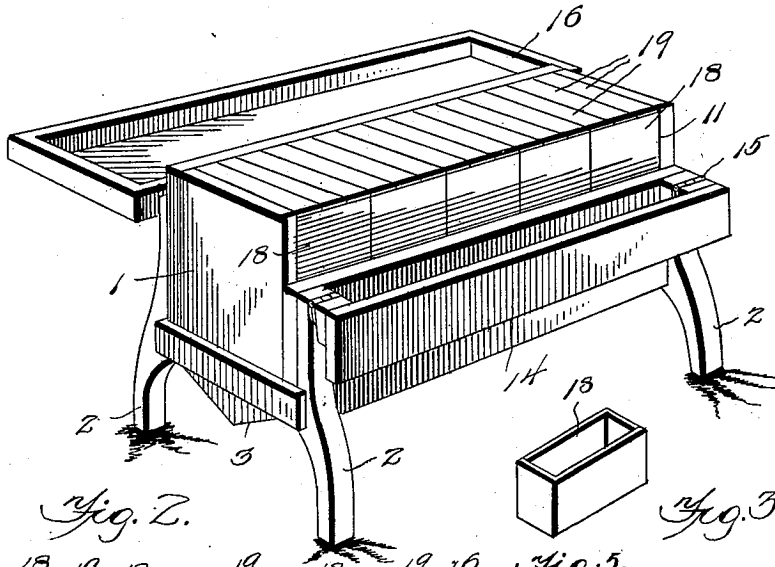
J. F. THOMPSON.

BEEHIVE.

APPLICATION FILED SEPT. 30, 1901.

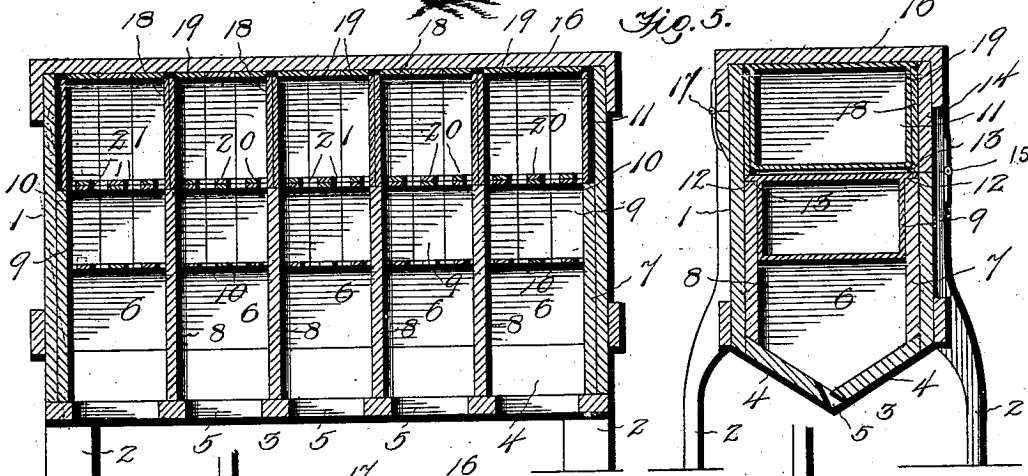
NO MODEL.

*Fig. 1.*

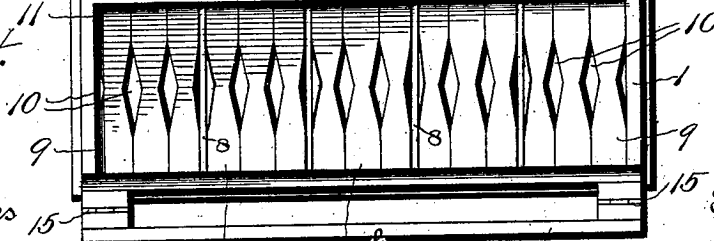


*Fig. 2.*

*Fig. 3.*



*Fig. 4.*



Witnesses  
*D. H. Neuman*  
*S. J. W. Hunter*

Inventor  
*John F. Thompson*  
 By *L. Deane & Son*  
 Attorneys

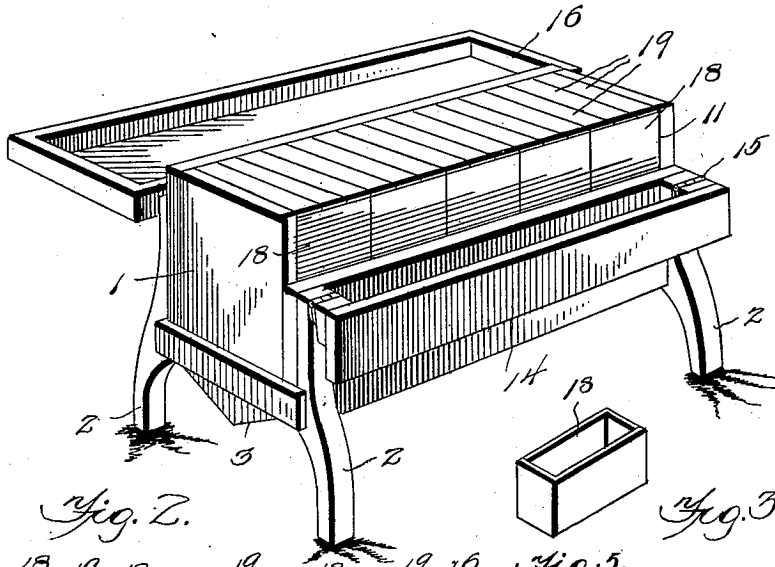
J. F. THOMPSON.

BEEHIVE.

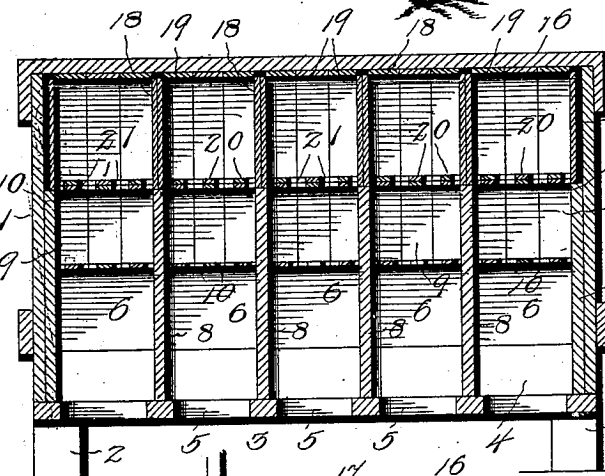
APPLICATION FILED SEPT. 30, 1901.

NO MODEL.

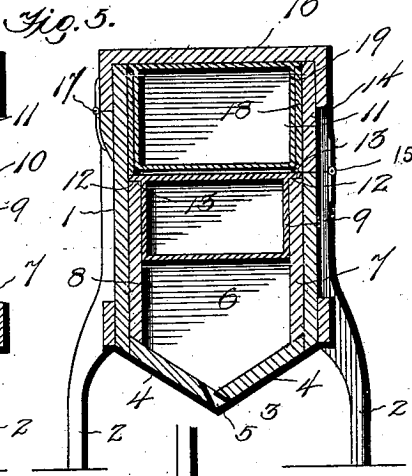
*Fig. 1.*



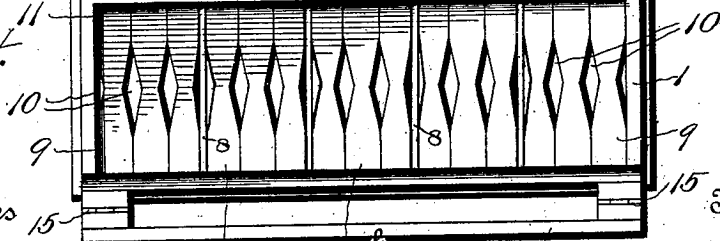
*Fig. 2.*



*Fig. 3.*



*Fig. 4.*



Witnesses  
*D. H. Newman*  
*S. J. W. Hunter*

Inventor  
*John F. Thompson*  
 By *L. Deane & Son*  
 Attorneys

the frames 9 within the brood-chamber. The said boxes 18 are open at the top and bottom and individually accommodate a series of honey-sections 19, fitting closely side by side 5 and provided at the side edges of their bottom pieces 20 with matching notches 21, which provide openings corresponding with those at the top of the brood-frames 9, so that the bees may readily pass from said brood-frames into 10 the sections 19 within the super.

By reason of the partitioned construction described it is observed that the hive-body is divided into a plurality of compartments which accommodate separate swarms of bees. 15 By thus swarming the bees heat is generated which promotes their propagation, and consequently increases the supply of honey.

From the foregoing it is thought that the construction and many advantages of the 20 herein-described hive will be readily apparent without further description, and it will be understood that various changes in the form, proportion, and minor details of construction may be resorted to without departing from 25 the spirit or sacrificing any of the advantages of the invention.

Having thus described the invention, what I claim as new, and desire to secure by Letters Patent, is—

In a beehive, the hive-body having a bottom brood-chamber partitioned to form a plurality of compartments or rooms, and above said brood-chamber being provided with a super open at the top and one side, a series of brood-frames removably suspended within 35 each compartment of the brood-chamber and provided with matching openings at top and bottom, a series of holding-boxes open at top and bottom and arranged within the super on top of said brood-frames, a plurality of honey- 40 sections arranged within each of said boxes and provided at the bottom with openings registering with the top openings of the brood-frames, a side door for the open side of the super, and a top cover for the open top thereof. 45

In testimony whereof I affix my signature in presence of two witnesses.

JOHN F. THOMPSON.

Witnesses:

A. J. SHELTON,  
MAUD DAVIS.