

W. W. DEMPSEY.  
SUPER FOR BEEHIVES.  
APPLICATION FILED MAY 11, 1905.

2 SHEETS—SHEET 1.

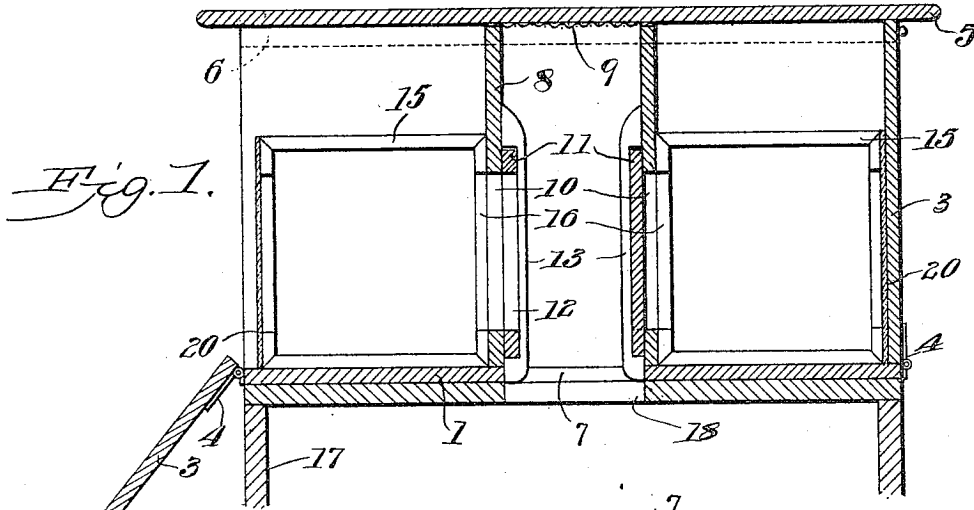


Fig. 1.

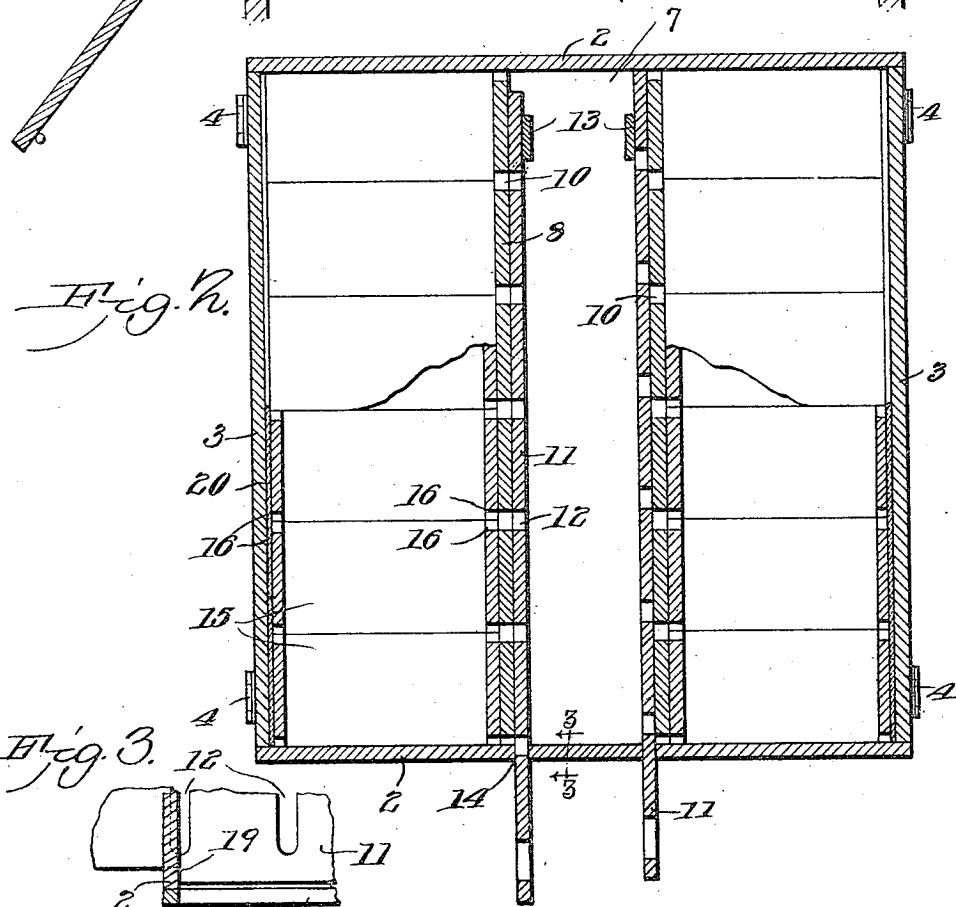


Fig. 2.

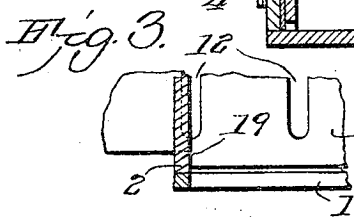


Fig. 3.

Witnesses

*E. H. Stewart*  
*H. A. Shepard*

Wilbern W. Dempsey, Inventor.

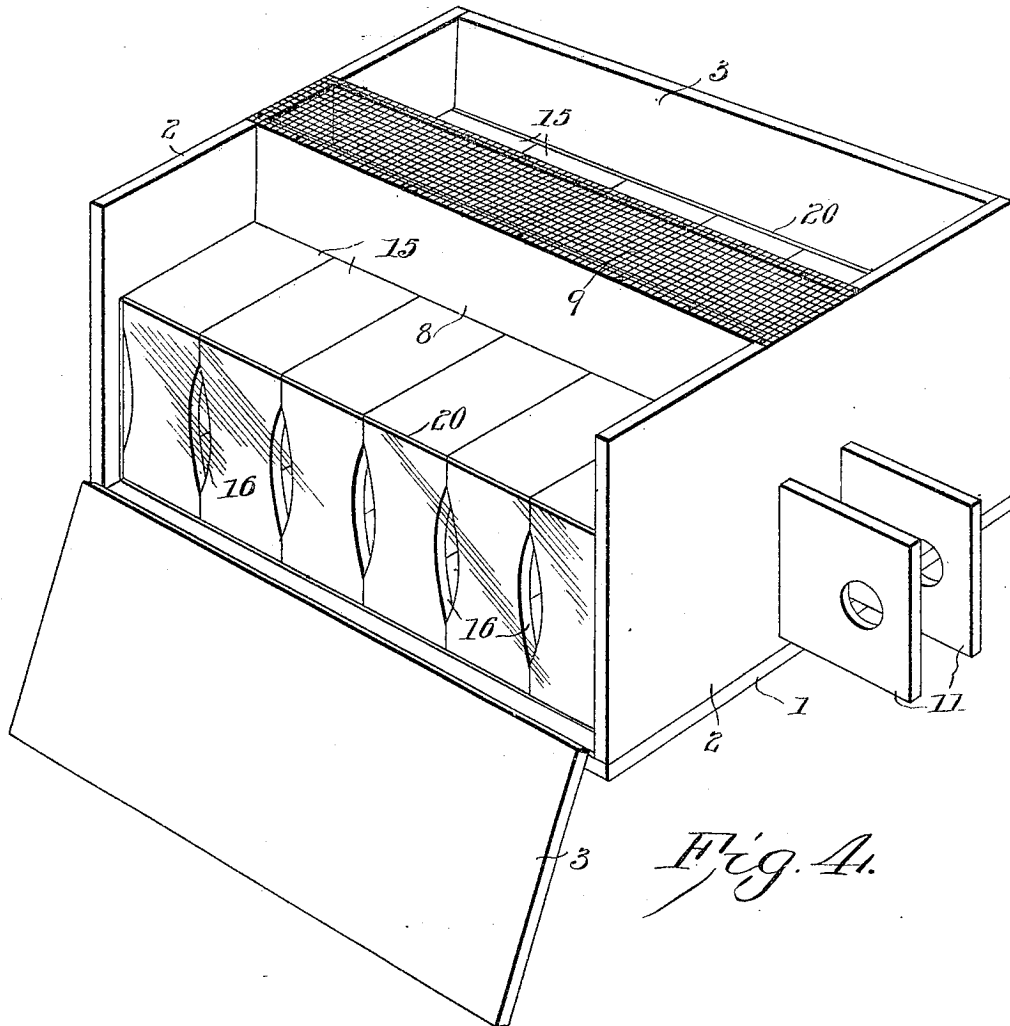
by *C. Snow & Co.*  
Attorneys

No. 808,144.

PATENTED DEC. 26, 1905.

W. W. DEMPSEY.  
SUPER FOR BEEHIVES.  
APPLICATION FILED MAY 11, 1905.

2 SHEETS—SHEET 2.



*Fig. 4.*

Witnesses

*E. J. Stewart*  
*H. A. Shepard*

*Wilbern W. Dempsey,*  
Inventor.

by *C. A. Snow & Co.*  
Attorneys

# UNITED STATES PATENT OFFICE.

WILBERN W. DEMPSEY, OF SIBLEY, IOWA.

## SUPER FOR BEEHIVES.

No. 808,144.

Specification of Letters Patent.

Patented Dec. 26, 1905.

Application filed May 11, 1905. Serial No. 259,947.

*To all whom it may concern:*

Be it known that I, WILBERN W. DEMPSEY, a citizen of the United States, residing at Sibley, in the county of Osceola and State of Iowa, have invented a new and useful Super for Beehives, of which the following is a specification.

This invention relates to beehives, and has for its object to provide an improved super or top therefor which has been arranged to permit observation of the bees passing to and from the super without liability of the bees becoming free, to conveniently cut off communication between the hive and the top, and to enable convenient removal of the comb-frames without removing the top and without exposing the attendant to the bees.

With these and other objects in view the present invention consists in the combination and arrangement of parts, as will be hereinafter more fully described, shown in the accompanying drawings, and particularly pointed out in the appended claims, it being understood that changes in the form, proportion, size, and minor details may be made within the scope of the claims without departing from the spirit or sacrificing any of the advantages of the invention.

In the accompanying drawings, Figure 1 is a central vertical sectional view taken through the top or super of the present invention seated upon a beehive. Fig. 2 is a horizontal sectional view thereof. Fig. 3 is a detail sectional view on the line 3 3 of Fig. 2. Fig. 4 is a perspective view of the super of the present invention with the top removed and one side let down.

Like characters of reference designate corresponding parts in each and every figure of the drawings.

The body of the present device is in the nature of a box preferably rectangular in form and includes a bottom 1, permanent sides 2, and foldable sides 3, each of which is connected to the bottom by means of hinges 4. There is also a removable cover 5, which is provided at each end with a depending cleat or flange 6 to engage the outer face of the adjacent permanent side of the super, so as to prevent endwise displacement of the cover. It will here be explained that the cleats or flanges are at the permanent sides only of the device in order that the hinged sides may not be obstructed, and thereby to permit of said hinged sides being folded downwardly and outwardly without removing the cover when-

ever access is desired to the interior of the device.

In the bottom of the super there is a longitudinal slot or opening 7, with upright partitions 8 extending between the bottom of the device and the top edge thereof at opposite sides of the opening 7, whereby the interior of the super is divided into an intermediate compartment and opposite side compartments. The top of the intermediate compartment is closed by a screen 9, while the tops of the other compartments are entirely open. Each partition 8 is provided with a series of upright openings or slots 10, and these slots are controlled by a slide 11 working within the compartment in contact with the adjacent face of the partition and provided with a series of slots 12 for alinement and disalinement with the slots of the partition. Adjacent the inner end of the slide there is a guide-loop 13, carried by the partition and receiving the slide, while the outer end of the slide projects through a slot 14 in one of the permanent sides of the device, so as to be accessible for adjusting the slide. Within each of the side compartments there is a series of comb-frames 15, which are arranged to have the joints between the successive frames in alinement with the openings 10 and 12 of the adjacent partition 8 and slide 11, the upright meeting edges of the frames being cut away or notched, as at 16, so as to form openings through which the bees may pass from the intermediate compartment into the comb-frames and back again into said intermediate compartment.

In practice the present super is placed upon the top of a hive, a portion of a conventional form of hive being indicated at 17 in Fig. 1, care being taken to have the opening 7 in the bottom of the super in alinement with the opening 8 in the top of the hive, so as to permit of the unrestricted passage of the bees from the hive into the intermediate compartment and back again into the hive. When the slides 11 are drawn outward, the openings 12 thereof come into alinement with the openings 10 of the partitions 8, whereupon the bees may have access to the comb-frames at opposite sides of the central compartment. It is proposed to limit the outward slidable movement of each slide and to stop the same when its openings are in alinement with the openings of the adjacent partition, a convenient manner of accomplishing this result being shown in Fig. 3, wherein it will be seen

that the projecting end portion or handle of each slide is somewhat reduced to form a shoulder 19 upon the slide, which shoulder is adapted to engage the adjacent permanent side of the super to stop the slide when its openings come into alinement with the openings of the adjacent partition. By reason of the screen-cover 9 for the intermediate compartment the bees cannot escape therethrough, while at the same time the condition of the bees may be conveniently viewed by removing the cover 5. When it is desired to remove the comb-frames, the slides are closed and the doors or hinged sides 3 are opened, whereupon the frames may be removed without subjecting the attendant to the bees.

To permit viewing the interior of the comb-frames without removing the same from the device, it is proposed to provide a transparent plate 20, of glass, isinglass, or the like, which is removably placed against the outer sides of each series of comb-frames, so that when either of the jaws or hinged sides is open the interiors of the frames may be viewed through the transparent plates and through the openings or notches 16 in the outer sides of said frame.

From the foregoing description it will be understood that the present super is entirely complete in itself and may be applied to any ordinary form of hive having an opening in the top thereof with which the opening 7 in the bottom of the super may be registered. Moreover, the device is constructed to give access to all parts thereof for convenience in cleansing the same and also to permit viewing of all parts of the device without liberating the bees, whereby handling of the device is materially simplified.

Having thus described the invention, what is claimed is—

1. A super for beehives comprising a receptacle divided into an entrance-compartment and comb-frame compartments, the bottom of the entrance-compartment having an entrance-opening, the walls between the entrance-compartment and the comb-frame compartments being provided with openings affording communication between the entrance-compartment and the comb-frame compartments, means to control communication between the entrance-compartment and the comb-frame compartments, and removable sides for the comb-frame compartments.

2. A super for beehives comprising a receptacle divided into a bee-compartment and a comb-frame compartment, the bee-compartment having an entrance-opening in the bottom thereof, the wall between the two compartments being provided with a series of openings, and a cut-off slide to control the openings in the wall, one end of the slide being reduced and projected through an opening in the receptacle to form a handle for ac-

cess from the exterior of the device, the reduced portion of the slide providing a shoulder to engage the adjacent wall of the receptacle and limit the outward movement of the slide.

3. A super for beehives comprising a receptacle divided into a bee-compartment and a comb-frame compartment, the bee-compartment having an entrance-opening in the bottom thereof, a screen-cover for the top of the bee-compartment, the comb-frame compartment having a closure to permit access to the interior thereof, and means to control communication between the two compartments.

4. A super for beehives comprising a receptacle having a bee-compartment and a comb-frame compartment, the bee-compartment having an entrance-opening in the bottom thereof, a screen-cover for the top of the bee-compartment, means for controlling communication between the two compartments, and a removable cover for the receptacle.

5. A super for beehives comprising a receptacle divided into a bee-compartment and a comb-frame compartment, the bee-compartment having an entrance-opening in the bottom thereof, a screen-cover for the top of the bee-compartment, means to control communication between the two compartments, a hinged side for the comb-frame compartment, and a removable cover for the receptacle, the hinged side capable of being opened without removing the cover.

6. A super for beehives comprising a receptacle divided into an intermediate bee-compartment and opposite comb-frame compartments, the bee-compartment having an entrance-opening in the bottom thereof, the walls between the compartments being provided with openings, slides for controlling the openings, hinged sides for the comb-frame compartments, a screen-cover for the bee-compartment, and a removable cover for the device.

7. The combination with a beehive having an exit-opening in the top thereof, of a super removably supported upon the top of the beehive and divided into an entrance-compartment and comb-frame compartments, the walls between the entrance-compartment and the comb-frame compartments being provided with openings, the bottom of the entrance-compartment being provided with an opening registering with the exit-opening in the top of the beehive, and means to control communication between the bee-compartment and the comb-frame compartments.

In testimony that I claim the foregoing as my own I have hereto affixed my signature in the presence of two witnesses.

WILBERN W. DEMPSEY.

Witnesses:

A. J. TATUM,  
O. J. FREY.