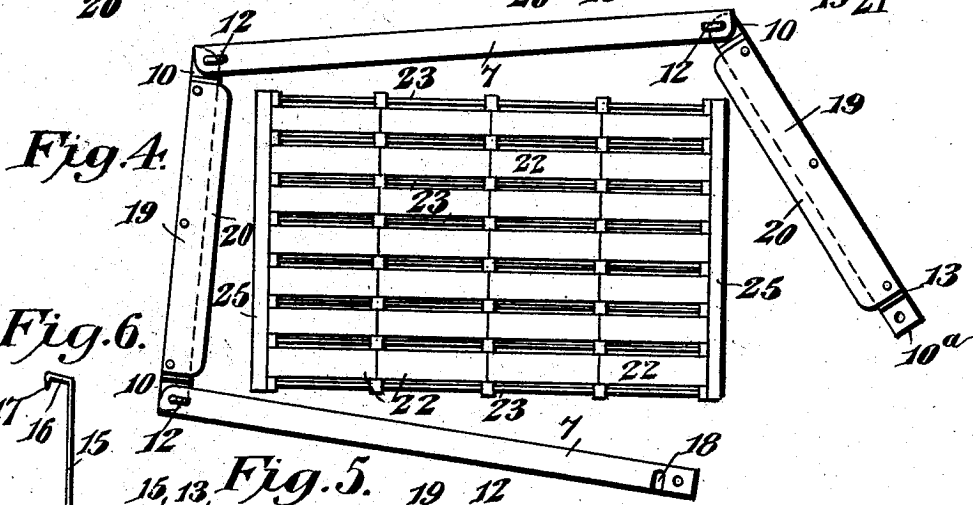
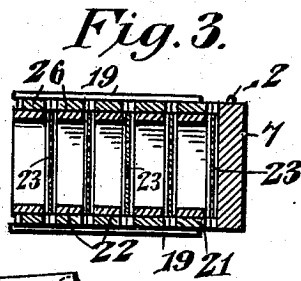
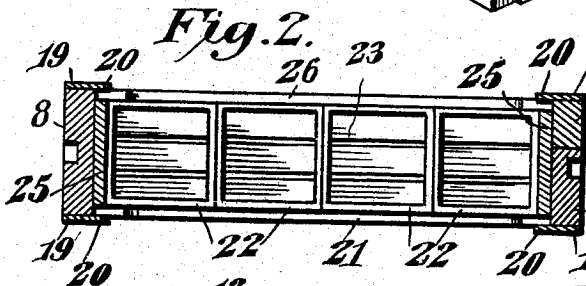
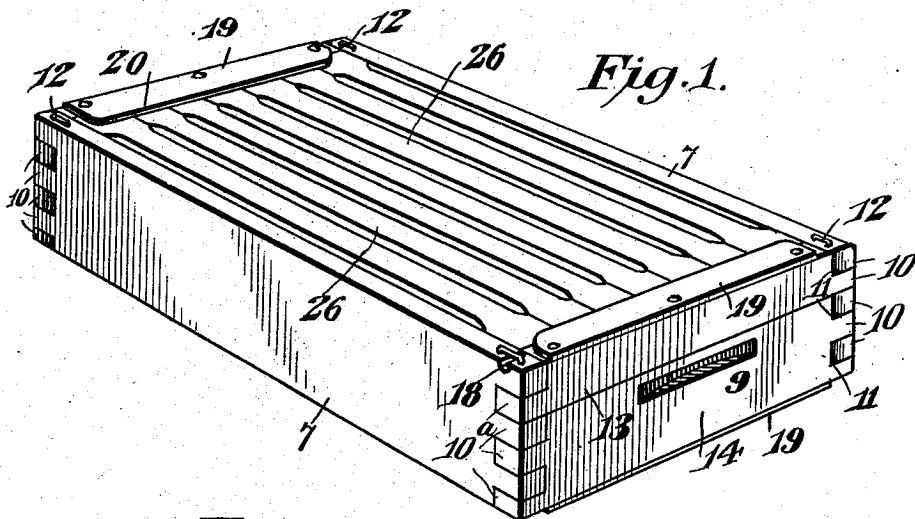


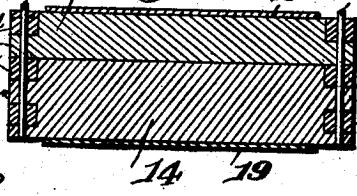
C. H. BACHMANN.
 SUPER FOR BEEHIVES.
 APPLICATION FILED MAY 13, 1908.

901,058.

Patented Oct. 13, 1908.



Witnesses
 Jas. E. McArthur
 R. H. [Signature]



Charles H. Bachmann, Inventor
 E. G. Siggers, Attorney

UNITED STATES PATENT OFFICE.

CHARLES HENRY BACHMANN, OF GUELPH, ONTARIO, CANADA.

SUPER FOR BEEHIVES.

No. 901,058.

Specification of Letters Patent.

Patented Oct. 13, 1908.

Application filed May 13, 1908. Serial No. 432,703.

To all whom it may concern:

Be it known that I, CHARLES HENRY BACHMANN, a subject of the King of Great Britain, residing at Guelph, Province of Ontario, and Dominion of Canada, have invented a new and useful Super for Beehives, of which the following is a specification.

As is well known to those skilled in the art bees will fill all cracks, crannies and joints with propolis or "bee-glue," thus always rigidly securing the furniture of a hive together and to the walls of said hive, both in the body and super thereof, making it very difficult to remove the section boxes of honey after the same have been filled and capped.

The primary object of the present invention is to provide a novel, simple and thoroughly practical super of a knockdown character that can be separated and removed from the body of sections and the furniture, so that the same can be separated with ease and expedition, and in like manner the super can be quickly and easily filled and placed in condition for application to a hive.

A further and important object is to provide a structure of the above character, which will occupy but little space in storage.

The preferred embodiment of the invention is illustrated in the accompanying drawings, wherein:—

Figure 1 is a perspective view of a super, showing the furniture therein. Fig. 2 is a longitudinal sectional view through the same. Fig. 3 is a cross sectional view through a portion of the super. Fig. 4 is a plan view showing the super open. Fig. 5 is a detail sectional view through one of the end walls. Fig. 6 is a detail perspective view of the detachable supporting pin.

Similar reference numerals designate corresponding parts in all the figures of the drawings.

In the embodiment illustrated, the super body in general outline corresponds to those now in common use, and comprises two side walls 7 and two end walls 8 and 9. These walls have mortise and tenon joints 10 at their meeting ends, the tenons, however, having their inner portions cut away or rounded as shown at 11 except at one corner of the super body. Pivot pins 12 pass through the three corners having the rounded or cut-away tenons, thereby producing hinge connections between one of the end walls and both of the side walls, and between the other

end wall, and one of the side walls, as will be clear by reference to Fig. 4.

The end wall 9, as clearly shown in Figs. 1, 2 and 5, comprises upper and lower sections 13 and 14, and the mortises designated 10^a at one end thereof, are detachably inter-fitted with the corresponding mortises of the coacting side wall. Through these mortises is passed a detachable holding pin 15 having an offset upper end 16, which preferably terminates in a spur 17. The offset end 16 bridges a socket 18 formed in the side wall.

The end walls have secured to their upper and lower edges metallic plates 19 which project beyond the inner faces of said end walls, forming upper and lower flanges 20. The lower flanges constitute supports for the furniture of the super, said furniture comprising lower slats or strips 21 on which the sections 22 are placed, said slats or strips having their adjacent margins, except at the ends, cut away sufficiently to permit the passage of bees. Division strips or fences 23 of any suitable character bridge the space between the end walls 8 and 9, and separate the rows of sections in a manner well understood. Closure strips 25, located between the ends of the rows, and the end walls are mounted on the ends of the supporting strips or slats 21, and cover strips or slats 26 are arranged upon the upper edges of the strips 25 and cover the upper walls of the sections.

In filling a super with empty sections, the walls are brought into interlocking relation with the exception of the upper section 14 of the end wall 9, the strips or slats 21 are placed in position, the closure strips 25 are located thereon and the sections and fences placed in position, after which the cover strips 26 are introduced. The section 14 is then closed and the pin 15 passed downwardly through the tenons, thus securing the parts in position. The super is now ready for application to a hive. After the sections have been filled and capped and the super removed from the hive, to secure the contents, it is only necessary to remove the pin 15 and this can be readily accomplished by introducing a suitable instrument into the socket 18 and prying said pin upwardly so that it may be readily grasped. With a corner thus released, it will be evident that the walls can be swung to open position, as shown in Fig. 4, whereupon the furniture with the sections therein are released, and

can be readily separated. With this structure therefore it will be evident that the super can be filled and emptied without difficulty and without loss of time. More-
 5 over for storing, the walls can be laid flat so that they will occupy but little space while the furniture being also flat and thin, will occupy but little room.

From the foregoing, it is thought that the
 10 construction, operation and many advantages of the herein described invention will be apparent to those skilled in the art, without further description, and it will be understood that various changes in the size, shape,
 15 proportion, and minor details of construction, may be resorted to without departing from the spirit or sacrificing any of the advantages of the invention.

Having thus fully described my invention,
 20 what I claim as new, and desire to secure by Letters Patent, is:—

1. In a structure of the character set forth, the combination with upright side and end walls, of hinge connections between one of
 25 the end walls and both side walls, a hinge connection between the other end wall and one of the side walls, a detachable connection between said other end wall, and the other side wall, and hive furniture located within
 30 and inclosed by said wall, said furniture being supported solely by said end walls.

2. In a structure of the character set forth, the combination with upright side and end walls having mortise and tenon joints at
 35 their meeting ends, of pivots located in certain joints to permit the relative swinging movement of the walls, a detachable pin located in one of the joints for detachably securing together the meeting ends at said
 40 joint, said pin having an offset upper end that lies upon the edge of the adjacent wall, said wall having a tool-receiving socket beneath the end and hive furniture located within and inclosed by said walls.

3. In a structure of the character set forth, the combination with upright separable walls, one of said walls comprising relatively
 45 movable upper and lower sections and one of said sections being movable when the other section and the walls are in associated relation, of hive furniture located within and inclosed by said wall.

4. In a structure of the character set forth, the combination with upright walls, of hinge
 55 and detachable connections between the walls, one of said walls comprising separate relatively swinging sections, and hive furniture located within and inclosed by said walls.

60 5. In a structure of the character set forth, the combination with upright walls having mortise and tenon joints at their meeting

ends, of pivots located in certain of said joints to permit the relative swinging move-
 65 ments of the walls, a detachable pin located in one of the joints for detachably securing together the meeting ends at said joint, one of the walls comprising upper and lower relatively swinging sections engaged by the detachable pin, and hive furniture located
 70 within and inclosed by said walls.

6. In a structure of the character set forth, the combination with separable upright angularly disposed side walls hinged together, certain of said walls having upper and lower
 75 inwardly projecting flanges, of hive furniture located between the flanges and supported by the lower flange.

7. In a structure of the character set forth, the combination with separable upright angularly disposed side walls hinged together, certain of said walls having lower inwardly
 80 projecting supporting flanges, of section supporting means located on the flanges, end closure strips and division fences located on the supporting means, and section covering means located upon the closure strips.

8. In a structure of the character set forth, the combination with separable upright angularly disposed side walls hinged together, certain of said walls having upper and lower
 90 inwardly projecting flanges, and one of said walls comprising upper and lower relatively swinging sections, of section supporting strips located on the lower flanges, end closure strips and division fences located on the supporting strips, and section covering strips supported at their ends by the end supporting strips.

9. In a structure of the character set forth, the combination with upright angularly disposed upright side and end walls having mortise and tenon joints at their intermediate ends, of pivots located in certain of said joints to permit the relative swinging movement of the
 105 walls, a detachable pin located in one of the joints for detachably securing together the meeting ends at said joint, one of the end walls comprising upper and lower sections engaged by said pin, flanges carried by the upper and lower portions of the end walls and projecting beyond the inner faces thereof, supporting strips detachably mounted on the lower flanges, division fences located between the end walls, and section covering
 110 strips disposed beneath the upper flanges.

In testimony, that I claim the foregoing as my own, I have hereto affixed my signature in the presence of two witnesses.

Witnesses:

CHARLES HENRY BACHMANN.

WILLIAM A. CHRISTIE,

JOSEPH CURZON.