

J. E. DOUGLAS.

BEEHIVE.

APPLICATION FILED APR. 22, 1908.

Patented Jan. 19, 1909.

3 SHEETS—SHEET 1.

910,047.

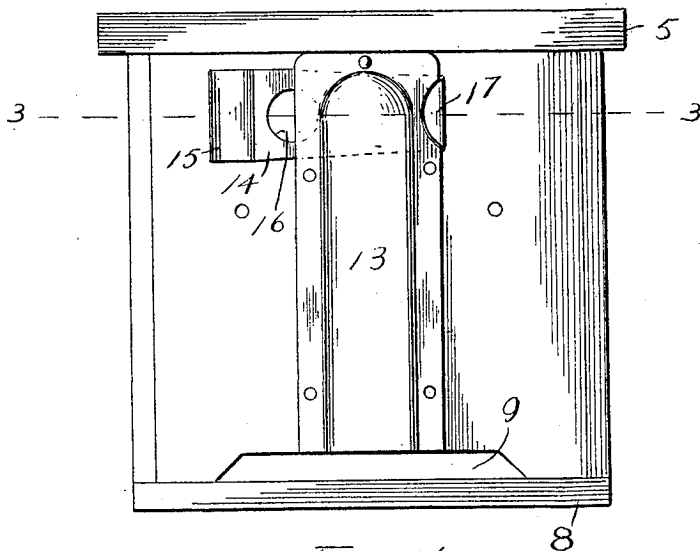


Fig. 1

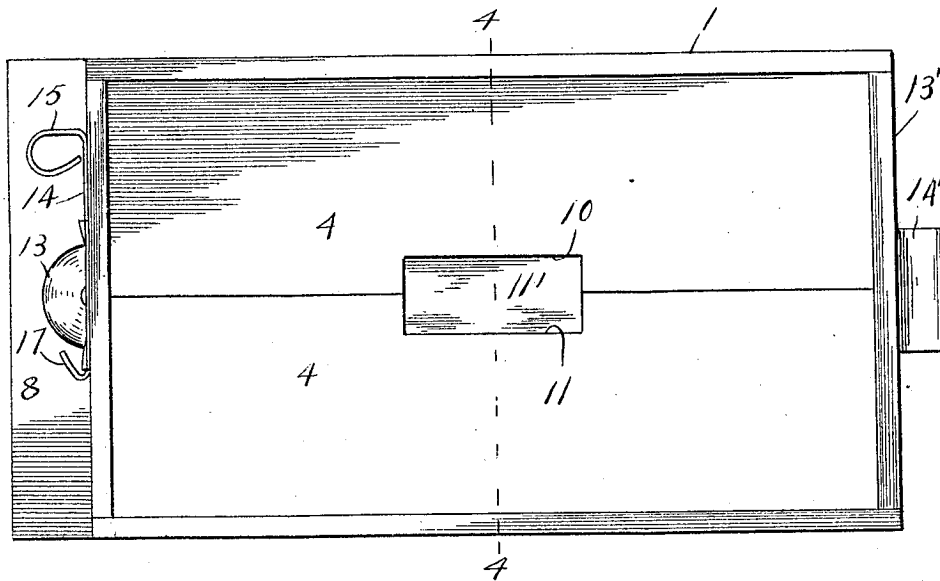


Fig. 2.

Inventor

James E. Douglas.

Witnesses

J. C. Simpson
M. J. Miller

By *Charles W. ...*

Attorney &

J. E. DOUGLAS.

BEEHIVE.

APPLICATION FILED APR. 22, 1908.

910,047.

Patented Jan. 19, 1909.

3 SHEETS—SHEET 2.

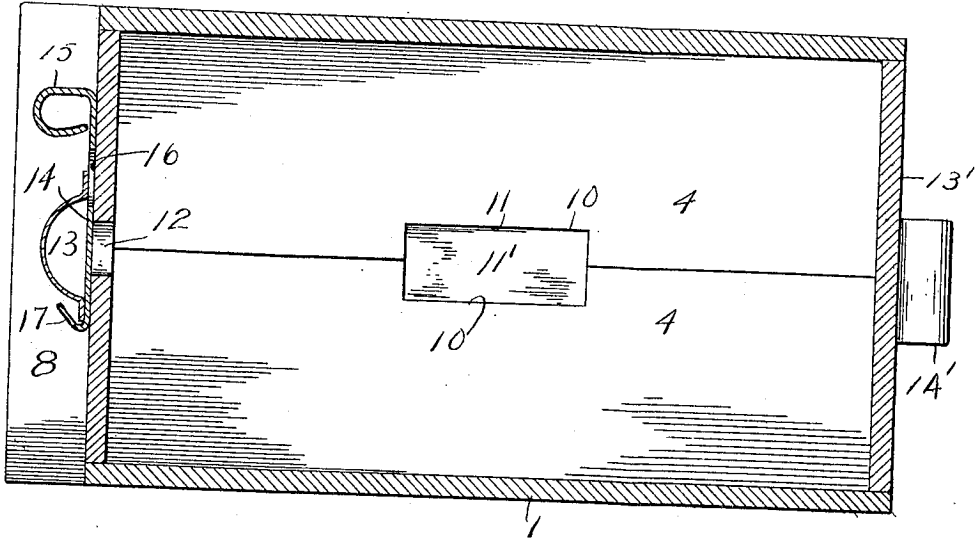


Fig. 3.

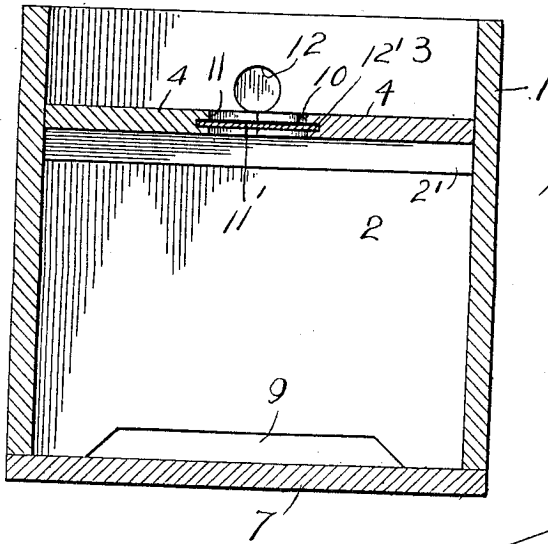
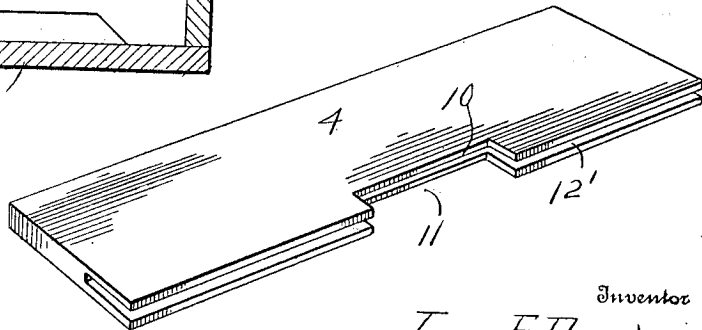


Fig. 4.

Fig. 5.



Witnesses

J. C. Simpson
M. J. Miller

Inventor

James E. Douglas.

384

Charles C. ...

Attorney S.

J. E. DOUGLAS.
BEEHIVE.

APPLICATION FILED APR. 22, 1908.

910,047.

Patented Jan. 19, 1909.

3 SHEETS—SHEET 3.

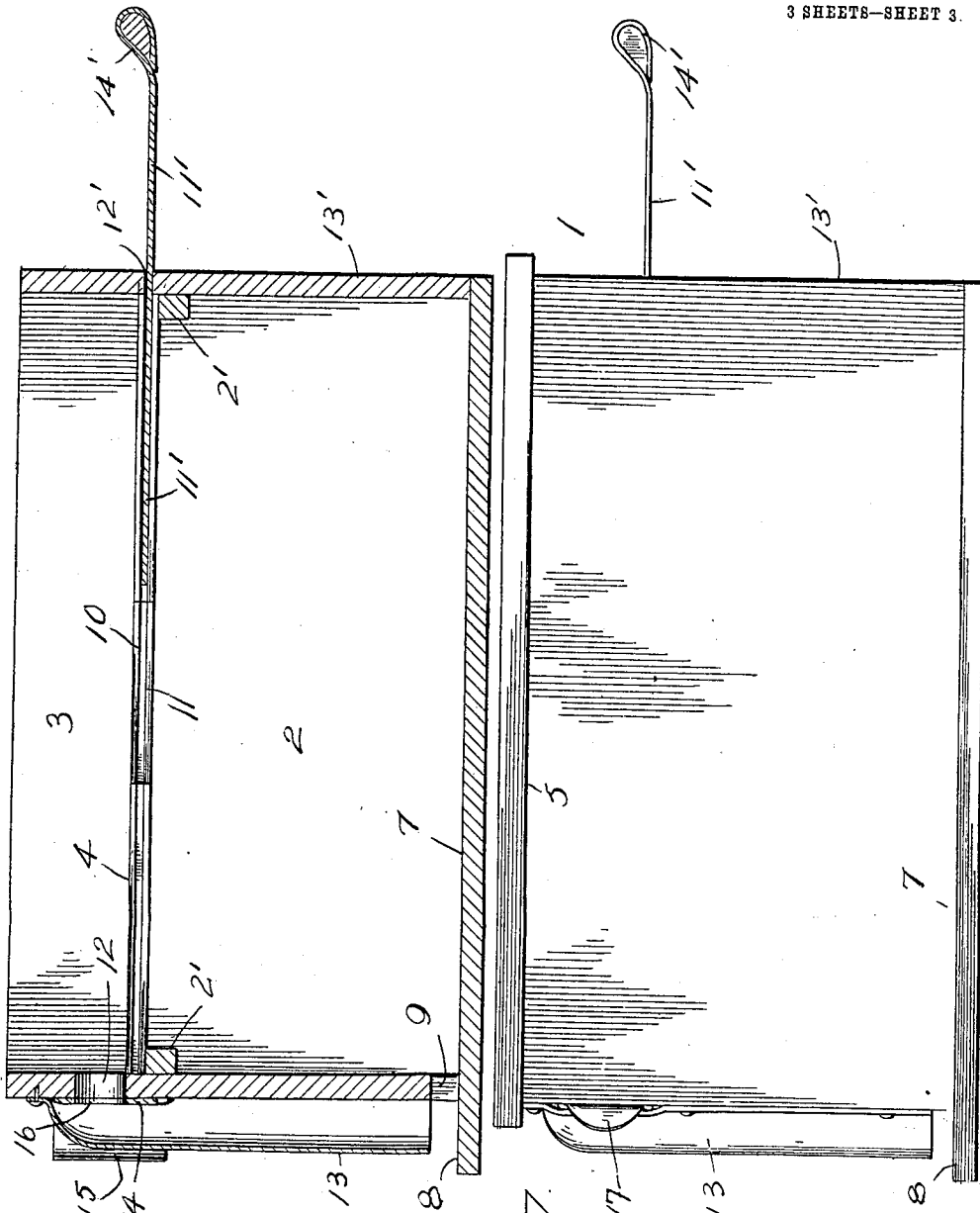


FIG. 6

FIG. 7

Witnesses
J. C. Simpson.
M. J. Miller

Inventor
James E. Douglas.

By *Charles Chandler*

Attorney

UNITED STATES PATENT OFFICE.

JAMES E. DOUGLAS, OF PARKERSBURG, WEST VIRGINIA.

BEEHIVE.

No. 910,047.

Specification of Letters Patent.

Patented Jan. 19, 1909.

Application filed April 22, 1908. Serial No. 428,677.

To all whom it may concern:

Be it known that I, JAMES E. DOUGLAS, a citizen of the United States, residing at Parkersburg, in the county of Wood, State of West Virginia, have invented certain new and useful Improvements in Beehives; and I do hereby declare the following to be a full, clear, and exact description of the invention, such as will enable others skilled in the art to which it appertains to make and use the same.

This invention relates to bee hives, and it has for its object to provide a construction wherein the bees may be confined in the bottom of the hive when the honey is to be removed from the supers.

A further object of the invention is to provide novel features of construction of the various elements that contribute to the above result.

In the drawings forming a portion of this specification and in which like numerals of reference indicate similar parts in the several views, Figure 1 is an end view showing a hive embodying the present invention, Fig. 2 is a top plan view of the hive with the cover removed, Fig. 3 is a horizontal section on line 3—3 of Fig. 1, Fig. 4 is a vertical section on line 4—4 of Fig. 2, Fig. 5 is a detail perspective view of one of the sections of the horizontal partition, Fig. 6 is a vertical longitudinal section through the hive, the edge of one of the partition members being shown in elevation, Fig. 7 is a side elevation of the hive.

Referring now to the drawings, there is shown a hive comprising a body portion 1, of rectangular form in the present instance, and which body portion includes a lower compartment 2 and an upper compartment 3. The compartments are divided by a partition consisting of two sections 4, of equal dimensions, the ends of which sections rest upon the cleats 2' secured against the inner faces of the ends of the hive body.

In the mutually adjacent longitudinal edges of the section 4 and mid-way of their ends, are formed angular recesses 10 which cooperate to form an opening 11 through which access may be had to either compartment from the other, as will be readily understood.

The mutually adjacent ends of the partition members 4 are slotted or grooved longitudinally as illustrated, and in these grooves, is engaged a slide 11' which passes through

a registering opening 12' in the rear end 13' of the body of the hive. The slide is provided with a handle 14' through the medium of which it may be manipulated to close or open the opening 11. It will of course be understood that the engagement of the slide 11' in the grooves, serves to prevent tilting of the members 4 so that a more or less rigid structure results.

Through the front wall of the body of the hive at the bottom thereof there is formed the usual opening 9 for ingress and egress of the bees, the bottom 7 of the hive body projecting slightly beyond the forward end of the hive in the usual manner to form a lighting board.

A second opening 12 is formed through the front wall of the hive body, but above the horizontal partition above referred to, this opening forming a means of egress for the bees from the upper compartment 3 when the slide 11' is in closed position for the purpose hereinafter explained.

Upon the front of the body of the hive, there is secured a housing 13, the upper end of which is closed and which extends over the opening 12 from a point above said opening to the level of the upper edge of the opening 9, as illustrated in the drawings. The object of this housing is to direct the bees from the opening 12 downwardly to the lighting board, and at the same time to permit the sound of the bees on the lighting board to travel up to said opening 12 and thus attract such bees as may be in the compartment 3 when the latter is to be emptied of the bees as hereinafter explained.

In order that the opening 12 be closed under normal conditions, a slide 14 is provided which works between the housing 13 and the front end of the hive body, said housing being slightly offset in parts for this purpose. Slide 14 is provided with a handle 15 at one end by means of which it may be manipulated to move its opening 16 into or out of registration with the opening 12. At the opposite end of the slide 14 is an ear 17 which by engagement with the housing 13 limits the outward movement of the slide 14 and thus prevents total disengagement thereof.

In the use of the hive, when it is desired to remove the honey from the upper compartment 3, it is of course desirable to exclude the bees therefrom and for this pur-

pose the slide 11' is moved into position to close the opening 11 as illustrated in Figs. 2, 3 and 4 of the drawings, while the slide 14 is shifted to bring its opening 16 into registration with the opening 12 so that those bees that may be in the compartment 3, can pass outwardly through the opening 12 to the housing 13 and thence downwardly to the lighting board 8. When the bees have passed out of the upper compartment 3, the slide 14 may be moved into closed position, after which the cover of the hive may be removed and the honey taken out with perfect safety to the operator. It will of course be understood that this operation is to be performed at the proper time well known to those skilled in the art, and that to prevent egress of the bees through the opening 9, a stick or other suitable closure may be placed upon the lighting board 8 and wedged between it and the housing 13 so as to hold it in position.

After the operation of removing the honey is at an end, the slide 11' is drawn outwardly into its previous position to open the opening 11, the new frames and cover having been previously put into place.

From the above description it will be understood that there is accomplished everything in this construction that is sought, it being further understood that modifications may be made and any suitable material and proportions may be used for the various parts. Further it will be understood that

provision of the sectional partitions including the members 4, provides for easy removal of this partition for cleansing of the hive when desired.

What is claimed is:—

A bee-hive, the lower front portion of which is provided with an opening, a second opening being within the upper front portion of said housing above said first mentioned opening, a housing open at its lower end extending from said upper opening and terminating at the upper edge of said lower opening, a slide held within said housing to cover said upper opening, cleats within said housing, two partition members held horizontally upon said cleats to divide said hive into an upper and a lower compartment, said upper opening leading into said upper and said lower opening into said lower compartment, each of said partition members having a recess to form a central opening within said partition, the mutually-adjacent longitudinal edges of said partition members being slotted, and a slide within said slotted members extending through said housing, to close said central opening all arranged as disclosed.

In testimony whereof, I affix my signature, in presence of two witnesses.

JAMES E. DOUGLAS.

Witnesses:

GERTRUDE BEORN,
ELIZABETH LEVEN.