

G. R. SINNICKSON.
BEEHIVE.

APPLICATION FILED JULY 20, 1908.

940,407.

Patented Nov. 16, 1909.

Fig. 3.

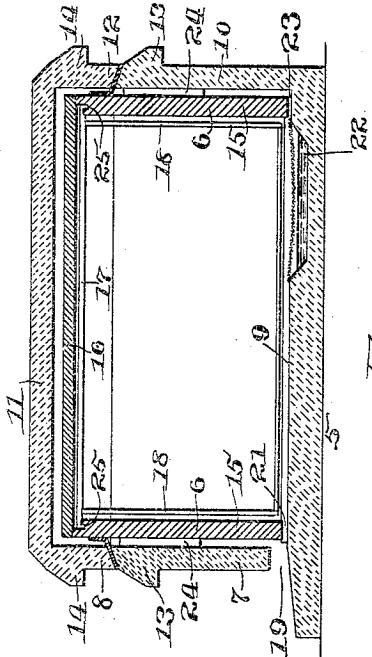


Fig. 4.

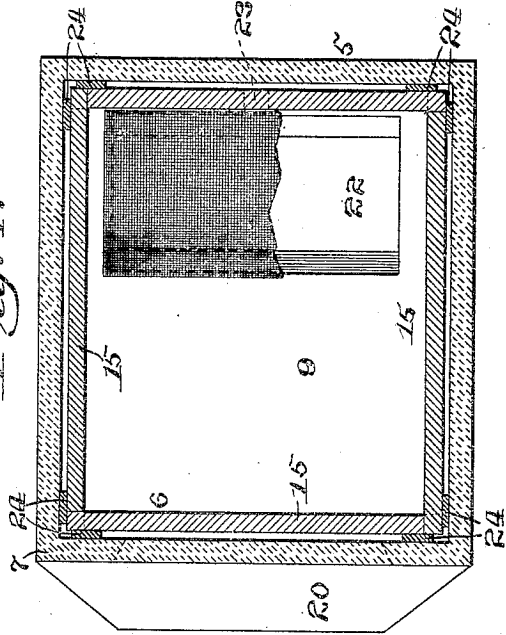


Fig. 1.

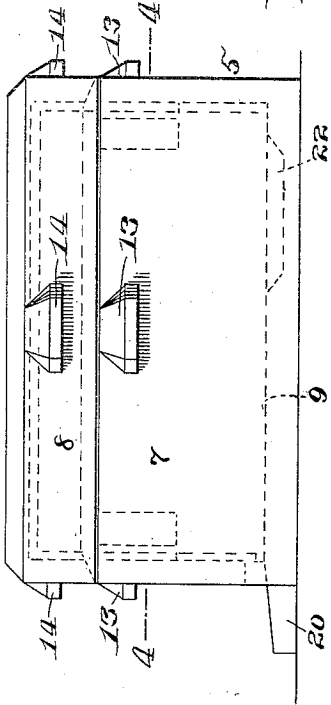
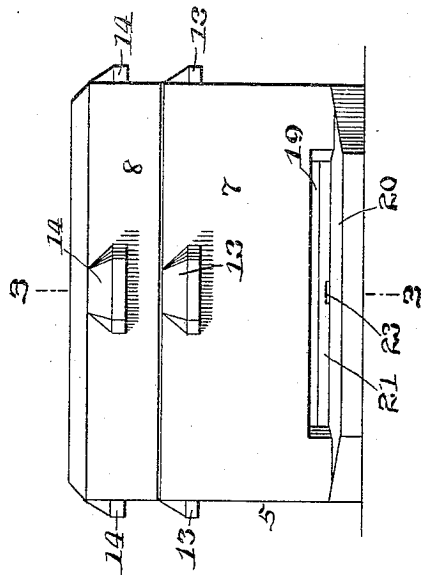


Fig. 2.



WITNESSES:

E. H. Samble
E. M. Wase

INVENTOR

George R. Sinnickson
BY

Walter C. Pusey
ATTORNEY.

UNITED STATES PATENT OFFICE.

GEORGE R. SINNICKSON, OF HADDONFIELD, NEW JERSEY.

BEEHIVE.

940,407.

Specification of Letters Patent. Patented Nov. 16, 1909.

Application filed July 29, 1908. Serial No. 444,543.

To all whom it may concern:

Be it known that I, GEORGE R. SINNICKSON, a citizen of the United States, and resident of Haddonfield, Camden county, State of New Jersey, have invented certain new and useful Improvements in Beehives, of which the following is a full, clear, and exact description, reference being had to the accompanying drawings.

The object of my invention is to provide a simple and efficient bee-hive constructed partly of wood and partly of concrete, whereby greater protection is afforded to the bees than heretofore, and whereby many novel advantages are attained, as will be hereinafter fully described and particularly claimed.

In the drawings:—Figure 1 is a side elevation of my improved bee-hive. Fig. 2 is a front elevation thereof. Fig. 3 is a vertical section as on the line 3—3 of Fig. 2. Fig. 4 is a horizontal section, as on the line 4—4 of Fig. 1.

5 designates an outer casing constructed of concrete, and 6 designates an inner casing constructed of wood. The outer concrete casing 5 is made in two parts, 7 designating the lower part, and 8 the upper part. The lower part 7 of the outer concrete casing 5 comprises a floor portion 9 and upwardly extending side walls 10, and the upper part 8 of the outer concrete casing 5 comprises a top 11 and side walls 12 in line with the side walls 10 of the lower portion 7. The tops of the side walls 10 of the lower portion 7 are beveled upwardly and inwardly, and the bottoms of the side walls 12 of the upper portion 8 are also beveled upwardly and inwardly and fitted to the beveled portions of the walls 10. Interposed between the beveled portions of the parts 7 and 8 is a strip of flexible material such, for example, as oil-cloth, which has its inner edge connected to the inner wooden casing 6, as shown, thus affording a tight joint between the lower and upper parts 7 and 8, which, together with the fact that the two parts 7 and 8 are joined by upwardly and inwardly beveled surfaces, effectually prevents rain from entering the outer casing.

The lower part 7 of the outer concrete casing is provided with suitable handles 13 by means of which the hive may be moved from place to place, and the upper part 8 is also provided with suitable handles 14, by means

of which the part 8 may be removed from the part 7 when desired.

The inner wooden casing 6 is open at its bottom and it comprises the side walls 15, and the top board 16, the side walls 15 resting upon the floor 9 of the outer concrete casing. The outer faces of the walls 15 of the inner wooden casing are arranged inwardly of the inner faces of the walls 10 and 12 of the outer concrete casing; and the top of the top board 16 of the inner casing is arranged below the bottom of the top 11 of the outer concrete casing, thus providing an air space between the inner wooden casing 6 and the outer concrete casing 5, which air space extends around the sides and over the top of the inner casing

Formed in the upper portions of two opposite walls 15 of the inner wooden casing 6 are grooves 25 into which are inserted the extended ends of the upper bars 17 of the frames 18, which are thus suspended within the inner wooden casing 6 for the reception of the honey combs and honey deposited by the bees.

Formed in the lower portion of the wall 10 in the front portion of the hive, is an opening 19, through which the bees may enter the hive, and directly beneath the entrance opening 19 the floor portion 9 extends forwardly beyond the hive to provide a platform 20, to receive the bees as they pass to and from the hive.

One of the walls 15 of the inner wooden casing 6 is provided, directly in rear of the opening 19, with an opening 21, through which the bees may enter the inner wooden casing 6.

Formed in the floor portion 9 of the concrete casing in the rear portion of the hive is a depression or trough 22 for the reception of feed for the bees, and extending over the depression 22 is a covering of cheese-cloth or other suitable porous material through which the feed may pass, and which serves as a means to prevent the bees from drowning in the feed within the depression 22.

The bottom of the wall 15 of the inner wooden casing 6 adjacent the depression 22 is provided with a small opening 23 through which the feed may pass to the depression 22 after it has been poured through the space between the inner and outer casings at the rear of the hive.

After the inner wooden casing 6 has been properly set within the lower portion 7 of the outer concrete casing, in spaced relation thereto, the same is held in place by 5 pieces of wood or other suitable material 24 driven or wedged into the space between the outer and inner casings 5 and 6, near the four corners thereof, as shown. These 10 pieces of wood or members 24 also serve to prevent the wood forming the inner casing 6 from warping or separating where they are joined at the corners of the inner casing.

Among the many advantages of combining 15 an outer casing constructed of concrete with an inner casing constructed of wood, are the following:—The provision of a beehive which will effectually protect the bees during extreme cold weather and which will 20 afford protection from sun and keep the hive cool during hot weather in summer, on account of the nature and color of the concrete. The provision of a hive which may rest directly upon the ground without injury 25 to the hive, thus dispensing with the necessity for using a hive stand. The provision of a hive which may not be entered by rats, mice, birds, ants, roaches, &c., except through the entrance to the hive which 30 is protected by the bees themselves. The provision of a strong and durable hive which will keep dry during all kinds of weather. The provision of a hive from around which the grass may be burned away without injury 35 to the hive, in the autumn.

Having thus described my invention, I claim as new and desire to secure by Letters Patent:—

1. In a bee-hive, an outer concrete casing 40 comprising a bottom, side walls and a cover and having an entrance opening; an inner

wooden casing comprising side walls and a cover and having an entrance opening; and comb frames suspended within the wooden casing. 45

2. In a bee-hive, an outer concrete casing comprising a bottom, side walls and a cover and having an entrance opening; an inner wooden casing comprising side walls and a cover and having an entrance opening, the 50 side walls of the inner casing being arranged in spaced relation to the side walls of the outer casing; and comb frames suspended within the wooden casing.

3. In a bee-hive, an outer concrete casing 55 comprising a bottom, side walls and a cover and having an entrance opening; an inner wooden casing comprising side walls and a cover and having an entrance opening; the side walls of the inner casing being arranged 60 in spaced relation to the side walls of the outer casing; spacing members within the space between said casings; and comb frames suspended within the wooden casing. 65

4. A bee hive comprising an inner wooden casing having an entrance opening, a two part outer concrete casing, the lower part having an entrance opening and an upwardly and inwardly beveled top and the 70 upper part having an upwardly and inwardly beveled bottom fitted to the top of the lower part, and a strip of flexible material connected to the inner casing and extending between the two parts of the outer casing. 75

In testimony whereof, I have hereunto affixed my signature.

GEORGE R. SINNICKSON.

Witnesses:

S. I. HARPER,
E. M. WARE.