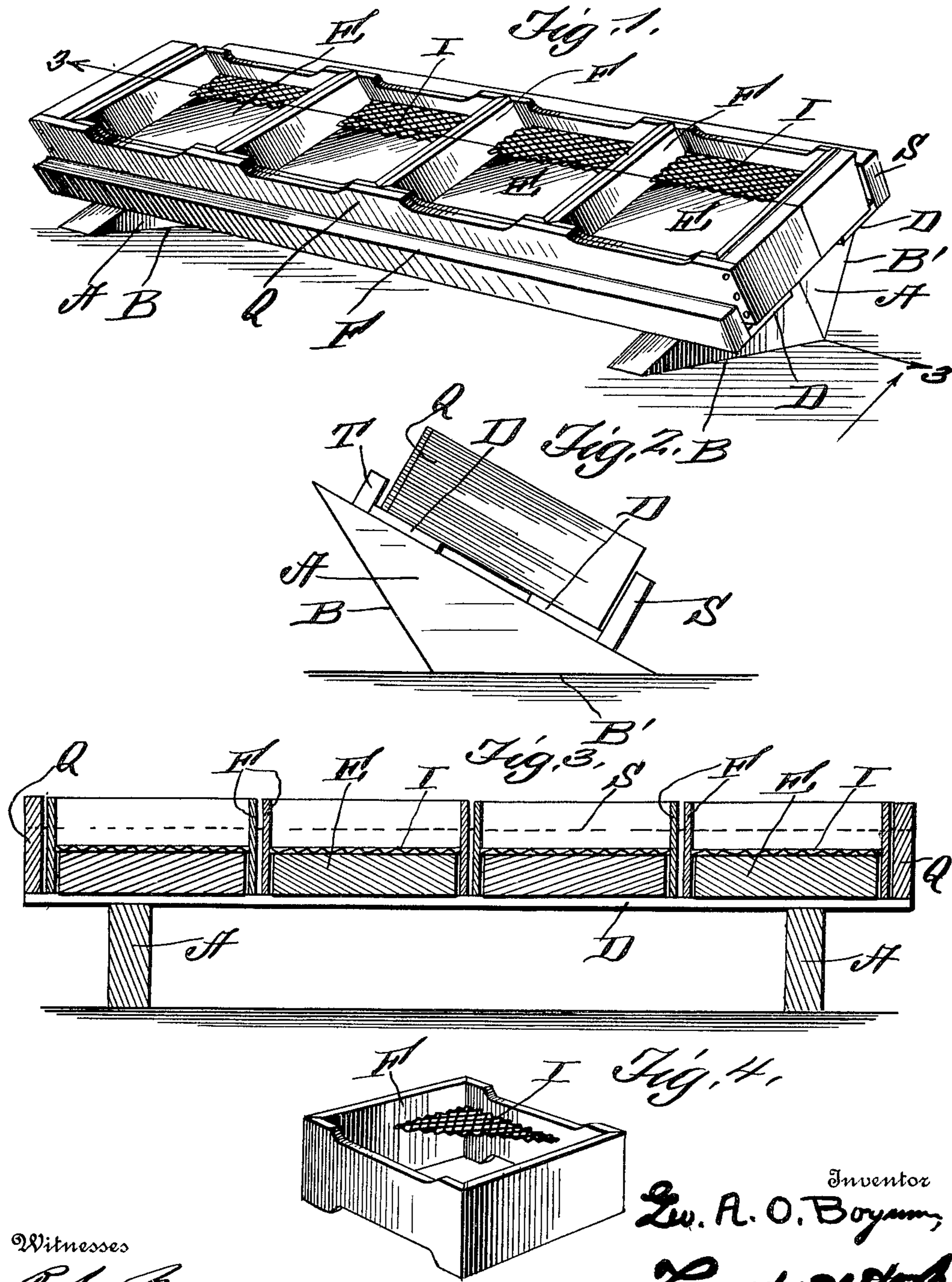


G. A. O. BOYUM.  
 HONEYCOMB FOUNDATION STARTER.  
 APPLICATION FILED APR. 6, 1911.

999,544.

Patented Aug. 1, 1911.



Witnesses  
*R. A. Jewell,*  
*A. L. Hough*

Inventor  
*G. A. O. Boyum,*  
*Franklin M. Clark*  
 Attorney

# UNITED STATES PATENT OFFICE.

GEORGE A. O. BOYUM, OF RUSHFORD, MINNESOTA.

HONEYCOMB FOUNDATION STARTER.

999,544.

Specification of Letters Patent.

Patented Aug. 1, 1911.

Application filed April 6, 1911. Serial No. 619,323.

*To all whom it may concern:*

Be it known that I, GEORGE A. O. BOYUM, a citizen of the United States, residing at Rushford, in the county of Fillmore and State of Minnesota, have invented certain new and useful Improvements in Honeycomb Foundation Starters; and I do hereby declare the following to be a full, clear, and exact description of the invention, such as will enable others skilled in the art to which it appertains to make and use the same, reference being had to the accompanying drawings, and to the letters and figures of reference marked thereon, which form a part of this specification.

This invention relates to new and useful improvements in devices for holding honey boxes or sections for convenience in attaching comb starters and comprises various details of construction and combinations and arrangements of parts which will be herein after fully described and then specifically defined in the appended claims.

I illustrate my invention in the accompanying drawings, in which:

Figure 1 is a perspective view of my invention. Fig. 2 is an end view. Fig. 3 is a sectional view on line 3-3 of Fig. 1, and Fig. 4 is a detail view of one of the boxes.

Reference now being had to the details of the drawings by letter, A, A designate two rockers having inclined edges B and B'. Upon the upper surface of said rockers are the two strips D spaced apart and fastened thereto are the blocks E which are of sufficient size to receive the sections F adapted to fit over the same and rest upon said strips D. Said blocks are preferably of a thickness equal to substantially half the depth of the sections and are designed to support the foundation starters I while they are being fastened to the said sections. Resting also upon the upper surfaces of the strips D is the section holder Q which coöperates with the flange S to securely hold the sections in place while the foundation starters are be-

ing secured by mounting the wax or in any suitable manner. Said section holder S is held from movement in one direction by a flange T which is fastened to the marginal edge of one of said strips D and is secured to the upper surfaces of the rockers.

In operation, a section is fitted over each of the blocks and the section holder inserted in the manner shown in the drawings, thus holding said sections securely in place. The foundation starters are placed upon the upper surfaces of the blocks and in contact with the inner face of the sections and, by applying any suitable tool, preferably heated, the wax foundation starter may be melted and caused to adhere to the sections. The corners, forming also part of the foundation, are fastened in place in a similar manner.

From the foregoing, it will be readily understood that, by the provision of an apparatus as shown and described, a simple and efficient means is afforded whereby foundation starters may be attached to a series of sections, each starter being fastened at a uniform location, determined upon by the thickness of the block in which the section fits.

What I claim to be new is:

1. A device for starting foundations for honeycombs comprising angled rockers, strips fastened thereto, blocks upon the latter about each of which a section is adapted to be held, said blocks serving as means for holding the starters while being fastened to the inner faces of the section.

2. A device for starting foundations for honeycombs comprising angled rockers, strips fastened thereto, blocks upon the latter about each of which a section is adapted to be held, said blocks serving as means for holding the starters while being fastened to the inner faces of the section, and a section holder resting upon said strips and engaging about the end sections.

3. A device for starting foundations for

honeycombs comprising angled rockers, strips fastened thereto, blocks upon the latter about each of which a section is adapted to be held, said blocks serving as means for  
5 holding the starters while being fastened to the inner faces of the section, a section holder resting upon said strips and engaging about the end sections, flanges mounted

upon said rockers and adapted to retain the section holder. 10

In testimony whereof I hereunto affix my signature in the presence of two witnesses.

GEORGE A. O. BOYUM.

Witnesses:

F. A. OLSON,  
O. E. BOYUM.

---

Copies of this patent may be obtained for five cents each, by addressing the "Commissioner of Patents, Washington, D. C."

---