

W. HOSTETER.
 HONEY SUPER FOR BEEHIVES.
 APPLICATION FILED SEPT. 5, 1911.

1,011,793.

Patented Dec. 12, 1911.

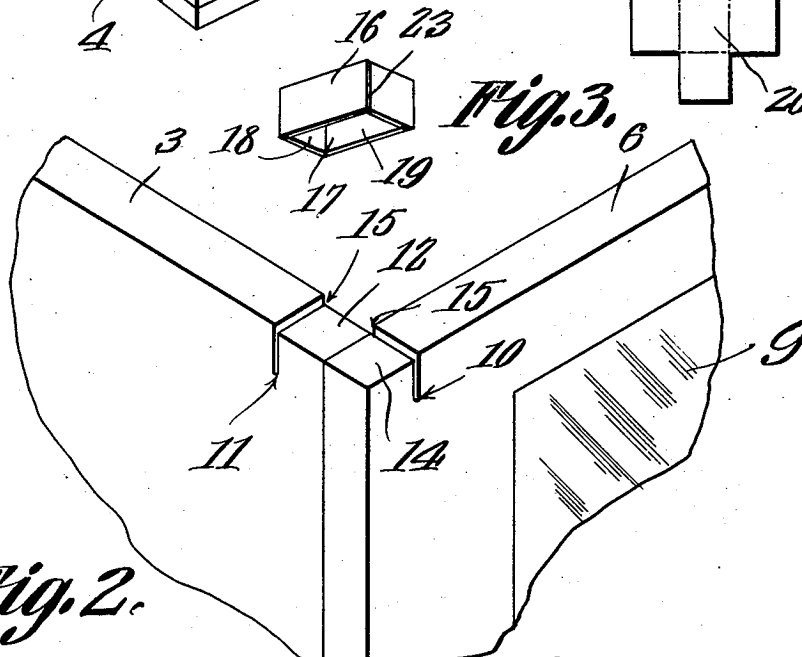
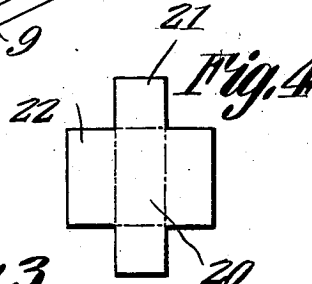
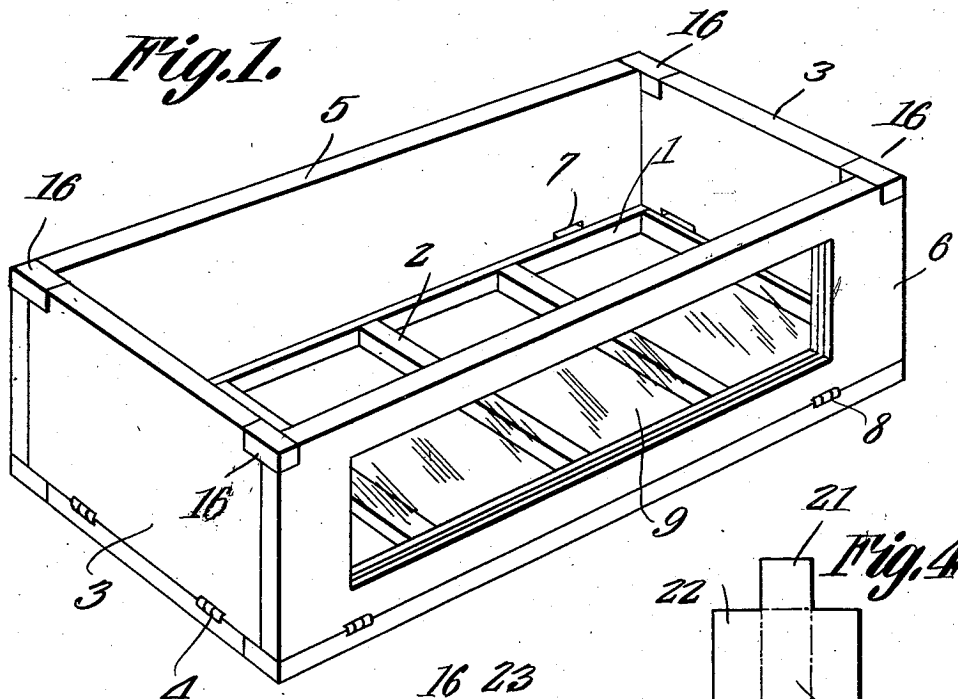


Fig. 2.

Fig. 3.

Witnesses
Frank B. Woodew.
L. H. Wilson.

William Hosteter
 Inventor,
 by *C. Snow & Co.*
 Attorneys.

W. HOSTETER.
 HONEY SUPER FOR BEEHIVES.
 APPLICATION FILED SEPT. 5, 1911.

1,011,793.

Patented Dec. 12, 1911.

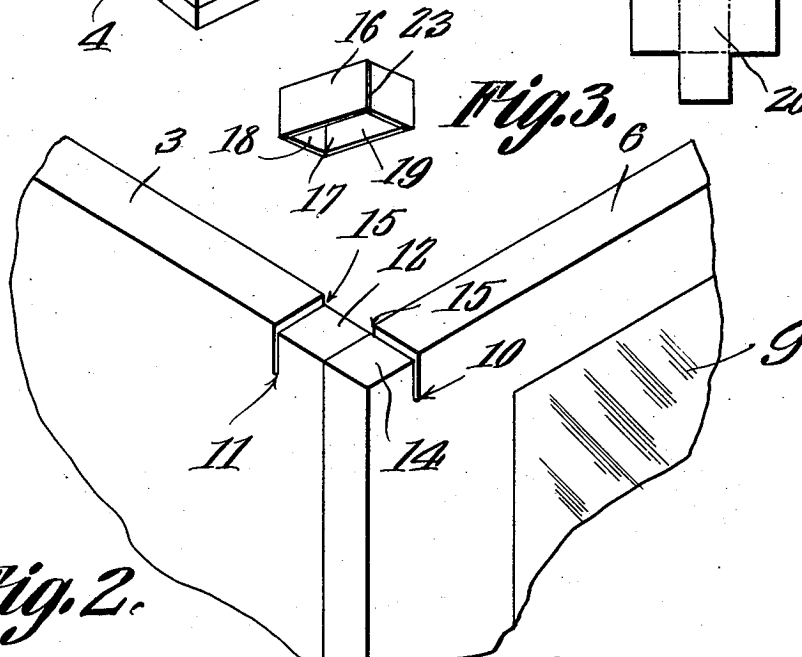
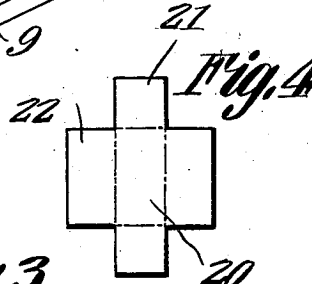
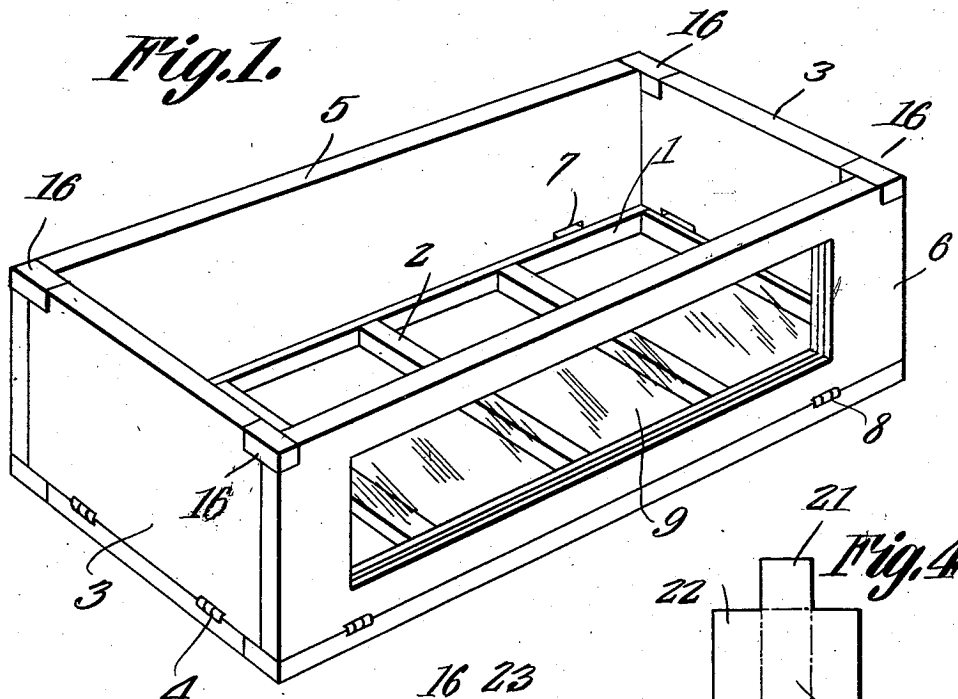


Fig. 2.

Fig. 3.

Witnesses
Frank B. Woodew.
L. H. Wilson.

William Hosteter
 Inventor,
 by *C. Snow & Co.*
 Attorneys.

base frame; cross bars uniting opposite points upon the frame; walls hinged to the frame and foldable outwardly, into depending positions, one pair of oppositely disposed walls fitting between the other pair of oppositely disposed walls; and means for connecting the adjacent walls, to hold the same in upstanding relation with respect to the base frame.

2. A super for a bee-hive, comprising a base; walls hinged to the base and having rectangularly disposed slits adjacent their meeting ends; and a box-like cap, open at one side only, and adapted to register in the slits.

3. A super for a bee-hive, comprising a base; walls hingedly connected to the base, the walls being provided at their meeting ends with bosses; and a box-like cap, open at one side only, and adapted to fit about the bosses closely.

4. A super for a bee-hive comprising separable, angularly disposed primary and sec-

ondary walls, the primary wall having, adjacent one end, a transverse slit in its upper edge, alined with the inner face of the secondary wall, and the secondary wall having a transverse slit in its upper edge, located at right angles to the first mentioned slit, the slits defining bosses, at the ends of the walls, the upper faces of the bosses being depressed below the upper edges of the walls, and a box-like cap; open at one side only, and adapted to be engaged in the slits, to surround the bosses, and to cover the tops of the bosses, the upper surface of the cap being flush with the upper edges of the walls.

In testimony that I claim the foregoing as my own, I have hereto affixed my signature in the presence of two witnesses.

WILLIAM HOSTETER.

Witnesses:

JAMES P. HOSTETER,
LLOYD DAVIDSON.

Copies of this patent may be obtained for five cents each, by addressing the "Commissioner of Patents, Washington, D. C."