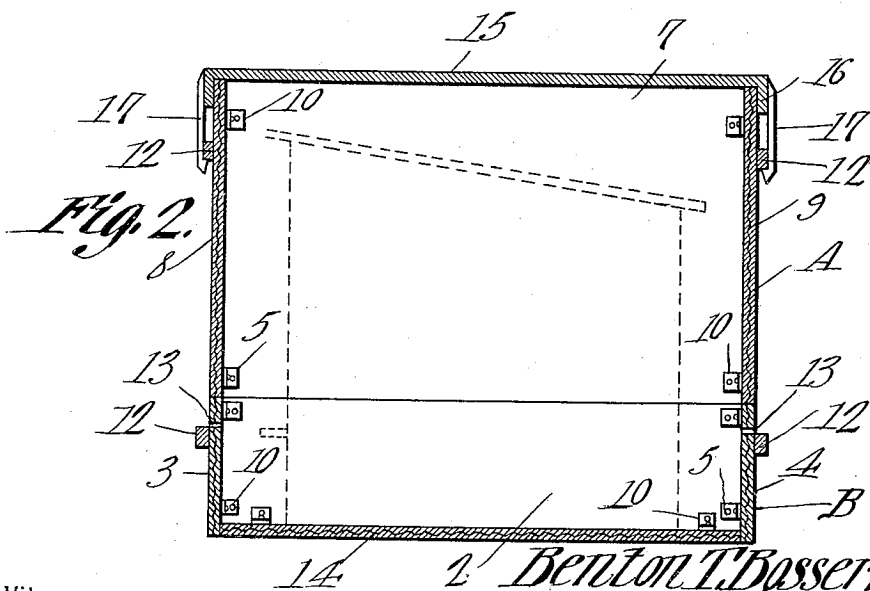
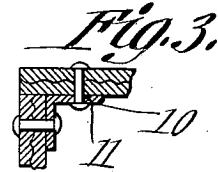
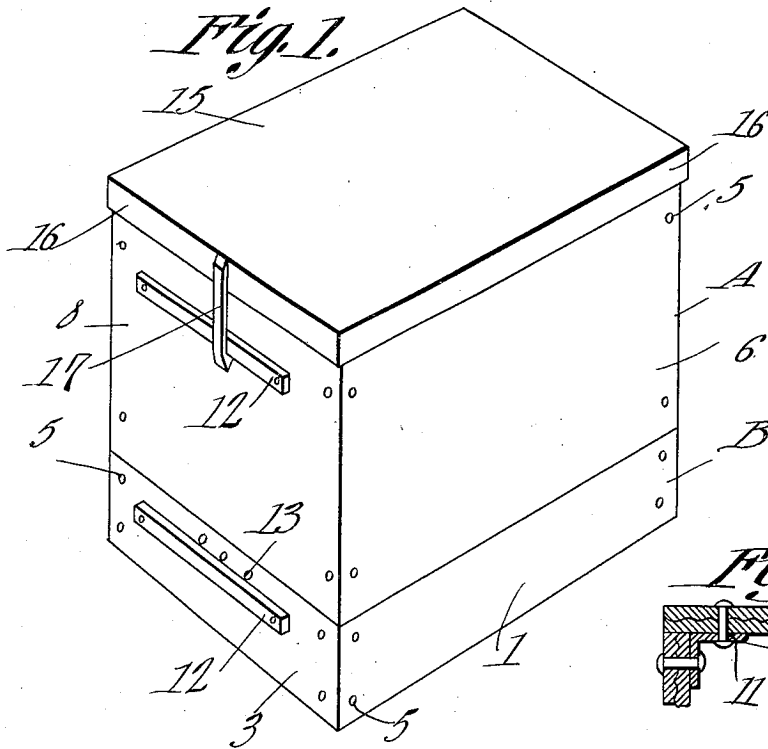


B. T. BOSSERMAN.
 SUPPLEMENTAL BEEHIVE CASING.
 APPLICATION FILED JAN. 24, 1913.

1,067,459.

Patented July 15, 1913.



Witnesses

J. R. Domein
S. Willcox

Benton T. Bosserman,
 Inventor

by *C. Snow & Co.*
 Attorneys

adapted to snap over and engage the under portion of the gripping members 12 secured upon the end walls of the upper section A.

From the foregoing description it will be apparent that my improved supplemental bee hive casing or protector is adapted to receive a bee hive therein such as illustrated in dotted lines in Fig. 2 and to provide a boxing which will protect the hive incased therein from the weather and furthermore by reason of the concrete construction of the sections, the hive will be protected against mice and vermin and should the hive be in a locality where frigid temperatures are not uncommon, a suitable packing may be inserted between the outer portions of the hive and the walls of the supplemental casing. Furthermore it will be apparent that during warm weather, suitable wedges may be positioned between the upper and lower sections A and B and the section A raised a distance thereabove which will allow for a suitable circulation of air in and around the hive.

The construction of the entire casing will render the same easy and cheap to manufacture and embodying the desirable feature of being demountable and readily transported from place to place.

It is to be understood that the number of sections used and the position of the bee entrances will be optional and may be varied according to the size of the hive intended to be protected.

Having thus fully disclosed the construc-

tion of my improved device, what I claim to be new and original with me is:—

A sectional supplemental bee hive casing comprising a lower section formed of rectangular concrete slabs detachably secured together, a base disposed within and adjacent the lower extremity of the said lower section and detachably secured thereto, an upper section including rectangular concrete slabs detachably secured together, the said upper section adapted to rest upon and line with the said lower section, gripping members secured to the end walls and disposed a relatively small distance from the upper extremity of the said sections, the said gripping members adapted to form bee alighting platforms for the lower section, the upper section gripping members comprising one member of a latch, a cover adapted to fit over the upper section and provided with downwardly extending resilient members adapted to engage the said upper section gripping members and to secure the cover thereto, the said engaging means forming the other member of the said latch, said upper and lower sections, base and cover, adapted to house a bee hive therein.

In testimony that I claim the foregoing as my own, I have hereto affixed my signature in the presence of two witnesses.

BENTON T. BOSSERMAN.

Witnesses:

W. H. REES,
R. W. SHARE.