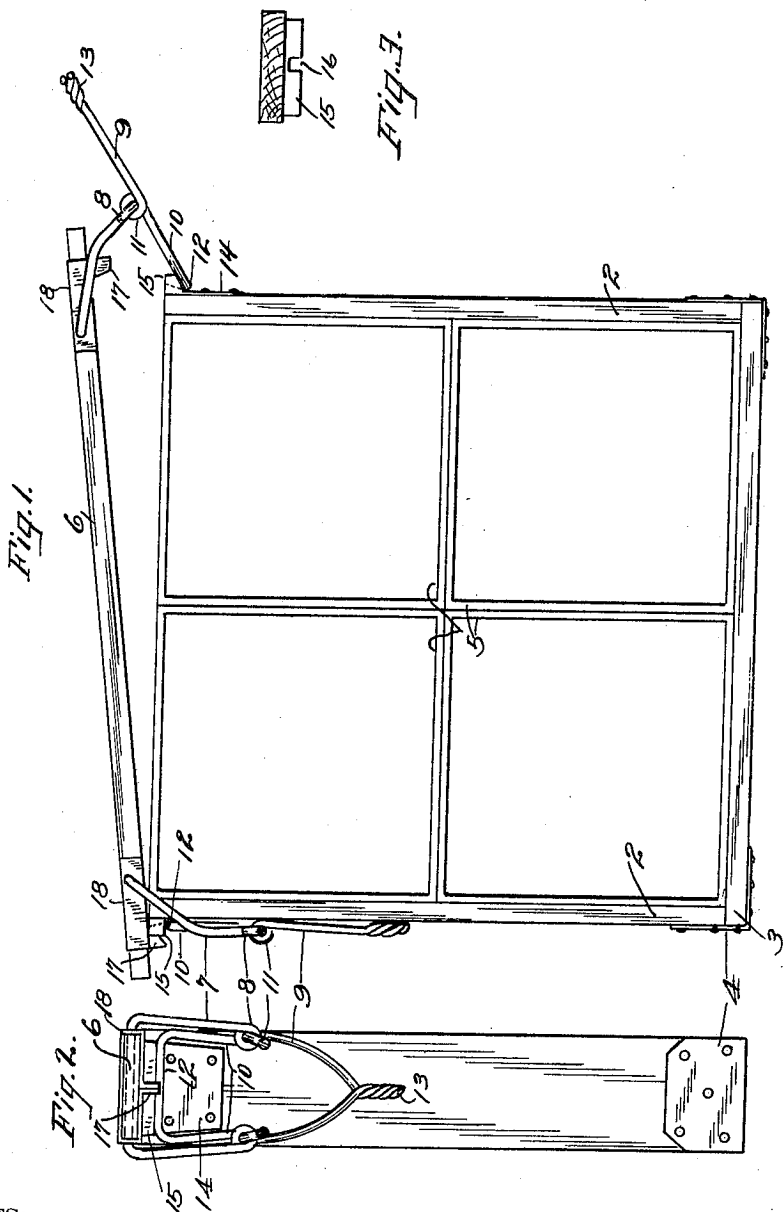


C. BACHMANN.  
SECTION HOLDER FOR HIVES.  
APPLICATION FILED MAR. 23, 1914.

1,103,467.

Patented July 14, 1914.



WITNESSES:

*F. E. Maynard.*  
*Ivine Sinnett*

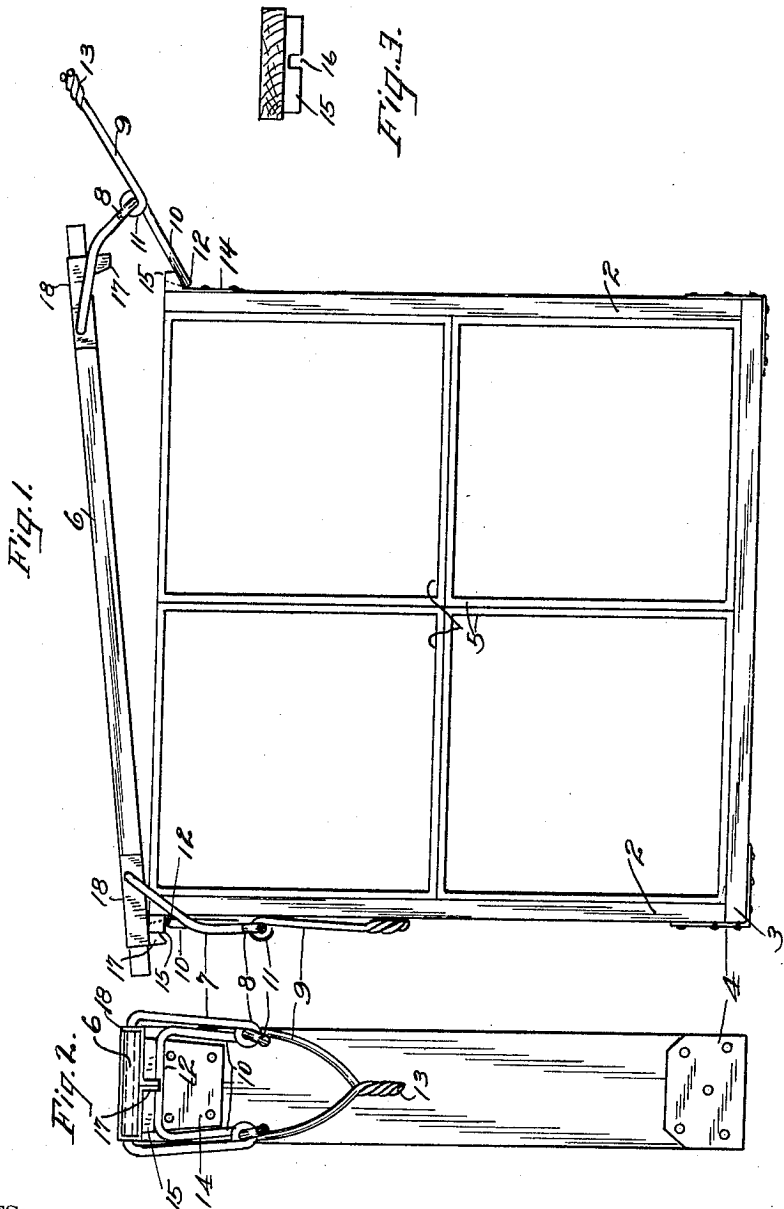
INVENTOR  
*Christof Bachmann,*  
BY *L. H. Strong.*

ATTORNEY

C. BACHMANN.  
SECTION HOLDER FOR HIVES.  
APPLICATION FILED MAR. 23, 1914.

1,103,467.

Patented July 14, 1914.



WITNESSES:

*F. E. Maynard.*  
*Ivine Sinnett*

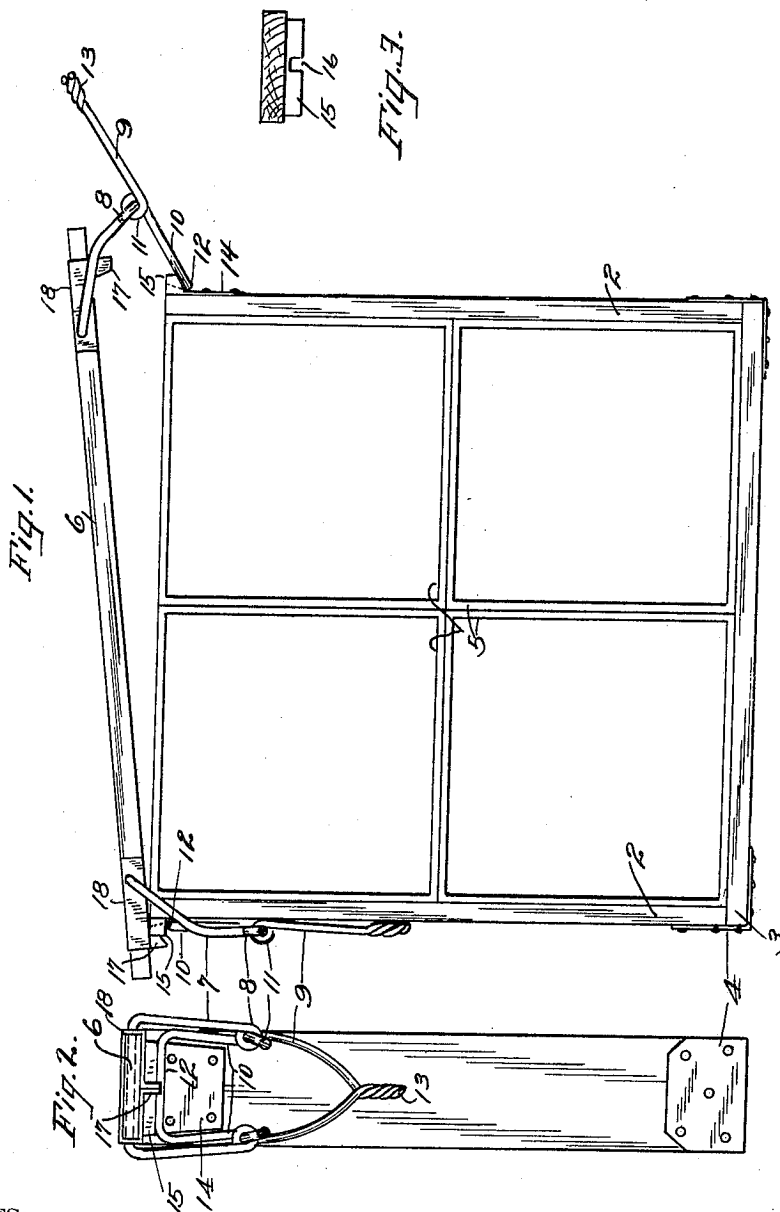
INVENTOR  
*Christof Bachmann,*  
BY *L. H. Strong.*

ATTORNEY

C. BACHMANN.  
SECTION HOLDER FOR HIVES.  
APPLICATION FILED MAR. 23, 1914.

1,103,467.

Patented July 14, 1914.



WITNESSES:

*F. E. Maynard.*  
*Ivine Sinnett*

INVENTOR  
*Christof Bachmann,*  
BY *L. H. Strong.*

ATTORNEY