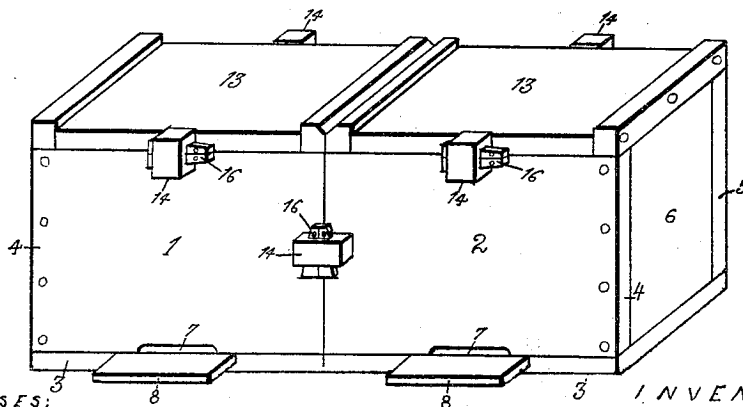
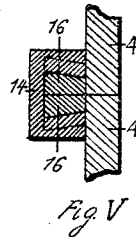
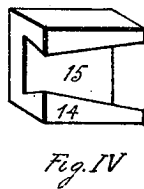
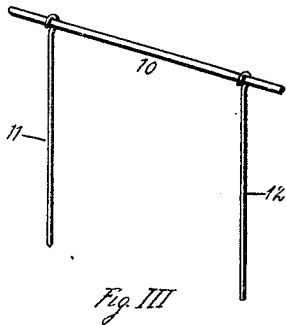
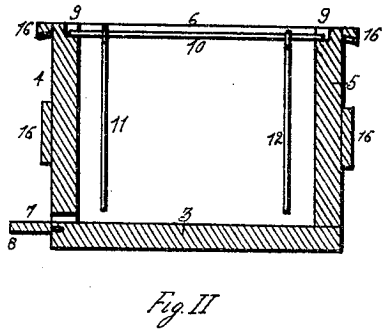
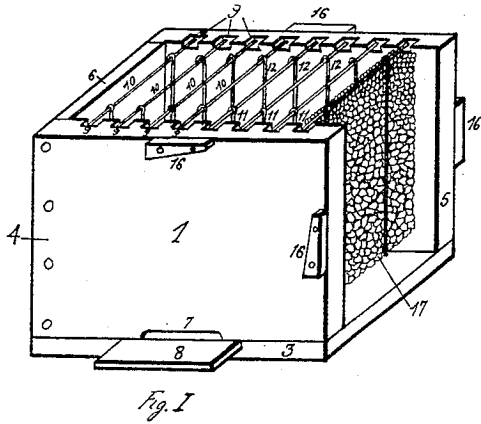


V. V. GAMALLO.
BEEHIVE.
APPLICATION FILED JAN. 10, 1914.

1,117,180.

Patented Nov. 17, 1914.



WITNESSES:
John Sanders
Albert F. Neuman

Fig. VI

INVENTOR:
Victor Vargas Gamallo
BY: Wallace White
ATTY

UNITED STATES PATENT OFFICE.

VICTOR VARGAS GAMALLO. OF SANTIAGO DE LAS VEGAS, CUBA.

BEEHIVE.

1,117,180.

Specification of Letters Patent.

Patented Nov. 17, 1914.

Application filed January 10, 1914. Serial No. 811,286.

To all whom it may concern:

Be it known that I, VICTOR VARGAS GAMALLO, a citizen of the Republic of Cuba, residing in Santiago de las Vegas, Cuba, have invented certain new and useful Improvements in Beehives, of which the following is a specification.

This invention consists of a new arrangement of beehives by approaching the boxes from their ends, much different from those systems used at the present time; and the wooden frames are substituted by simple metallic bars which give great facility in manipulation, economy in construction and cleanliness in the hive, as the great number of wooden frames which are so embarrassing, expensive and complicated, are done away with. It gives great easiness in the management of a beehive.

The invention is here described with reference to the accompanying drawings.

Figure I, is a view of one of the single boxes for a hive. Fig. II, is a plan view of a transverse section of a box. Fig. III, shows the very simple device for holding the combs. Fig. IV, is a detail drawn to a larger scale, showing the pressure clamp used for holding together the two boxes, and the covers of the respective boxes. Fig. V, is a detail drawn to larger scale, of a transverse section, showing how the preceding clamp holds together the two boxes. Fig. VI, shows a general view of a complete set of two boxes as they stand horizontally, placed end to end.

This hive is formed by two boxes placed in the same horizontal line touching end to end, see Fig. VI, Nos. 1 and 2. Each box is of the form of a parallelepiped, being opened by its upper part and by one end, see Fig. VI, but in such a way that the opened ends of the two boxes will meet.

Each box is formed, see Fig. I, by a bottom 3, sides 4, 4, and 5, and one end 6, presenting in one of the sides 4, which would be the front side, the entrance for the bees 7, and below it, fixed on the bottom, the alighting board 8.

On the upper and interior border of the sides 4 and 5, there are made a series of grooves 9, running in from the middle of the thickness of the board, equidistant from each other and in such a way that each groove of one side is directly opposite to the corresponding one of the other side.

The frame work or skeleton for holding the comb is formed by a metallic bar 10, of a determinate length so that it will rest upon each two opposite grooves 9, and by two wires 11 and 12 pending from near each end of the bar by means of a hook with which they are provided at their upper ends. These vertical wires 11 and 12 are of such a length that when pending from the horizontal bar, they do not reach the bottom of the box.

Each box is covered up by a movable lid 13, Fig. VI, which is maintained tightly closed by two pressure clamps, Figs. IV and V, and No. 14 Fig. VI. These pressure clamps are formed by a solid square piece of wood, provided with a channel 15, which gives lodging here to a wedge 16 made by two smaller wedges situated one on each side of the cover and on the upper border of each side of the box, and one on two edges of the lid, which two pairs meet when the lid is on. The lid that closes the opened end of the box is maintained shut by this same procedure, see Fig. V.

One of the boxes is used for the brood and the other for the gathering of honey. At the beginning only one box is used being well covered up with its lid 13 after having placed on each of the grooves the horizontal metallic bars 10 with their corresponding pending wires 11 and 12, and if so desired, with foundations attached to the bars. The opened end of the box is closed by adjusting to it a lateral cover similar to the upper lid 13. But when the hive has attained a larger family, the lateral division is taken away and the second box is approached to the first, thereby communicating with each other by the opened end. After having placed the metallic bars 10, 11 and 12 of the second box in their corresponding grooves 9, it is also covered up by another lid same as 13. The two boxes, when placed this way, and when the clamps 14 and 16 are applied over their wedges holding them together form one solid horizontal body, see Fig. VI.

The bees make their comb, founding it in the bars 10, following downwardly the vertical line marked to them by the pending wires 11 and 12, which at the same time serve to give the comb rigidity and support.

What I claim as my invention is:—

1. A comb frame comprising a support-

110

ing bar and two bars depending therefrom, said depending bars being movable relatively to said supporting bar and to each other.

2. A comb frame comprising a supporting bar and two bars depending therefrom the upper ends of said depending bars being

hooked whereby they are removable from said supporting bar.

VICTOR VARGAS GAMALLO.

Witnesses:

RAOUL F. WASHINGTON,
A. ROGERS.

Copies of this patent may be obtained for five cents each, by addressing the "Commissioner of Patents, Washington, D. C."