

A. McELVEEN.
HONEY BEE QUEEN YARD.
APPLICATION FILED MAR. 17, 1916.

1,207,425.

Patented Dec. 5, 1916.

Fig. 1.

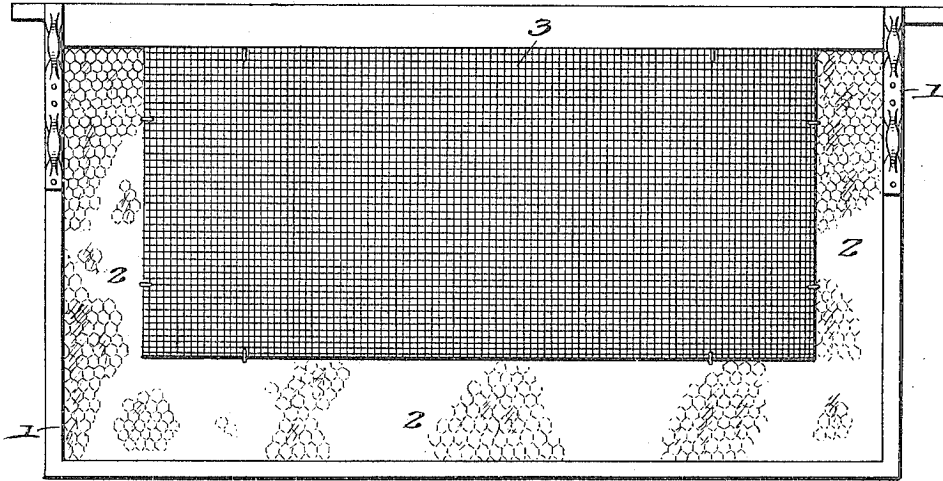


Fig. 2.

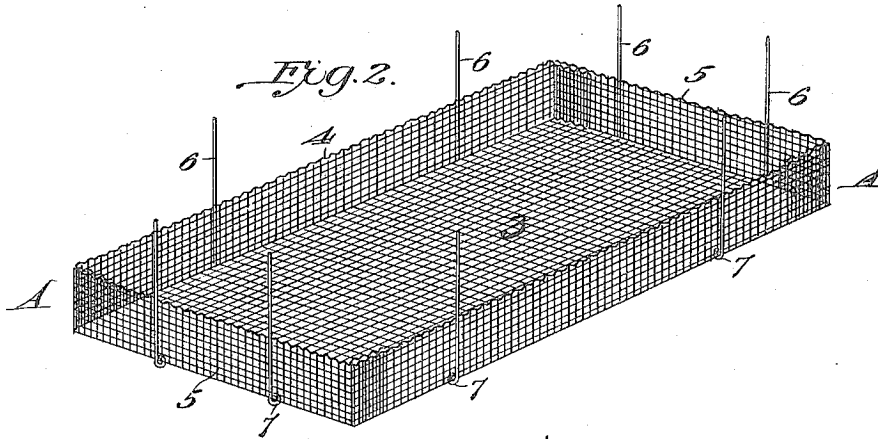
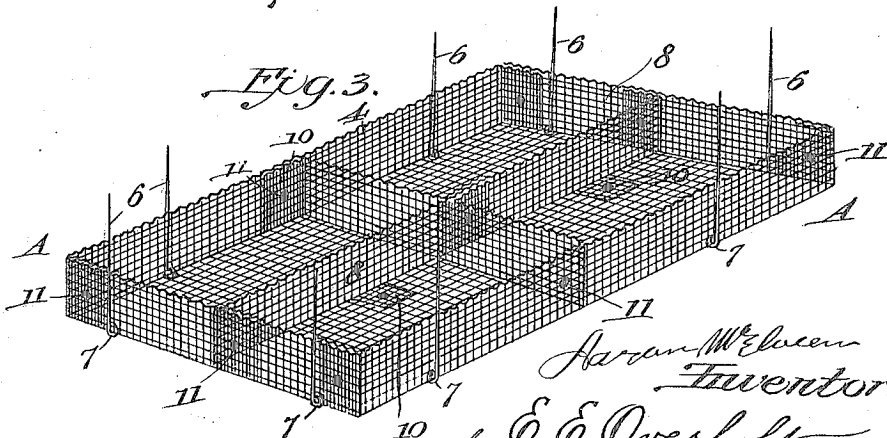


Fig. 3.



*Harold McElveen
Inventor:
by E. E. Overholt, Atty.*

UNITED STATES PATENT OFFICE.

AARON McELVEEN, OF STILSON, GEORGIA.

HONEY-BEE QUEEN-YARD.

1,207,425.

Specification of Letters Patent.

Patented Dec. 5, 1916.

Application filed March 17, 1916. Serial No. 84,940.

To all whom it may concern:

Be it known that I, AARON McELVEEN, a citizen of the United States, residing at Stilson, in the county of Bulloch and State of Georgia, have invented certain new and useful Improvements in Honey-Bee Queen-Yards, of which the following is a specification.

My invention relates to devices for introducing queens and other bees into strange hives.

The object is to provide means by which the new bees whether they be queens or working bees, can be easily and quickly placed in the desired hive or removed therefrom, and by which they will be housed therein in such a way that they can have a certain degree of communication with the bees already in the hive, while at the same time being fully protected from their hostile attacks, till the bees in the hive cease to regard them as intruders and become friendly with them.

Another object is to provide convenient means for keeping queen bees for protracted periods of time, comfortably caged and fed, and always accessible, till they are wanted for use or for sale.

Still another object is to provide cheap and convenient means for the protection of queen cells before they are hatched out.

Other objects will appear in the subjoined description.

The device is specially useful for introducing new queens into a hive; or for introducing more bees into a weak hive.

It is a well known fact that honey bees are very jealous and watchful of their store of honey, so that if any strange bee, whether queen or working bee, be introduced into the hive, that bee seems to be at once taken either for a dead-beat that has come there to live off their labor eating up their store of honey, or else as a thief that has come to steal and carry away what they have laid up: and they are generally fierce and relentless in their attacks upon the life of the supposed intruder.

For many reasons, the matter of introducing queen bees into hives is specially important, and it is a great problem with bee raisers as to how this can be done without getting the queens killed. Actual ex-

perience has proved that the device herein set forth has solved that problem in a most satisfactory manner.

The principal feature of my device consists of a wire coop or cage provided with an open side, and having means for holding this side around its edges in close engagement with the flat side of a section of brood comb, so that the bees outside the cage cannot enter it, and the bees inside the cage cannot escape from it, till special provision is made therefor.

The invention consists in certain novel features and combinations of parts, as will be hereinafter described and claimed, reference being had to the accompanying drawings, in which—

Figure 1 is a side elevation of a section of brood comb with my improvement in operative position thereon. Fig. 2 shows an inverted plan view of my device removed from the brood comb; and, Fig. 3 is a similar view of the device showing it provided with partitions forming its interior into a plurality of compartments.

The numeral 1 designates a frame carrying a section 2 of brood comb.

My improved cage A is formed of finely woven wire or other open material and consists of a main section 3 having narrow side and end sections 4 and 5 respectively; said latter sections being bent preferably at right angles to the main section 3 and formed integral therewith. These side and end sections 4 and 5 are provided with a suitable number of securing pins or stickers 6, which are secured to said sections in any desired manner and project some distance beyond the outer edges of said sections, and may be made sharp at their outer ends. These pins can be secured to the side and end sections 4 and 5 with solder, but are shown in the drawings as being provided at their inner ends with bends 7 which are bent around one or more of the wires of the cage, and the shanks of these securing pins adjacent the bends 7 are plaited into the wires of the edge sections 4 and 5 of the cage, and are thus very securely held without solder.

In Fig. 3 of the drawings, I have shown the cage A provided with central longitudinal and transverse partitions 8 and 9

UNITED STATES PATENT OFFICE.

AARON McELVEEN, OF STILSON, GEORGIA.

HONEY-BEE QUEEN-YARD.

1,207,425.

Specification of Letters Patent.

Patented Dec. 5, 1916.

Application filed March 17, 1916. Serial No. 84,940.

To all whom it may concern:

Be it known that I, AARON McELVEEN, a citizen of the United States, residing at Stilson, in the county of Bulloch and State of Georgia, have invented certain new and useful Improvements in Honey-Bee Queen-Yards, of which the following is a specification.

My invention relates to devices for introducing queens and other bees into strange hives.

The object is to provide means by which the new bees whether they be queens or working bees, can be easily and quickly placed in the desired hive or removed therefrom, and by which they will be housed therein in such a way that they can have a certain degree of communication with the bees already in the hive, while at the same time being fully protected from their hostile attacks, till the bees in the hive cease to regard them as intruders and become friendly with them.

Another object is to provide convenient means for keeping queen bees for protracted periods of time, comfortably caged and fed, and always accessible, till they are wanted for use or for sale.

Still another object is to provide cheap and convenient means for the protection of queen cells before they are hatched out.

Other objects will appear in the subjoined description.

The device is specially useful for introducing new queens into a hive; or for introducing more bees into a weak hive.

It is a well known fact that honey bees are very jealous and watchful of their store of honey, so that if any strange bee, whether queen or working bee, be introduced into the hive, that bee seems to be at once taken either for a dead-beat that has come there to live off their labor eating up their store of honey, or else as a thief that has come to steal and carry away what they have laid up: and they are generally fierce and relentless in their attacks upon the life of the supposed intruder.

For many reasons, the matter of introducing queen bees into hives is specially important, and it is a great problem with bee raisers as to how this can be done without getting the queens killed. Actual ex-

perience has proved that the device herein set forth has solved that problem in a most satisfactory manner.

The principal feature of my device consists of a wire coop or cage provided with an open side, and having means for holding this side around its edges in close engagement with the flat side of a section of brood comb, so that the bees outside the cage cannot enter it, and the bees inside the cage cannot escape from it, till special provision is made therefor.

The invention consists in certain novel features and combinations of parts, as will be hereinafter described and claimed, reference being had to the accompanying drawings, in which—

Figure 1 is a side elevation of a section of brood comb with my improvement in operative position thereon. Fig. 2 shows an inverted plan view of my device removed from the brood comb; and, Fig. 3 is a similar view of the device showing it provided with partitions forming its interior into a plurality of compartments.

The numeral 1 designates a frame carrying a section 2 of brood comb.

My improved cage A is formed of finely woven wire or other open material and consists of a main section 3 having narrow side and end sections 4 and 5 respectively; said latter sections being bent preferably at right angles to the main section 3 and formed integral therewith. These side and end sections 4 and 5 are provided with a suitable number of securing pins or stickers 6, which are secured to said sections in any desired manner and project some distance beyond the outer edges of said sections, and may be made sharp at their outer ends. These pins can be secured to the side and end sections 4 and 5 with solder, but are shown in the drawings as being provided at their inner ends with bends 7 which are bent around one or more of the wires of the cage, and the shanks of these securing pins adjacent the bends 7 are plaited into the wires of the edge sections 4 and 5 of the cage, and are thus very securely held without solder.

In Fig. 3 of the drawings, I have shown the cage A provided with central longitudinal and transverse partitions 8 and 9

to permit other bees to enter it, there are different ways in which an opening may be made in the cage with shears; as for instance, two short parallel cuts may be made extending inwardly from the edge of one of the side sections 4 or 5, and spaced from each other, say a half inch or less; then the small section of wire between the two cuts can be raised at its free edge like a little door, and that will make a small opening through which the bees can pass in or out, one at a time. As a rule, however, with a little care, a corner of the cage can be raised just sufficiently to permit one bee at a time to pass under it, when it is desired to proceed with caution in letting them pass into or out of the cage.

When for any reason it is desired to keep queens apart when two or more of them are to be introduced into a hive at one time, I employ the form of my device illustrated in Fig. 3 of the drawings which is provided with a separate compartment for each queen. It should be borne in mind however that this arrangement is more than a multiplication of small cages; for if there is only one small cage, or a number of small cages, each by itself, the bees in the hive can ball each cage and smother the queen in it to death. But a queen cannot be smothered in that way in my cage, even though it be divided into small compartments, for the compartments are not closed against the passage of air from one compartment to another, but only against the passage of bees, and it has already been sufficiently pointed out why bees cannot ball a queen in my cage and smother her to death.

My device if carefully handled is practically indestructible, and may be used first with one brood comb and then another, as occasion may require. It is also very simple and inexpensive in construction.

Having thus described my invention, what I claim as new, and desire to secure by Letters Patent is:—

1. A device of the character described, comprising a cage formed of open material; and means for holding one side of said cage in engagement with a section of brood comb.

2. A device of the character described, comprising a cage formed of reticulated material and open at one side; and means for holding said opening in engagement with

a section of brood-comb to cause the comb to form a closure for the opening.

3. A device of the character described, comprising an open-sided cage formed of reticulated material; and provided at its open side with means for engaging a section of brood-comb to hold the open side of the cage in engagement therewith, whereby to cause the comb to form a closure for said open side.

4. A device of the character described comprising an open-sided cage formed of reticulated material; and provided at its open side with means for removably engaging a section of brood comb to hold the open side of the cage in removable engagement therewith, whereby to cause the comb to form a closure for said open side, and to give the bees inclosed in the cage access to the comb.

5. A device of the character described, comprising an open-sided cage formed of reticulated material, and provided around its open side with securing pins projecting beyond said open side and adapted to penetrate a section of comb to hold the open side of the cage in removable engagement therewith, to cause the comb to form a removable side for the cage and to give the bees in the cage free access to the comb.

6. A device of the character described, comprising a cage formed of reticulated material; partitions in said cage forming the interior thereof into a plurality of compartments; and means for holding one side of said cage in engagement with a section of brood comb to give the bees in said compartments access to the comb.

7. A device of the character described, comprising a cage formed of reticulated material; reticulated partitions in said cage to form the interior thereof into a plurality of compartments adapted to permit the circulation of air from each compartment to the others; and means for holding one side of said cage in removable engagement with a section of comb, to give the bees in said compartments access to the comb.

In testimony whereof I affix my signature in the presence of two witnesses.

AARON McELVEEN.

Witnesses:

HOMER WHITE,
JOS. S. BRAINEN.