

F. W. LUEBECK,
ELECTRIC WIRE IMBEDDER,
APPLICATION FILED JAN. 10, 1917.

1,233,890.

Patented July 17, 1917.

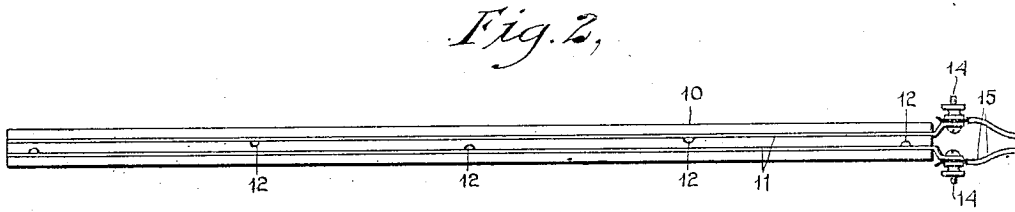
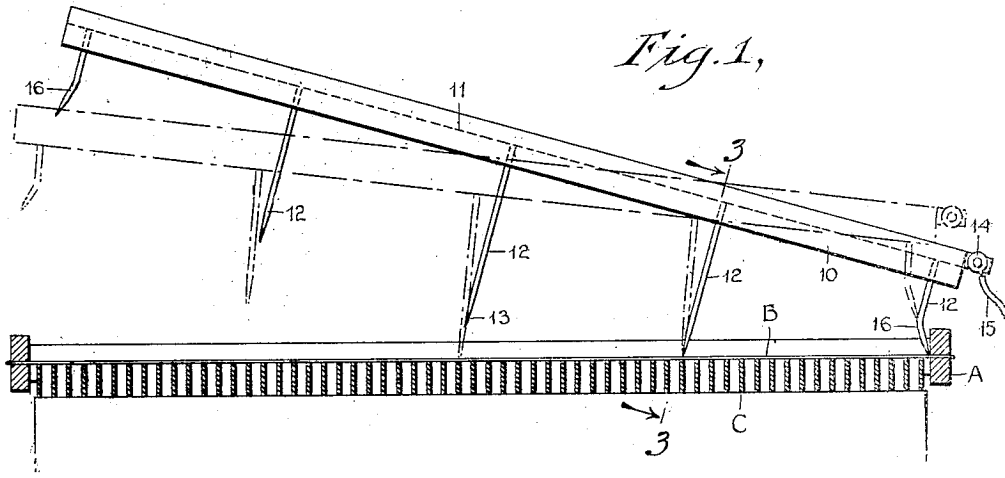
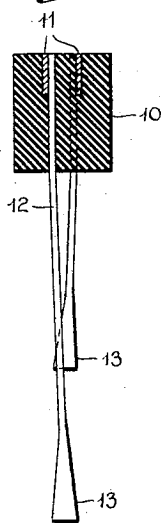


Fig. 3.



WITNESSES

Edw. Thorpe
J. R. Maulff

INVENTOR
F. W. Luebeck.

BY *Mumford*
ATTORNEYS

F. W. LUEBECK,
ELECTRIC WIRE IMBEDDER,
APPLICATION FILED JAN. 10, 1917.

1,233,890.

Patented July 17, 1917.

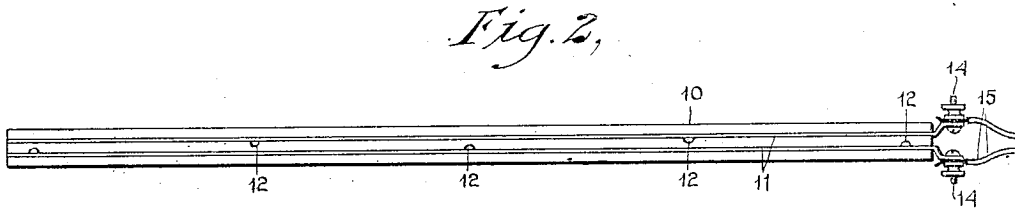
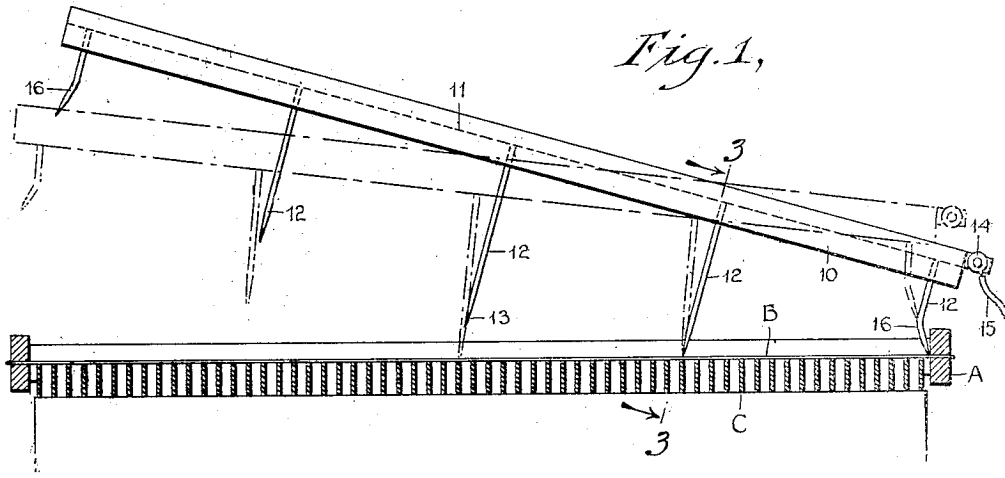
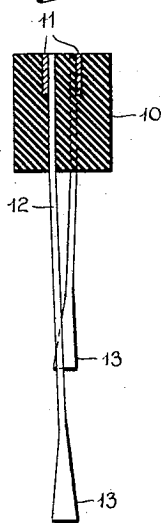


Fig. 3.



WITNESSES

Edw. Thorpe
J. R. Maulff

INVENTOR
F. W. Luebeck.

BY *Mumler*
ATTORNEYS

an angle as indicated at 16, whereby to bring their contact points close against the frame A so that the current will pass through the wire outside of the foundation
 5 C and insure the heating of the outermost walls of the latter.

Having thus described my invention I claim as new, and desire to secure by Letters Patent:

10 1. A wire imbedding device including a support, insulated conductor elements carried thereby and adapted for connection with a source of electricity, and a longitudinal series of contact elements extending
 15 from said conductor elements and projecting from said support to bear in pairs on successive sections of the wire to cause the electric current to pass through the sections of the wire in succession as the contact elements are brought in succession into contact with said wire, said contact elements
 20 extending alternately from the respective conductor elements.

25 2. A wire imbedding device including a bar, a longitudinal series of contact elements carried by said bar adapted to bear on the wire to be imbedded and projecting from the bar to a progressively increasing extent from an end of the bar, so that rock-

ing of the bar will bring successive contact
 elements against the wire, and conductor
 elements carried by the bar and adapted for
 connection with a source of electricity, said
 conductor elements being in connection re-
 spectively with alternate contact elements. 35

3. A wire imbedding device including a support, a series of contact elements on the support and projecting therefrom to bear against the wire to be imbedded, and insulated conductor elements on said support
 40 adapted to receive an electric current and connected alternately with alternate contact elements, said contact elements progressively increasing in height from both end elements to the center element. 45

4. A wire imbedding device including a support, a series of contact elements on the support and projecting therefrom to bear against the wire to be imbedded, an insulated conductor element on said support
 50 adapted to receive an electric current and connected alternately with alternate contact elements, said contact elements progressively increasing in height from both end elements to the center element, and the end contact
 55 elements being sent outward at the free ends.

FRED W. LUEBECK.

Copies of this patent may be obtained for five cents each, by addressing the "Commissioner of Patents, Washington, D. C."