

E. E. SCHUMAKER.  
BEEHIVE.  
APPLICATION FILED APR. 3, 1918.

Patented Nov. 12, 1918.

1,284,791.

FIG. 1.

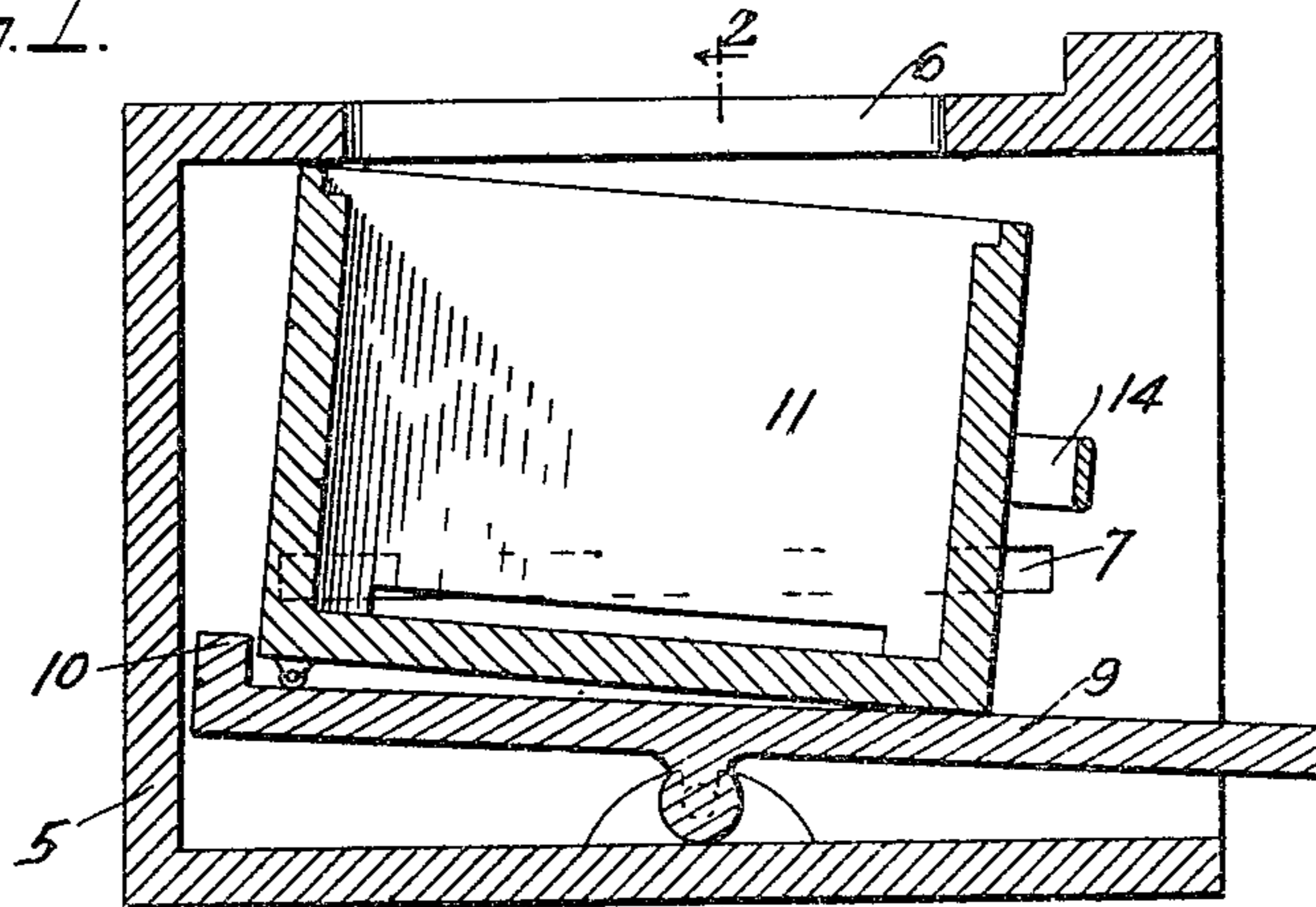


FIG. 2.

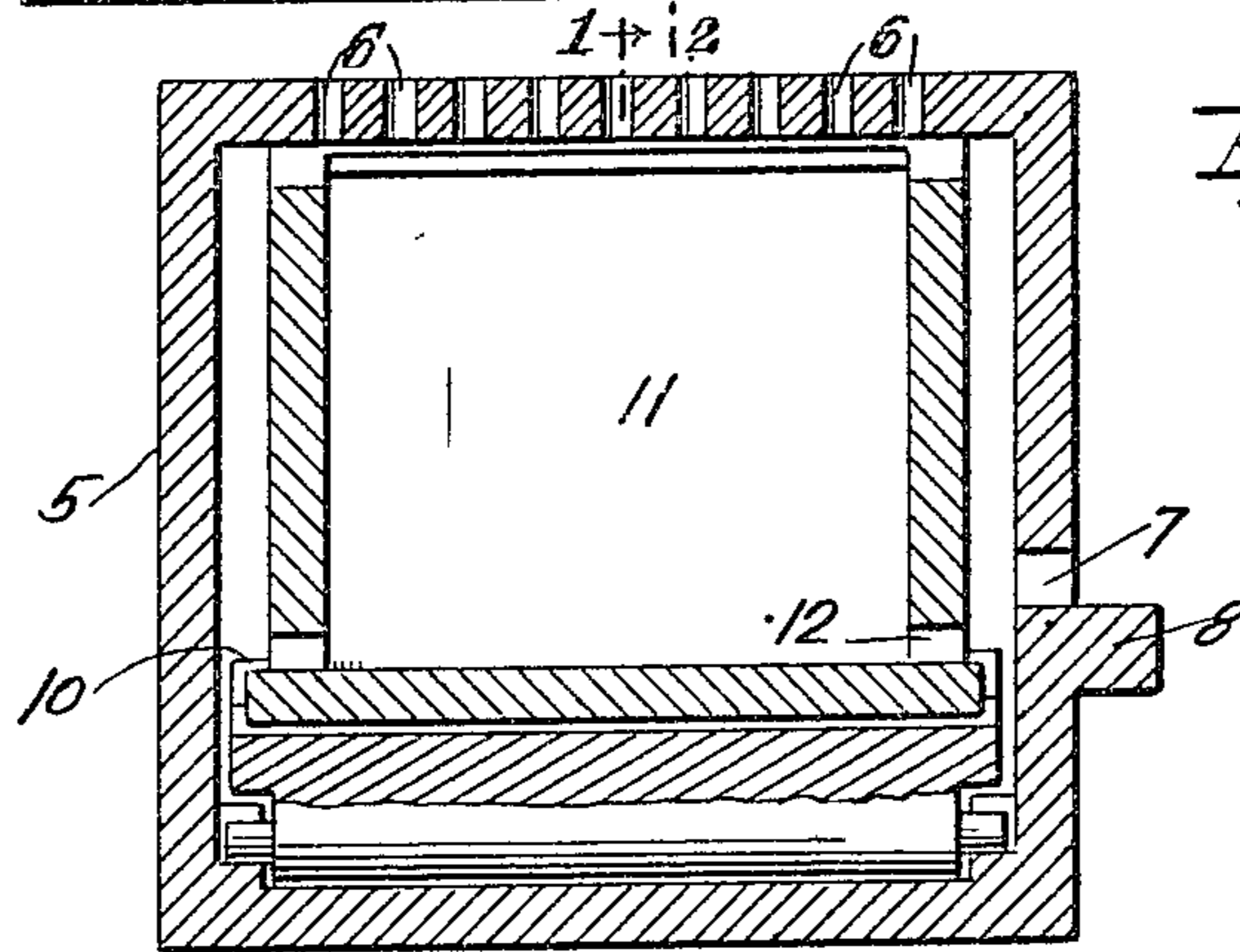
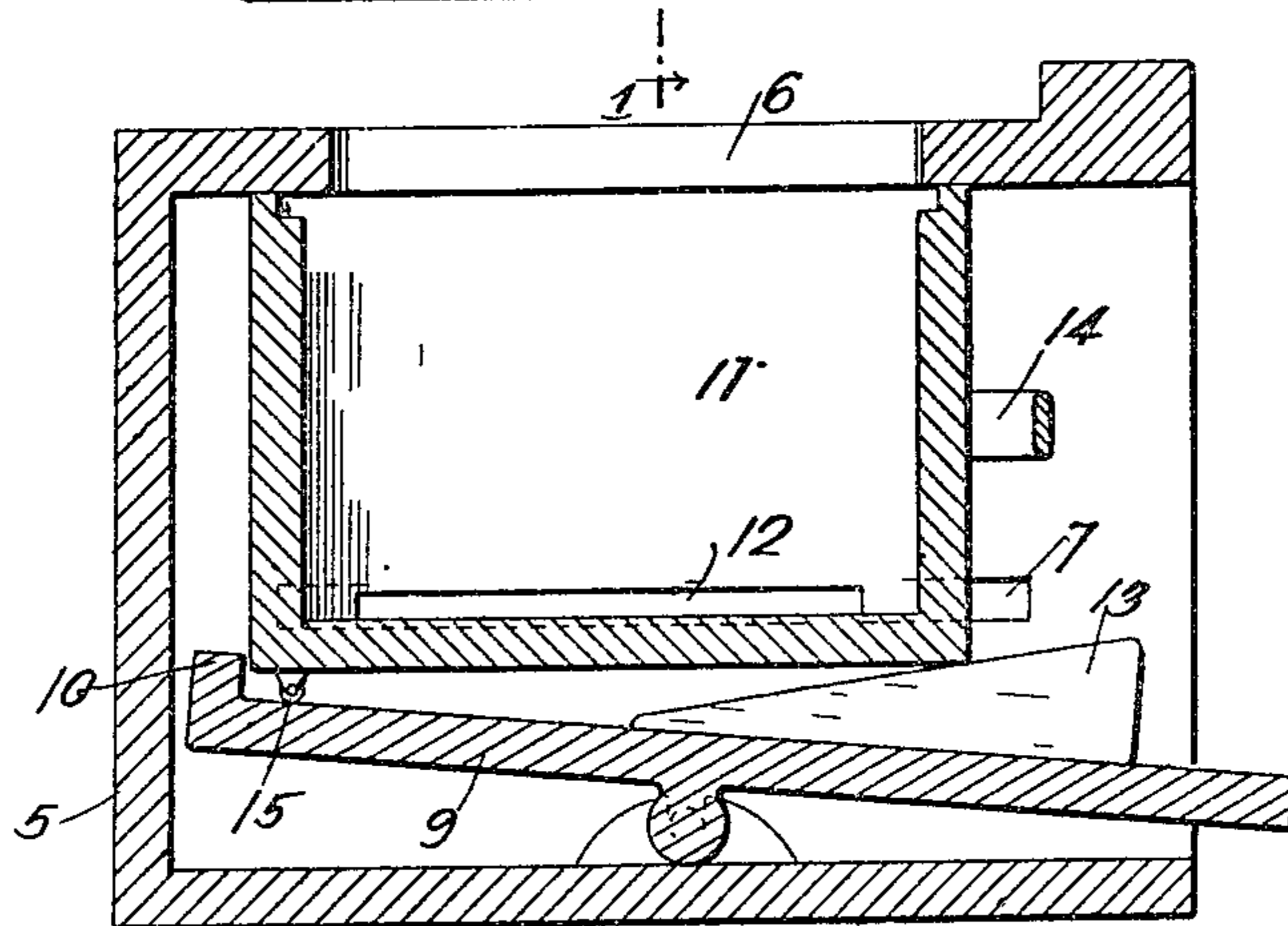


FIG. 3.



WITNESSES  
*H. T. Walker*  
*R. J. Joffe*

INVENTOR  
*E. E. Schumaker*  
BY *Munn Co.*  
ATTORNEYS

# UNITED STATES PATENT OFFICE.

EDWARD E. SCHUMAKER, OF HILBERT, WISCONSIN.

## BEEHIVE.

1,284,791.

Specification of Letters Patent.

Patented Nov. 12, 1918.

Application filed April 3, 1918. Serial No. 226,477.

*To all whom it may concern:*

Be it known that I, EDWARD E. SCHUMAKER, a citizen of the United States, residing at Hilbert, in the county of Calumet and State of Wisconsin, have invented a new and Improved Beehive, of which the following is a full, clear, and exact description.

My invention relates to a bee hive which comprises a bench housing and a removable broods nest. An object of the invention is to provide a simple and efficient hive which can be easily inspected and which will give access to the broods nest at any time without materially interfering with the working of the bees.

With the above and other objects in view, the nature of which will more fully appear as the description proceeds, the invention consists in the novel construction, combination and arrangement of parts as herein fully described, illustrated and claimed.

In the accompanying drawings, forming part of the application, similar characters of reference indicate corresponding parts in all the views.

Figure 1 is a section through a bee hive embodying my invention on line 1—1, Fig. 2;

Fig. 2 is a cross section on line 2—2, Fig. 1; and

Fig. 3 is a section similar to that shown in Fig. 1 but the broods nest is shown in operative position.

Referring to the drawings, 5 is the bench, which is in the shape of a box open at one end and provided with slots 6 at the top. It has also a slot 7 in one side above a ridge 8 forming the alighting board for the bees. The bench 5 has a false rocking bottom 9, a portion of which bottom extends out of the opening of the bench so that the same can be easily operated. The other end of the false bottom 9 is provided with a ledge 10 which forms a stop for the broods nest 11. The nest is also in the shape of a box open at the top and has a side slot 12 at the bottom adapted to register with the side slot 7 when said broods nest 11 is forced against the top by means of a wedge 13 interposed between the broods nest and the false bottom 9.

The ledge brings the top opening of the nest 11 in register with the slots 6 when the wedge 13 is forced against the nest and the false bottom. The nest is provided with a handle 14 to facilitate the manipulation of the nest. When the broods nest is to be placed into the bench the same is brought on

the false bottom 9 and shoved into the bench until the same comes against the ledge 10. Preferably, rolling members 15 are provided on the bottom of the nest remote from the end where the handle 14 is provided.

After the nest is brought against the ledge 10, pressure is applied to the outer end of the false bottom 9, thereby causing the inner end of the bottom to rise, bringing one end of the nest against the top of the bench (see Fig. 1). By raising the nest by means of the handle 14 and forcing the wedge 13 between the nest and the bottom 9, the nest is brought tightly against the top of the bench, as shown in Fig. 3.

The bees enter the nest through the openings 7 and 12, which register as shown; and when the nest is to be inspected the same can be removed at any time from the bench, leaving the honey supers on the bench. It will be seen that in my bee hive the nest forms a drawer removable from the bench, which is the housing for the drawer, and to which drawer access is had through the side and top of the housing or bench.

The number of slots in the top of the bench corresponds to the number of bee spaces between the brood frames in the brood chamber or nest. Such an arrangement gives a clear and continuous bee-way from the bottom of the broods nest up into the honey supers.

I claim:

1. In a bee hive, a housing open at one end and having slots in the top and a slot in the side, a movable false bottom in said housing, a nest open on the top and having a slot in the side and adapted to be supported on the false bottom and whereby said nest may be brought against the top of the housing to have the open top of the nest in register with the slots in the top of the housing and to have also the side slots of the nest and housing in register, and means for preventing the false bottom from movement to lock the nest within the housing.

2. In a bee hive, a housing open at one end and having slots in the top and a slot in the side, said slots running toward the open end, a movable false bottom in said housing, a nest open on the top and having a slot in the side, said nest being adapted to be supported by the false bottom and by the movement of said bottom to be brought against the top of the housing to bring the open top of said nest in register with the slots in the

top of the housing and also the side slots of both the nest and housing, and means for preventing the movement of the movable floor whereby said nest is locked within the housing against the top.

3. In a bee hive, a housing open at one end and having slots in the top and a slot in the side, all of said slots running toward the open end, a movable false bottom in said housing operable through the open end, a nest open on the top and having a slot in the side, said nest being adapted to be supported by said movable bottom, and means adapted to be interposed between the nest and the movable bottom whereby the said nest is forced against the top of the housing and the bottom is prevented from moving.

4. In a bee hive, a housing open at one end and having slots in the top and a slot in the side, said slots running toward the open end, a rocking false bottom in said housing, a nest open on the top and having a slot in the side, said nest being adapted to rest on the false bottom of the housing, and

means adapted to be interposed between the nest and the false bottom for bringing the nest against the top of the housing and locking the same therein.

5. In a bee hive, a housing open at one end, a nest removable from the open end of the housing, and means for locking said nest to the top of the housing, said housing and nest having means at the top and side rendering the nest accessible to the bees from the top and side through the housing.

6. In a bee hive, a housing open at one end and having slots in the top and a slot in the side, said slots running toward the open end, a rocking bottom in said housing, a nest open on the top and having a slot in the side, said nest being adapted to rest on the rocking bottom of the housing, and means adapted to be interposed between the nest and the rocking bottom for bringing the nest against the top of the housing and locking the nest in said position.

EDWARD E. SCHUMAKER.

Copies of this patent may be obtained for five cents each, by addressing the "Commissioner of Patents, Washington, D. C."