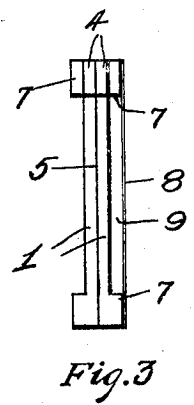
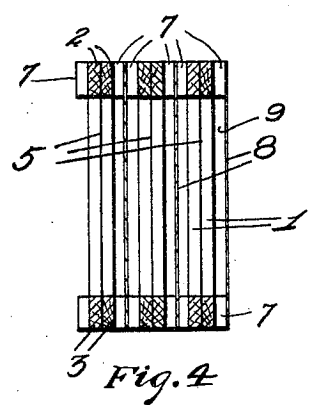
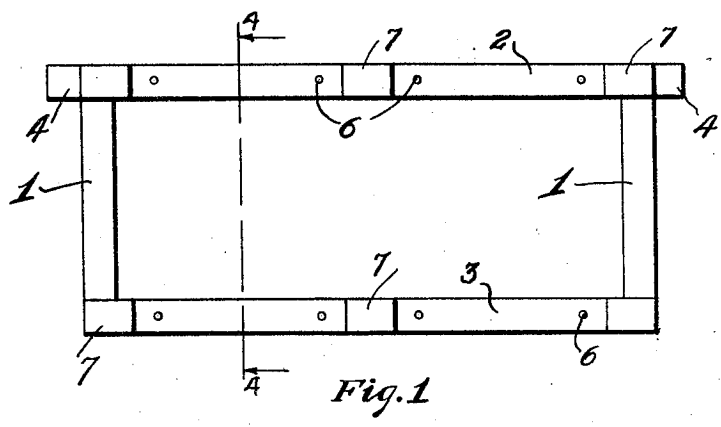
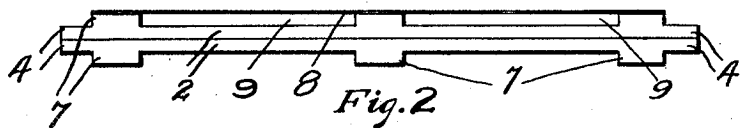


W. E. CREASE.  
 FRAME FOR BEEHIVES.  
 APPLICATION FILED APR. 10, 1919.

1,321,601.

Patented Nov. 11, 1919.



Inventor.  
*Walter E. Crease*  
 By *Joseph A. Miller*  
 Attorney.

# UNITED STATES PATENT OFFICE.

WALTER E. CREASE, OF EAST GREENWICH, RHODE ISLAND.

## FRAME FOR BEEHIVES.

1,321,601.

Specification of Letters Patent.

Patented Nov. 11, 1919.

Application filed April 10, 1919. Serial No. 288,924.

*To all whom it may concern:*

Be it known that I, WALTER E. CREASE, a citizen of the United States, residing at East Greenwich, in the county of Kent and State of Rhode Island, have invented a new and useful Improvement in Frames for Beehives, of which the following is a specification.

This invention relates to certain new and useful improvements in frames for beehives, and it has for one of its objects to provide a structure which will limit the outward formation or construction of the honey cells.

A further object resides in an improved frame structure which while it limits the outward formation of the honey cells, affords free access by the bees to the various combs so that they will be unhampered in the performance of their duties.

These and other objects will be set forth as the description progresses and those features on which protection is desired will be defined in the appended claims, reference being had to the drawing wherein—

Figure 1 is a side elevation of a frame constructed in accordance with the present invention.

Fig. 2 is a top edge view thereof.

Fig. 3 is an end edge view of the same, and

Fig. 4 is a transverse section through a plurality of frames as positioned within a hive, said view being taken on line 4—4 of Fig. 1.

Referring more in detail to the accompanying drawing, the numeral 1 designates the end frame members, 2 the top and 3 the bottom frame members, the top members 2 being extended beyond the end frame members to provide supports 4. Each frame consists of two sections of like form, and these sections are secured together, with an interposed comb base 5 of wax, by suitable fasteners such as nails 6. On the opposite outer faces of the top frame members and the bottom frame members are extensions or spacer blocks 7, the same being arranged in spaced relation lengthwise of the frame members and preferably are integral therewith or cut therefrom. On one side of the frame and secured to the spacer blocks or extensions 7, across the frame, is a sheet of oiled or otherwise treated paper 8.

When the frames are assembled within a hive, the free extensions or spacers 7 on the opposite side of a frame will oppose and abut the paper supporting extensions of the next

adjacent frame, clamping the treated paper therebetween so that this interposed sheet between adjacent frames will serve to limit the outward building of the honey cells on the adjacent sides of both comb bases 5. Fig. 4 discloses several frames assembled, ready for insertion into a hive, and it will be noted that the spacers 7 provide passages 9 between the sheets of treated paper and the frame members so that the bees have ready access to the wax comb base. This arrangement and construction partitions the frames off so that while the paper sheets limit the outward construction of the honey cells, the wax bases are freely accessible by the bees.

Uniformity, as to size of the product, is thus practically assured by this simply and lightly constructed hive frame. The spacers on opposite sides of the paper partition firmly hold the same off of all the frame members so that the bees may enter over the end frame members or over the top and bottom members.

Having thus described my invention, what I claim as new and desire to secure by Letters Patent is—

1. A frame for beehives, comprising two sections each having end frame members connected by top and bottom frame members, a sheet like comb base of wax interposed and secured between the inner faces of the frame sections, the top frame members being extended beyond the end frame members to form supporting handles, spaced extensions on opposite outer side faces of the top and bottom frame members adapted to abut the opposing extensions of an adjacent frame, and a sheet of treated paper stretched across and secured to the extensions on one side of the frame, said extensions serving to support the paper sheet off the wax base and said sheet limiting the outward building of the honey cells on said base.

2. A frame comprising separable sections each consisting of end, top and bottom frame members, said sections adapted to register and be secured together, a comb base interposed between the frame sections, spaced extensions on the opposite outer side faces of the top and bottom frame members, and a sheet like partition secured to the extensions on one side of the frame to serve as a partition between adjacent frame members.

3. A beehive frame including a pair of

frame members each having upper and lower spaced projections on the outer faces thereof, a comb base interposed between the inner faces of the members, and a cell-building limiting sheet secured to the outer faces of the projections of but one of the members, said projections being spaced to form passageways therebetween, and the projections of the outer member being for engagement with the sheet of the next adjacent frame.

4. A frame having a comb base, extensions on opposite sides of the frame and comb base, and a partitioning sheet for separating adjacent comb bases and limiting the outward construction of the honey cells thereon, said sheet spaced off the frame by said ex-

tension and secured to the latter whereby to provide passageways for the bees to enter to the base.

5. A frame comprising separable sections adapted to clamp a comb base therebetween, means to limit the outward construction of the honey cells thereof, and means providing passageways for the bees to enter to the base and for supporting said limiting means.

In testimony whereof I have signed my name to this specification in the presence of two subscribing witnesses.

WALTER E. CREASE.

Witnesses:

ADA E. HAGERTY,  
J. A. MILLER.

Copies of this patent may be obtained for five cents each, by addressing the "Commissioner of Patents, Washington, D. C."