

F. AND S. PELC.
BEEHIVE.
APPLICATION FILED MAY 24, 1919.

1,344,817.

Patented June 29, 1920.

FIG. 1

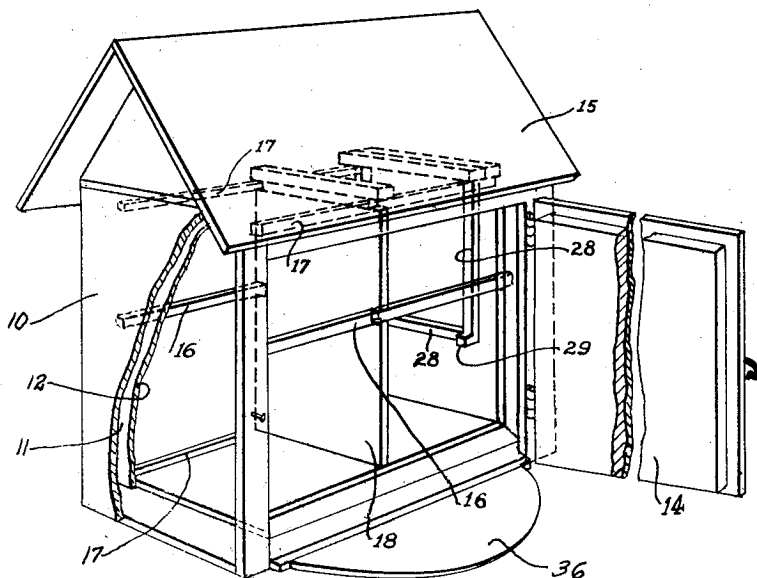


FIG. 3

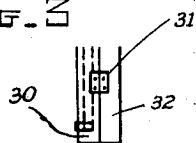


FIG. 2

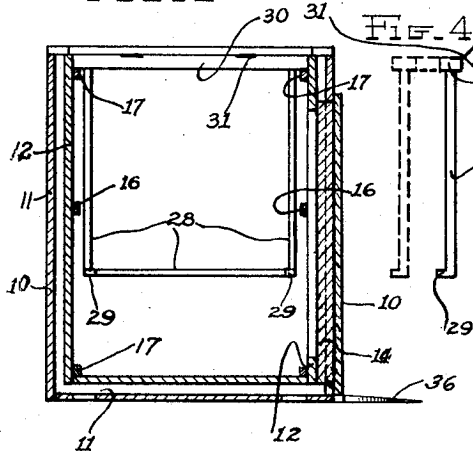


FIG. 4

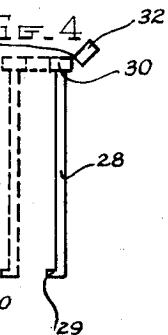


FIG. 5

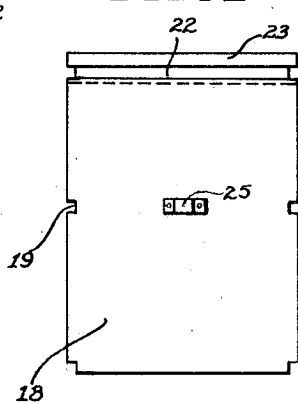
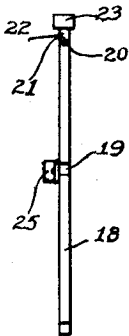


FIG. 6



INVENTOR
Frank Pelc
Stephanie Pelc
BY
Adam Schatz
ATTORNEY

F. AND S. PELC.
BEEHIVE.
APPLICATION FILED MAY 24, 1919.

1,344,817.

Patented June 29, 1920.

FIG. 1

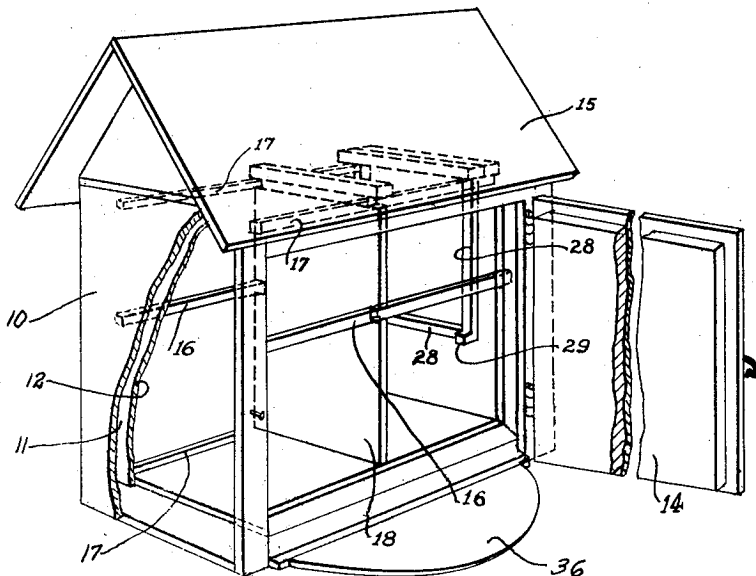


FIG. 3

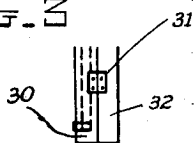


FIG. 2

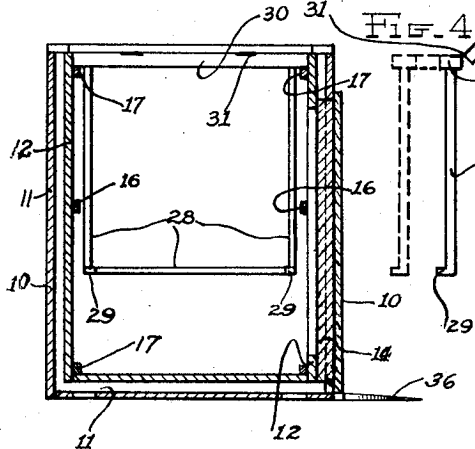


FIG. 4

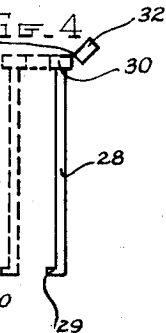


FIG. 5

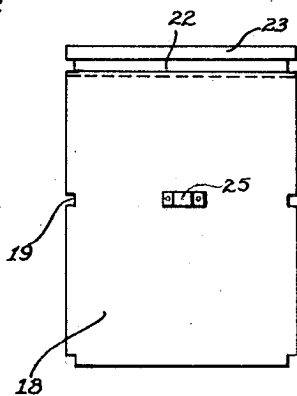
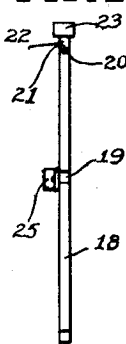


FIG. 6



INVENTOR
Frank Pelc
Stephanie Pelc
BY
Adam Schatz
ATTORNEY