

G. B. BIGGS.
 BEEHIVE ATTACHMENT.
 APPLICATION FILED MAR. 5, 1920.

1,357,832.

Patented Nov. 2, 1920.

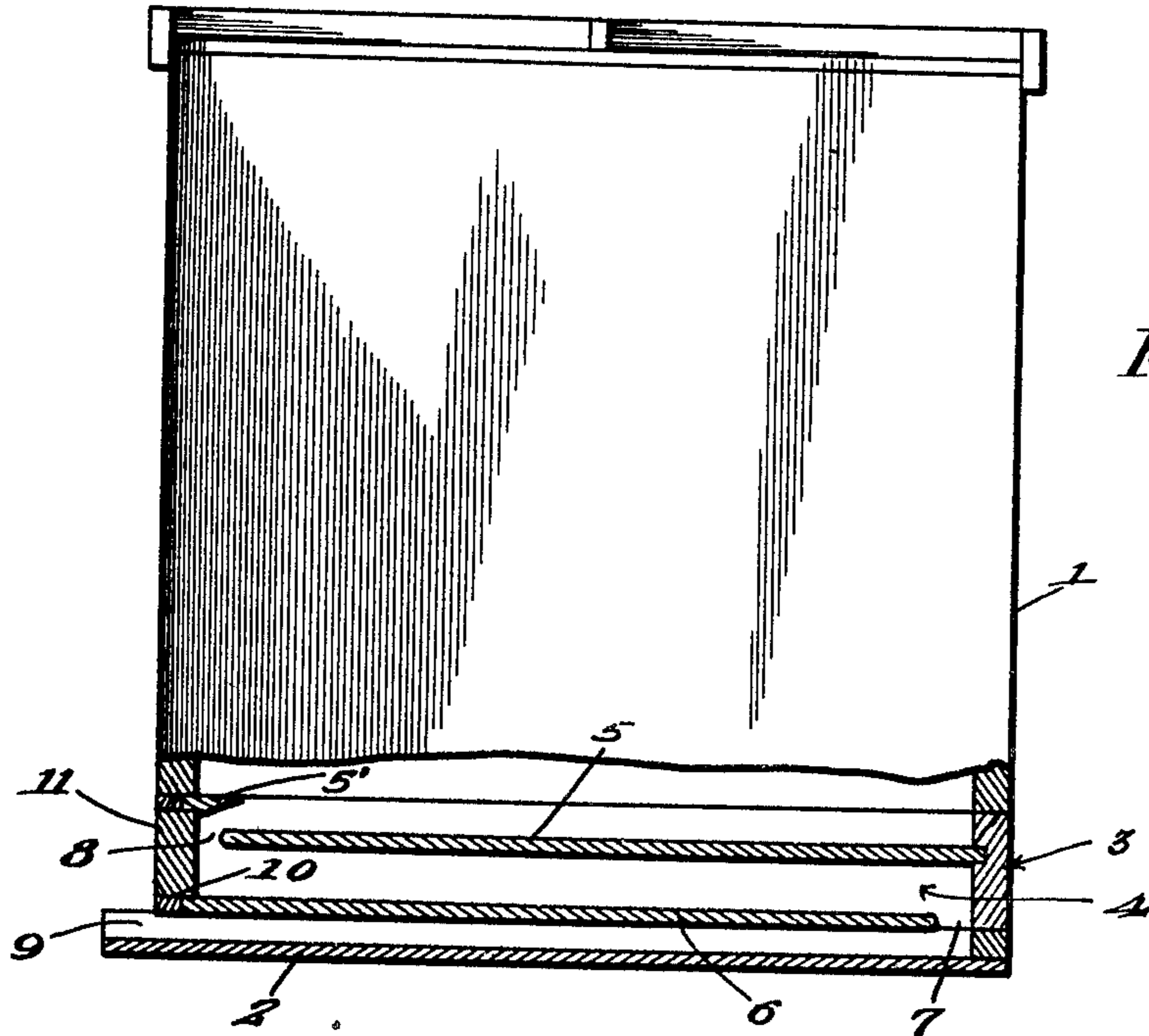


Fig. 1.

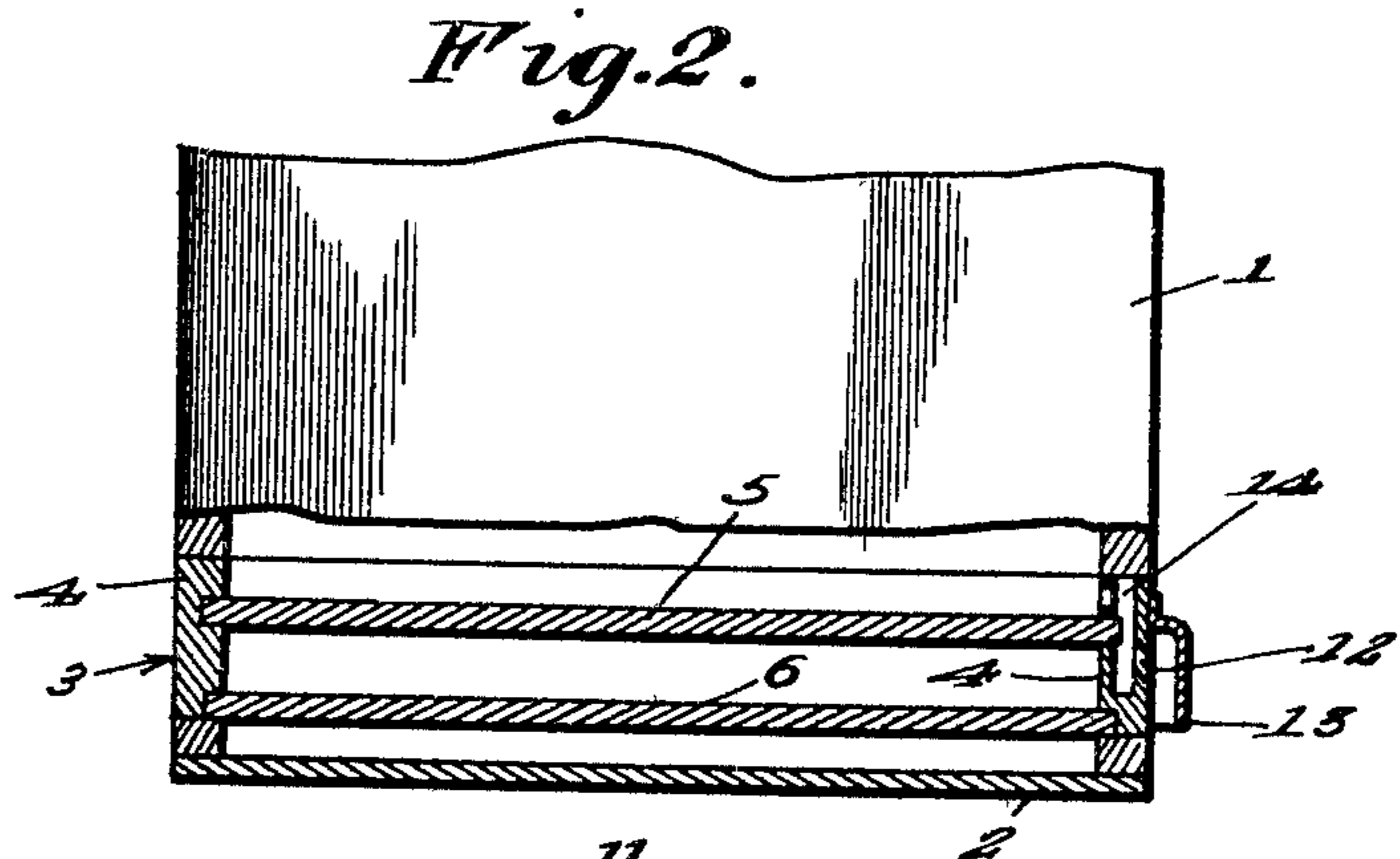


Fig. 2.

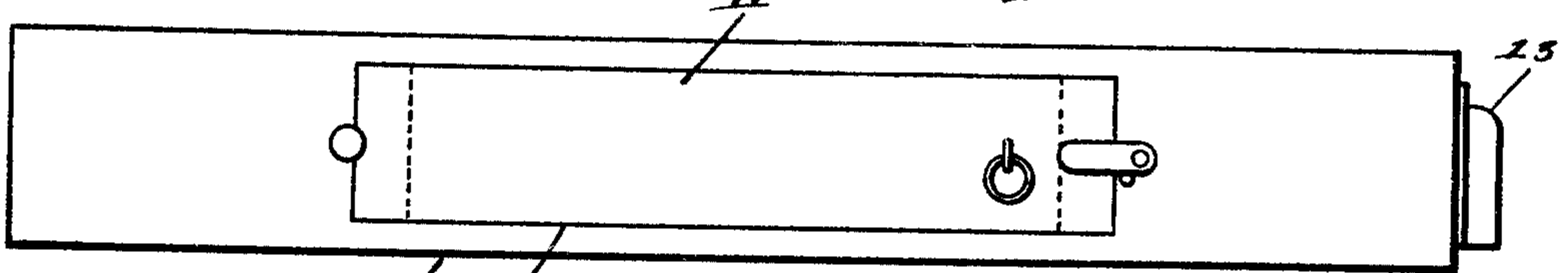


Fig. 3.

R. A. Thomas
 L. B. Middleton
 WITNESSES

G. B. Biggs
 INVENTOR
 BY *Vieta J. Evans*
 ATTORNEY

UNITED STATES PATENT OFFICE.

GEORGE B. BIGGS, OF BALTIMORE, MARYLAND.

BEEHIVE ATTACHMENT.

1,357,832.

Specification of Letters Patent.

Patented Nov. 2, 1920.

Application filed March 5, 1920. Serial No. 363,382.

To all whom it may concern:

Be it known that I, GEORGE B. BIGGS, a citizen of the United States, residing at Baltimore, State of Maryland, have invented new and useful improvements in Beehive Attachments, of which the following is a specification.

This invention relates to an attachment for bee hives and the principal object of the invention is to provide a false bottom for the hive which is provided with means whereby a zigzag passage is formed which extends from the entrance to the body of the hive, the horizontal portions of the passage being of approximately the length of the interior of the hive.

The purpose of the invention is to keep the interior of the hive warm in cold weather by preventing cold winds from blowing into the hive through the entrance opening.

Another object of the invention is to provide a door which may be removed in warm weather to permit the bees a direct entrance to the hive without using the zigzag passage.

Still another object of the invention is to provide a ventilating opening in the false bottom so as to afford ventilation to the hive if the entrance opening should be closed by snow or ice.

This invention also consists in certain other features of construction and in the combination and arrangement of the several parts, to be hereinafter fully described, illustrated in the accompanying drawings and specifically pointed out in the appended claims.

In describing my invention in detail, reference will be had to the accompanying drawings wherein like characters denote like or corresponding parts throughout the several views, and in which:—

Figure 1 is a view of a hive equipped with my invention, the lower part being broken away to show the interior construction

Fig. 2 is a transverse section.

Fig. 3 is a front view of the attachment.

In these views 1 indicates the body of the hive, 2 the bottom board thereof and 3 indicates the attachment, which acts as a false bottom for the hive. This attachment is formed of the side walls 4 and the upper and lower bottoms 5 and 6. A space 7 is left at the rear edge of the lower bottom and a space 8 at the front edge at the upper bot-

tom, the two bottoms being spaced apart as shown.

A baffle strip 5' is located in a recess formed in the front upper edge of the frame and is located above the space 8. This strip has its under face beveled as shown and said strip acts to deflect the air passing through said space 8 from the passageway and also as a shelf to prevent dead bees from dropping into said space 8 and thus choking up the passageway. I prefer to make the free ends of the bottoms 5 and 6 of rounded form as shown in Fig. 1.

It will thus be seen that when the attachment is in place the bees will enter the usual entrance opening 9 and pass into the space between the main bottom and the lower bottom 5. From this space they pass through the opening 7 into the space between the upper and lower bottoms and pass along this space to the front of the attachment and from this space they pass through the opening 8 into the body of the hive. These long horizontal passages connected together by the small openings 7 and 8 will prevent the entrance of cold air into the body of the hive from the entrance opening.

In order to render it unnecessary to remove the attachment in warm weather I form an opening 10 in the front wall of the attachment so that the bees may pass through this opening into the space above the upper bottom and thus directly into the hive. In cold weather this opening is closed by the door 11, which is held in place by any suitable means.

This door also permits a bee-keeper to remove dead bees from the upper and lower bottoms as he may remove this door and scrape the dead bees from the two plates by means of a stick or the like.

In order to prevent the bees from being suffocated if the entrance opening should become blocked by snow or ice I provide a ventilating hole 12 in the side of the attachment, said opening being inclined and having its upper end communicating with the space above the upper bottom. The outer end of this opening is covered by a shield 13. I provide a large hole 14 which passes downwardly through the upper edge of the side wall of the attachment and has its lower end communicating with said hole 12, this hole acting to check the stream of air passing through the ventilating hole 12.

It will thus be seen that the attachment

can be easily and quickly placed in position without changing the hive in any way. It is simply necessary to lift the body of the hive off the bottom plate, place the attachment on said bottom plate and then place the body of the hive on the attachment. During warm weather the door is left open so that the bees can pass directly through the opening into the body of the hive without using the zigzag passage. When cold weather sets in the door is placed in position so as to compel the bees to pass through the long zigzag passageway, this passage way preventing the entrance of cold air.

It is thought from the foregoing description that the advantages and novel features of my invention will be readily apparent.

I desire it to be understood that I may make changes in the construction and in the combination and arrangement of the several parts, provided that such changes fall within the scope of the appended claims.

What I claim is:—

1. In combination with a bee hive, a false bottom for the same comprising a frame, a pair of bottom plates therein spaced apart and the bottom plate having an opening in its rear end and the top plate having an opening in its front end.

2. In combination with a bee hive, a false bottom therefor placed between the bottom plate and body of the hive and comprising a frame, a pair of spaced bottom plates carried by the frame, the lower plate having an opening in its rear end and the top plate having an opening in its front end, a door opening in the front of the frame communicating with the space above the top plate and a door for closing said opening.

3. In combination with a bee hive, a false bottom therefor adapted to be placed between the bottom plate and the body of the

hive, said false bottom comprising a frame, a pair of spaced horizontal plates carried by the frame, the lower plate having an opening in its rear end and the upper plate having an opening in its front end, said frame having an opening in its front communicating with the space above the upper plate, a door for closing said opening and the side of the frame having a ventilating opening therein communicating with the space above the top plate and a shield for the outer end of said opening.

4. In combination with a bee hive, a false bottom therefor adapted to be placed between the bottom plate and the body of the hive, said false bottom comprising a frame, a pair of spaced horizontal plates carried by the frame, the lower plate having an opening in its rear end and the upper plate having an opening in its front end, said frame having an opening in its front communicating with the space above the upper plate, a door for closing said opening and the side of the frame having a ventilating opening therein communicating with the space above the top plate, a shield for the outer end of said opening and said frame having a large opening extending downwardly through the upper edge of the frame with its lower end communicating with the ventilating opening.

5. In combination with a bee hive, a false bottom for the same comprising a frame, a pair of bottom plates therein spaced apart and the bottom plate having an opening at its rear end and the top plate having an opening in its front end and a baffle plate and shelf above the front opening.

In testimony whereof I affix my signature.

GEORGE B. BIGGS.