

J. GORNIAK.
BEEHIVE.

APPLICATION FILED JAN. 22, 1921.

1,392,635.

Patented Oct. 4, 1921.

FIG. 1

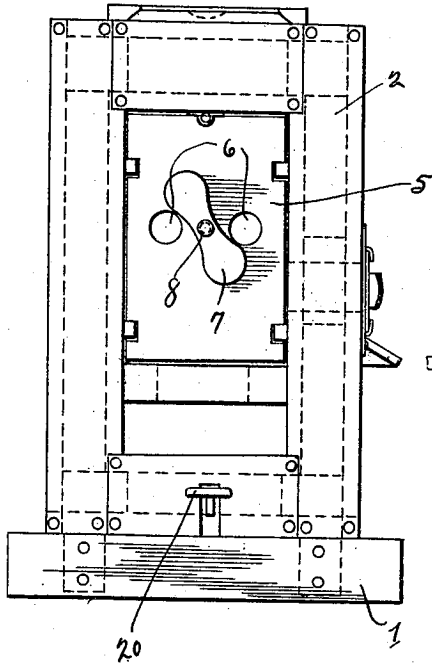


FIG. 2

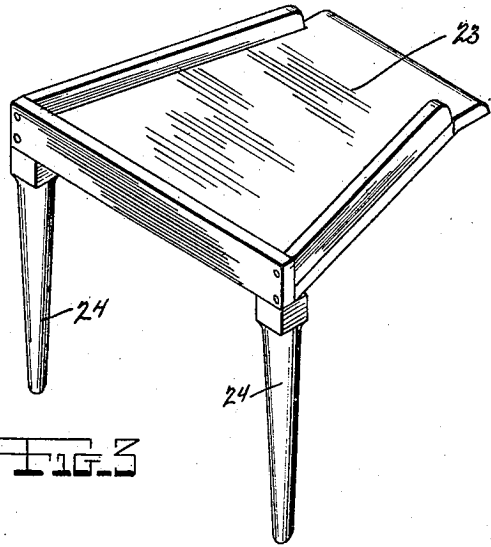
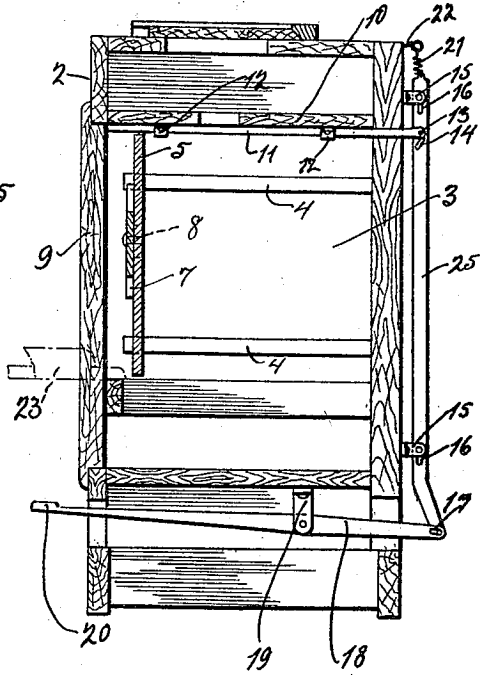


FIG. 3

INVENTOR
Jozef Gorniak
BY
Maxim *Palina*
ATTORNEY

UNITED STATES PATENT OFFICE.

JOZEF GORNIAK, OF DENVER, COLORADO.

BEEHIVE.

1,392,635.

Specification of Letters Patent.

Patented Oct. 4, 1921.

Application filed January 22, 1921. Serial No. 439,181.

To all whom it may concern:

Be it known that I, JOZEF GORNIAK, a citizen of the United States, residing at Denver, in the county of Denver and State of Colorado, have invented certain new and useful Improvements in Beehives, of which the following is a specification.

The main object of this invention is the provision of a bee hive having ready means of access to the interior thereof and convenient means for the removal of honey.

The above and other objects will become apparent in the description below, in which like-named parts are referred to by like-named characters of reference.

Referring briefly to the drawings, Figure 1 is a front elevational view of my device with the front door removed.

Fig. 2 is a substantially central cross-sectional view of the same in side elevation.

Fig. 3 is a perspective view of my auxiliary table.

Referring now in detail to the drawings, the numeral 1 represents the base of my device, having a frame 2 mounted thereon. A compartment 3 is inclosed by horizontal walls 4 within said frame, said compartment constituting the hive. A removable door 5, having circular recesses 6 therein, is mounted over the forward end of said compartment. A shutter 7 is pivotally mounted at 8 on said door, and is adapted, by rotation, to open or close said recesses at will.

The forward end of the frame 2 is provided with a jam door 9. I have provided the following means for opening the latter door. A horizontal rod 11 is slidably mounted in brackets 12 suspended from the upper wall 10, said rod extending through the frame to the rear thereof. A vertical rod 25 is slidably mounted on the rear of the frame, having support on pins 15 engaging slots 16 in the rod 25. An arcuate slot 14 is provided in the latter near the upper end, and the rod 11 engages said latter slot by

means of a pin 13 on the rod 11. A lever 18, pivotally supported in a bracket 19 near the base 1, is pivotally connected to the rod 25 by means of a pin-and-slot engagement shown at 17. A pedal 20 is provided at the forward end of said lever. An eyelet 22 extends from the roof of the frame, and a coiled spring 21 connects said eyelet with the upper extremity of the rod 25, normally urging said rod upward.

It is now apparent that, in order to open the door 9, it is simply necessary to depress the pedal 20 with the foot, causing the rod 25 to move upward, aided by the spring 21. Thus the arcuate slot 14 acts as a cam, and forces the rod 11 toward the front of the device, thus forcing the door 9 open, whence it may be grasped and removed.

For use as an auxiliary with my device, I provide a table 23 having legs 24, which I slidably insert in the manner illustrated in broken lines in Fig. 2, after the jam door has been removed. Thus one may place materials, honey, etc. on this table while working about the hive.

I claim:

A device of the class described comprising a base, a frame mounted thereon, a jam door on the front of said frame, and means for opening said door comprising a lever having a pedal thereon pivotally mounted in said base, a horizontal rod slidably mounted in said frame, a vertical rod slidably mounted on the rear of said frame, an arcuate slot in said vertical rod, a pin on the extremity of said horizontal rod having engagement with said slot, a pin on the lower extremity of said vertical rod, and a slot in the extremity of said lever being engaged by said last-named pin.

In witness whereof I affix my signature.

JOZEF GORNIAK.

Witness:

ANDY ^{his} X KONECKI.
mark