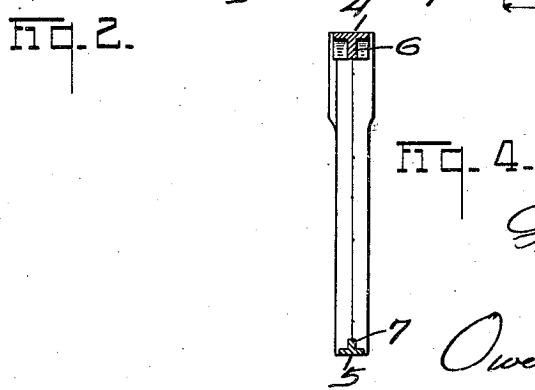
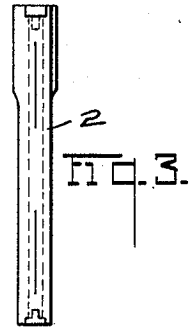
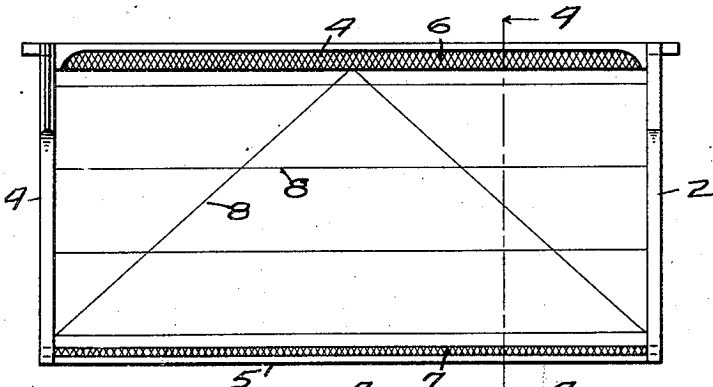
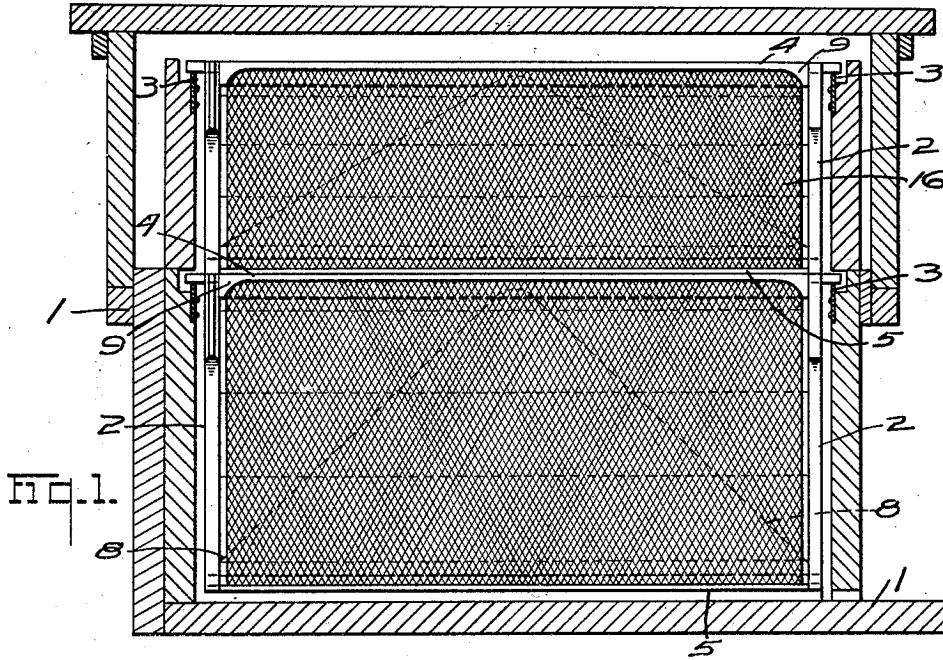


F. W. SUMMERFIELD.
BEEHIVE FRAME.
APPLICATION FILED FEB. 21, 1921.

1,425,295.

Patented Aug. 8, 1922.

2 SHEETS—SHEET 1.

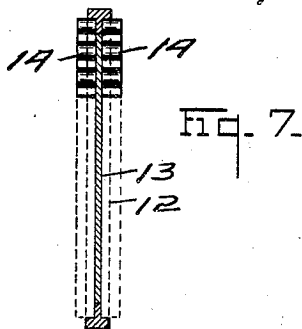
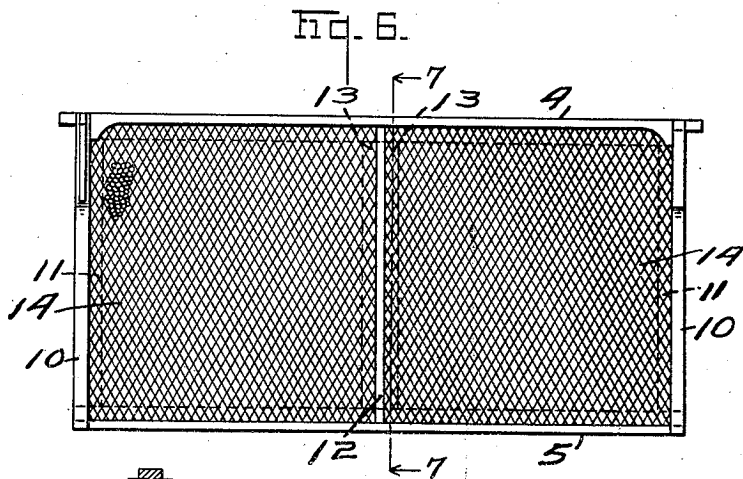
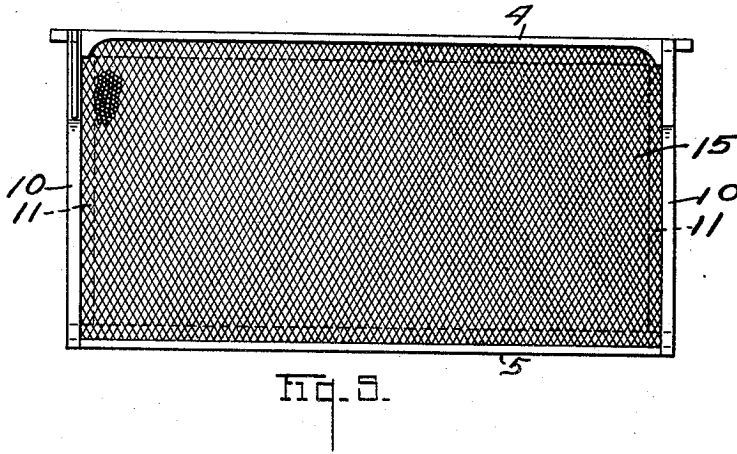


INVENTOR
Frederick W. Summerfield,
by
Owen, Owen & Crampton.

F. W. SUMMERFIELD,
BEEHIVE FRAME,
APPLICATION FILED FEB. 21, 1921.

1,425,295.

Patented Aug. 8, 1922.
2 SHEETS—SHEET 2.

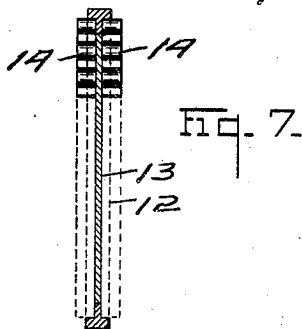
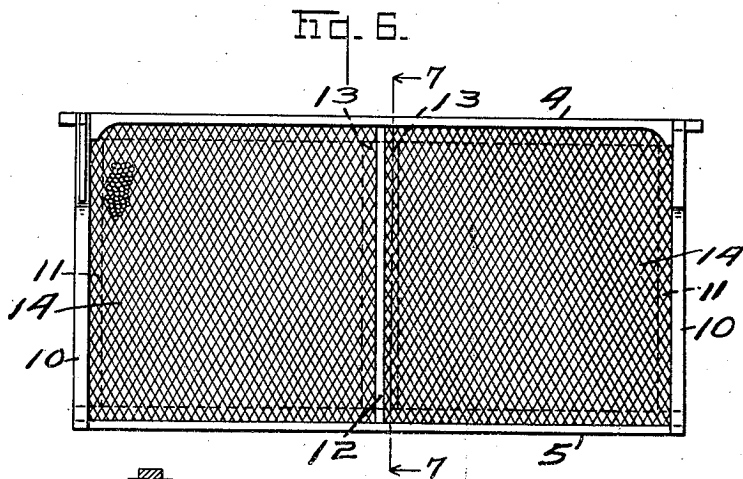
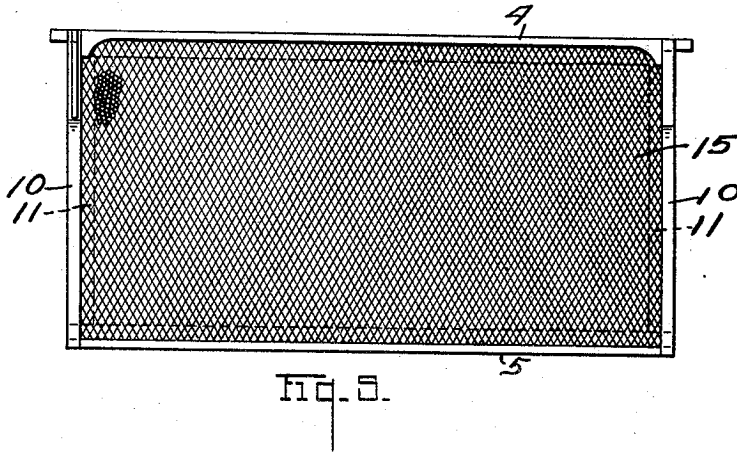


INVENTOR
Fredrick W. Summerfield
by
Owen, Owen & Co.

F. W. SUMMERFIELD,
BEEHIVE FRAME,
APPLICATION FILED FEB. 21, 1921.

1,425,295.

Patented Aug. 8, 1922.
2 SHEETS—SHEET 2.



INVENTOR
Fredrick W. Summerfield
by
Owen, Owen & Crumpton

F. W. SUMMERFIELD,
BEEHIVE FRAME,
APPLICATION FILED FEB. 21, 1921.

1,425,295.

Patented Aug. 8, 1922.
2 SHEETS—SHEET 2.

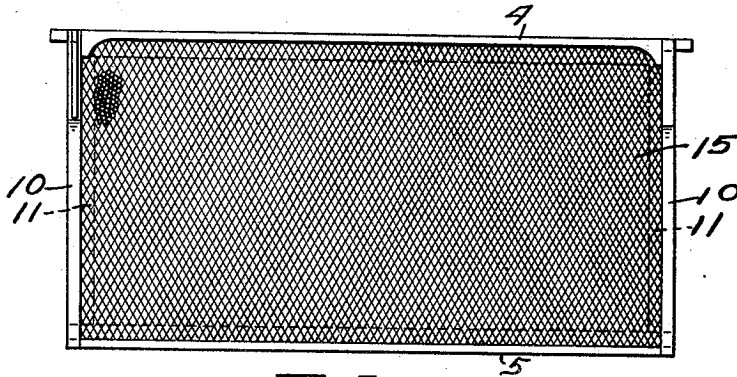


FIG. 5.

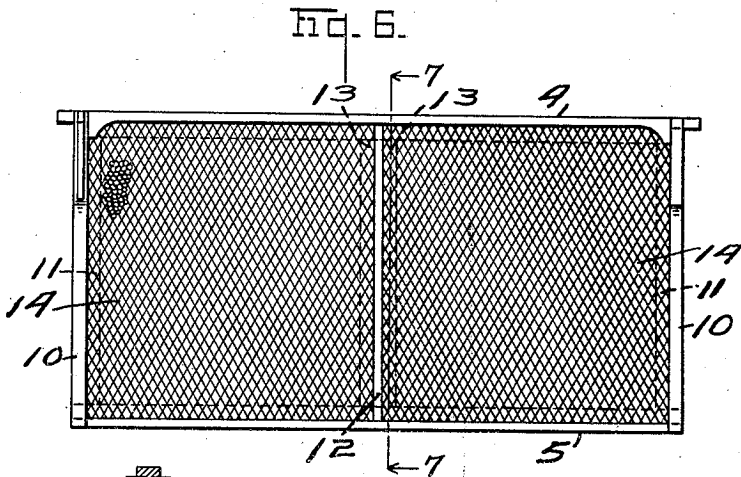


FIG. 6.

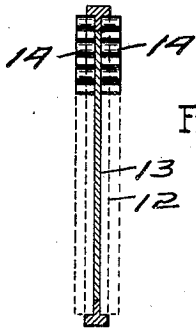


FIG. 7.

INVENTOR
Fredrick W. Summerfield
by
Owen, Owen & Crumpton