

Feb. 5, 1924.

1,482,468

O. L. HERSHISER

CAGE FOR TRANSPORTING AND INTRODUCING BEES

Filed April 17, 1922

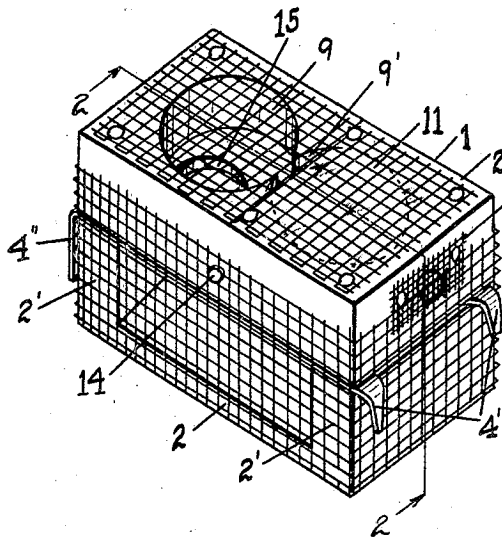


FIG. I.

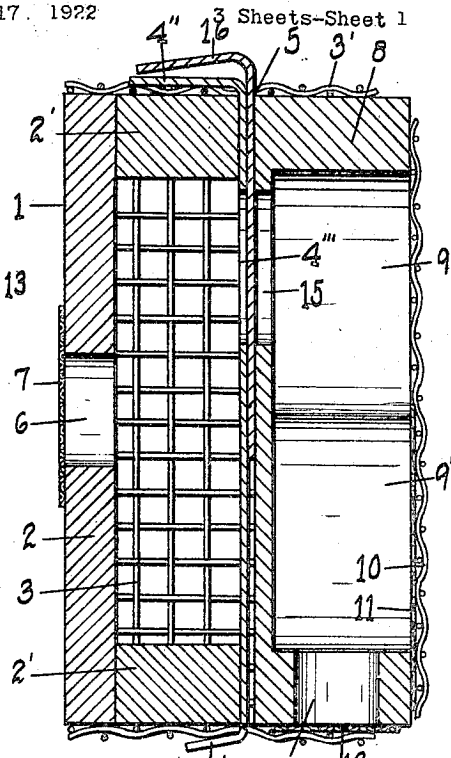


FIG. II.

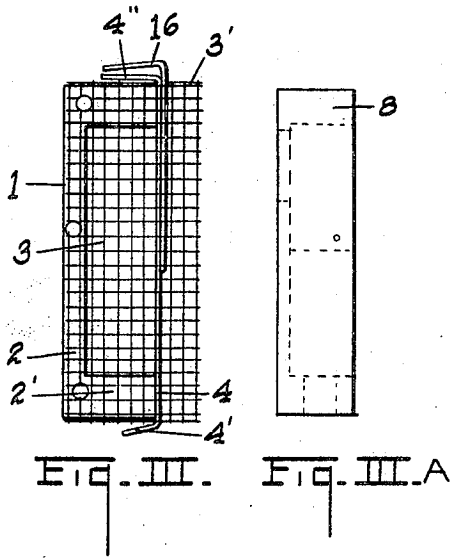


FIG. III.

FIG. III.A

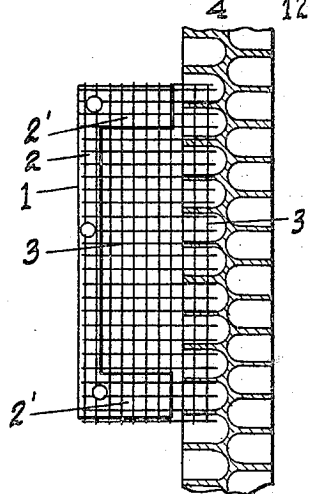


FIG. IV.

Inventor

Orel L. Hershiser

Charles J. Earl

Attorneys

Feb. 5, 1924.

1,482,468

O. L. HERSHISER

CAGE FOR TRANSPORTING AND INTRODUCING BEES

Filed April 17, 1922

3 Sheets-Sheet 2

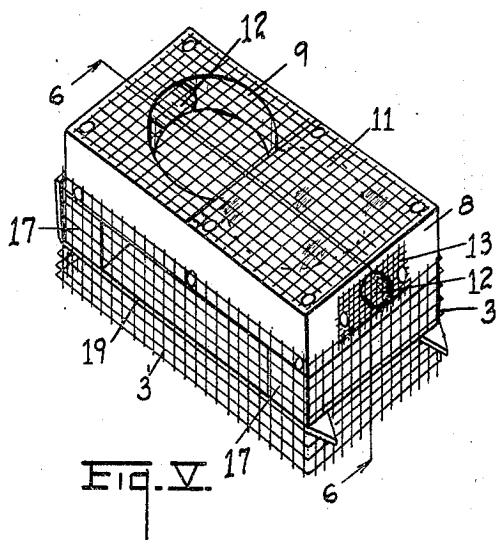


FIG. V.

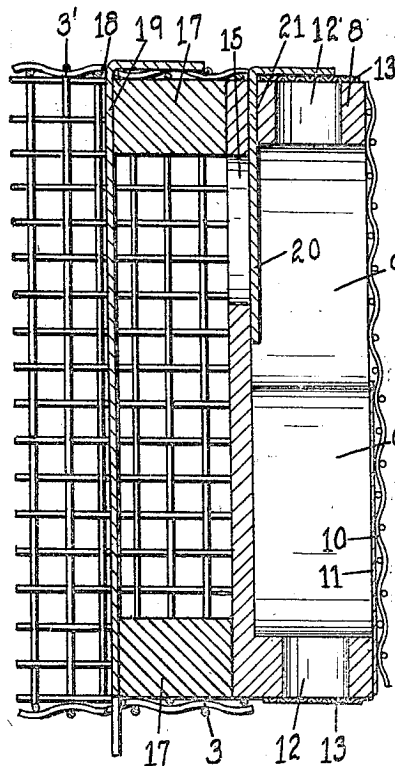


FIG. VI.

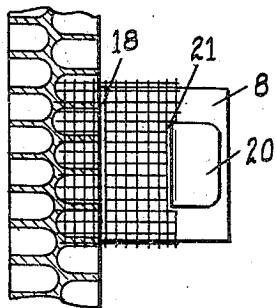


FIG. VII.

Inventor  
Orel L. Hershiser

Chapman & DeLaurier

Attorney

354

Feb. 5, 1924.

1,482,468

O. L. HERSHISER

CAGE FOR TRANSPORTING AND INTRODUCING BEES

Filed April 17, 1922

3 Sheets-Sheet 3

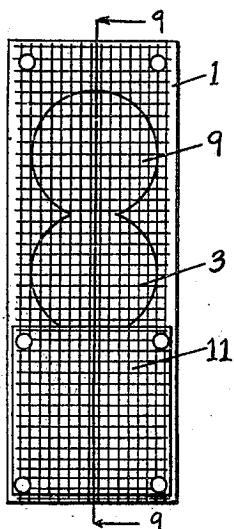


FIG. VIII.

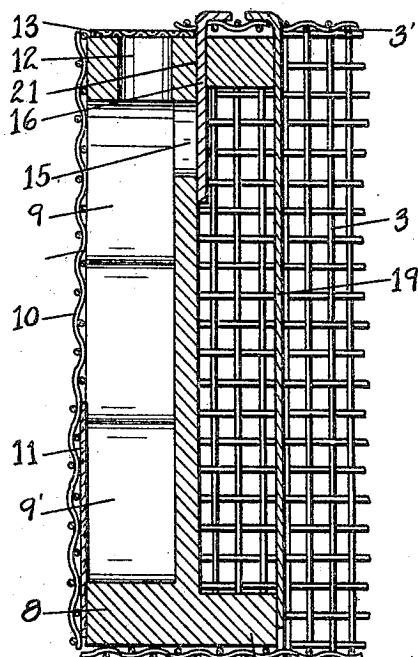


FIG. IX.

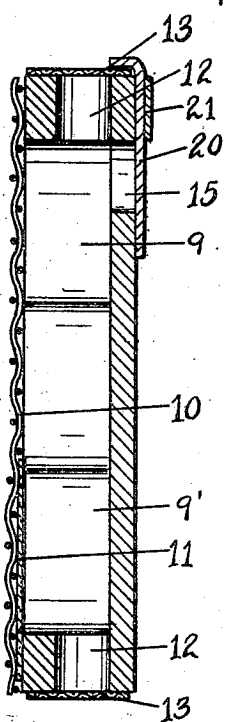


FIG. X.

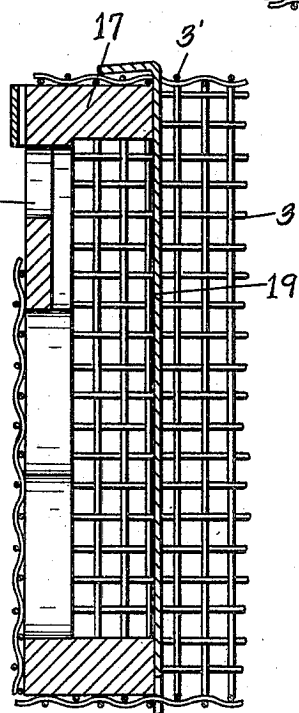


FIG. XI.

INVENTOR.  
Orel L. Hershiser  
BY *Chapman & Paul*  
ATTORNEYS

# UNITED STATES PATENT OFFICE.

OREL L. HERSHISER, OF KENMORE, NEW YORK.

CAGE FOR TRANSPORTING AND INTRODUCING BEES.

Application filed April 17, 1922. Serial No. 554,260.

To all whom it may concern:

Be it known that I, OREL L. HERSHISER, a citizen of the United States, residing at Kenmore, county of Erie, State of New York, have invented certain new and useful Improvements in Cages for Transporting and Introducing Bees, of which the following is a specification.

This invention relates to improvements in cages for transporting and introducing bees.

The object of the invention is to provide an effective structure in which the queen bee can be properly fed in transportation and from which she can be effectively introduced without danger or contamination of the colony with the food and without serious danger to the safety of the queen.

Further objects, and objects relating to details and economies of construction and operation will definitely appear from the detailed description to follow.

I accomplish the objects of my invention by the devices and means described in the following specification. The invention is clearly defined and pointed out in the claims.

A structure which is a preferred embodiment of my invention is fully illustrated in the accompanying drawing forming a part of this specification, in which:

Fig. I is a perspective view of my improved bee mailing and introducing cage.

Fig. II is a longitudinal sectional view taken on line 2—2 of Fig. I.

Fig. III is a side elevation view of my improved cage with the slide in place and the food compartment removed.

Fig. III<sup>A</sup> is a side elevation of my food compartment, certain details appearing in dotted lines.

Fig. IV is a partial section of a comb with my cage in place for introducing the queen.

Fig. V is a perspective view of a modification of my mailing and introducing cage.

Fig. VI is a longitudinal section corresponding to line 6—6 of Fig. V.

Fig. VII is a plan view of my cage in connection with the comb in place for introducing shown partially in section.

Fig. VIII is a plan view of a slight modification.

Fig. IX is a sectional view of the same taken on line 9—9 of Fig. VIII.

Fig. X is a detail sectional view of a modification showing detached mailing cage for the queen.

Fig. XI is the introducing cage, both

views being longitudinal views and the parts associated together for a complete structure.

In the drawing, the sectional views are taken looking in the direction of the little arrows at the ends of the section lines and similar numerals of reference refer to similar parts throughout the several views.

A large percentage of the queen bees produced by breeders and purchased by bee keepers are lost by attempted introduction. Many of the losses are directly traceable to the faulty construction of the mailing and introducing cages. These are designed more particularly for transportation rather than for introducing. Many of the queens, being confined within the limited quarters of these cages and feeding during the process of introduction on the food provided for shipment, do not acquire the colony odor sufficiently to render them acceptable to the colony. As a consequence, it is a common occurrence for a queen introduced in this manner to be killed by the bees as soon as she emerges from the cage.

Further, contagious diseases such as American and European foul brood have been conveyed by food used for the queen and attendant worker bees while being transported. To prevent the spread of these infectious diseases, all food remaining in the cages should be removed or the queen and attendant worker bees sufficiently excluded from it before introducing the queen. The diseases mentioned are of the larvæ brood and are not communicated to the colony if none of the food in the cage is allowed to be stored within the hive to which the queen is being introduced. The disease germs in the food eaten by the queen and attendant worker bees are consumed by digestion and no disease is communicated thereby.

Referring to the parts of the drawing by their numbers, 1 represents my improved mailing and introducing cage in parallel-piped. The top 2 is a rectangular shaped block of wood with cross blocks 2', 2' at each end. The cage, or enclosure, is formed by tacking the wire screen 3 around the form. The wire extends below the false bottom 4 at 3' and embraces the food receptacle 8, which is removable. Just below the wood block 2' at one end is a slot 5 cut into the wire screen to admit the false bottom 4 which terminates at one end in two points 4' which are bent to hold the bottom in place. The other end of the false bottom 4 is bent

# UNITED STATES PATENT OFFICE.

OREL L. HERSHISER, OF KENMORE, NEW YORK.

CAGE FOR TRANSPORTING AND INTRODUCING BEES.

Application filed April 17, 1922. Serial No. 554,260.

To all whom it may concern:

Be it known that I, OREL L. HERSHISER, a citizen of the United States, residing at Kenmore, county of Erie, State of New York, have invented certain new and useful Improvements in Cages for Transporting and Introducing Bees, of which the following is a specification.

This invention relates to improvements in cages for transporting and introducing bees.

The object of the invention is to provide an effective structure in which the queen bee can be properly fed in transportation and from which she can be effectively introduced without danger or contamination of the colony with the food and without serious danger to the safety of the queen.

Further objects, and objects relating to details and economies of construction and operation will definitely appear from the detailed description to follow.

I accomplish the objects of my invention by the devices and means described in the following specification. The invention is clearly defined and pointed out in the claims.

A structure which is a preferred embodiment of my invention is fully illustrated in the accompanying drawing forming a part of this specification, in which:

Fig. I is a perspective view of my improved bee mailing and introducing cage.

Fig. II is a longitudinal sectional view taken on line 2—2 of Fig. I.

Fig. III is a side elevation view of my improved cage with the slide in place and the food compartment removed.

Fig. III<sup>A</sup> is a side elevation of my food compartment, certain details appearing in dotted lines.

Fig. IV is a partial section of a comb with my cage in place for introducing the queen.

Fig. V is a perspective view of a modification of my mailing and introducing cage.

Fig. VI is a longitudinal section corresponding to line 6—6 of Fig. V.

Fig. VII is a plan view of my cage in connection with the comb in place for introducing shown partially in section.

Fig. VIII is a plan view of a slight modification.

Fig. IX is a sectional view of the same taken on line 9—9 of Fig. VIII.

Fig. X is a detail sectional view of a modification showing detached mailing cage for the queen.

Fig. XI is the introducing cage, both

views being longitudinal views and the parts associated together for a complete structure.

In the drawing, the sectional views are taken looking in the direction of the little arrows at the ends of the section lines and similar numerals of reference refer to similar parts throughout the several views.

A large percentage of the queen bees produced by breeders and purchased by bee keepers are lost by attempted introduction. Many of the losses are directly traceable to the faulty construction of the mailing and introducing cages. These are designed more particularly for transportation rather than for introducing. Many of the queens, being confined within the limited quarters of these cages and feeding during the process of introduction on the food provided for shipment, do not acquire the colony odor sufficiently to render them acceptable to the colony. As a consequence, it is a common occurrence for a queen introduced in this manner to be killed by the bees as soon as she emerges from the cage.

Further, contagious diseases such as American and European foul brood have been conveyed by food used for the queen and attendant worker bees while being transported. To prevent the spread of these infectious diseases, all food remaining in the cages should be removed or the queen and attendant worker bees sufficiently excluded from it before introducing the queen. The diseases mentioned are of the larvæ brood and are not communicated to the colony if none of the food in the cage is allowed to be stored within the hive to which the queen is being introduced. The disease germs in the food eaten by the queen and attendant worker bees are consumed by digestion and no disease is communicated thereby.

Referring to the parts of the drawing by their numbers, 1 represents my improved mailing and introducing cage in paralleloped. The top 2 is a rectangular shaped block of wood with cross blocks 2', 2' at each end. The cage, or enclosure, is formed by tacking the wire screen 3 around the form. The wire extends below the false bottom 4 at 3' and embraces the food receptacle 8, which is removable. Just below the wood block 2' at one end is a slot 5 cut into the wire screen to admit the false bottom 4 which terminates at one end in two points 4' which are bent to hold the bottom in place. The other end of the false bottom 4 is bent

screen sides inserted into the face of comb and the false bottom removed.

inserted into the face of comb and the false bottom removed.

4. In a cage for transporting and introducing a queen bee, the combination of a suitable box with slide false bottom and screen side walls extended beyond the bottom, a separable food compartment associated therewith, with means for shutting it off from the said box or cage, whereby on introducing the queen the bees can be separated from the food and the screen sides inserted into the face of comb and the false bottom removed.

6. In a cage for transporting and introducing a queen bee, a structure comprising a box with suitable screen sides, with slide bottom above the lower edge thereof, whereby the extended screen sides can be inserted into the face of comb and the slide bottom removed, as specified.

5. In a cage for transporting and introducing a queen bee, the combination of a suitable box having separable food means and having a slide false bottom and screen side walls extended beyond the bottom, whereby on introducing the queen the bees can be separated from the food and the screen sides

7. A cage for transporting and introducing a queen bee comprising a food compartment, a restricted door leading thereto, an introducing compartment in proximity to the food compartment with a removable bottom and means for supporting the same with the bottom side toward the comb, as specified.

20

In witness whereof, I have hereunto set my hand.

OREL L. HERSHISER. [L. s.]