

Dec. 23, 1924.

1,520,152

A. V. SMALL

SHIPPING AND EXHIBITING CASE FOR HONEY

Filed Oct. 13, 1923

FIG. 1

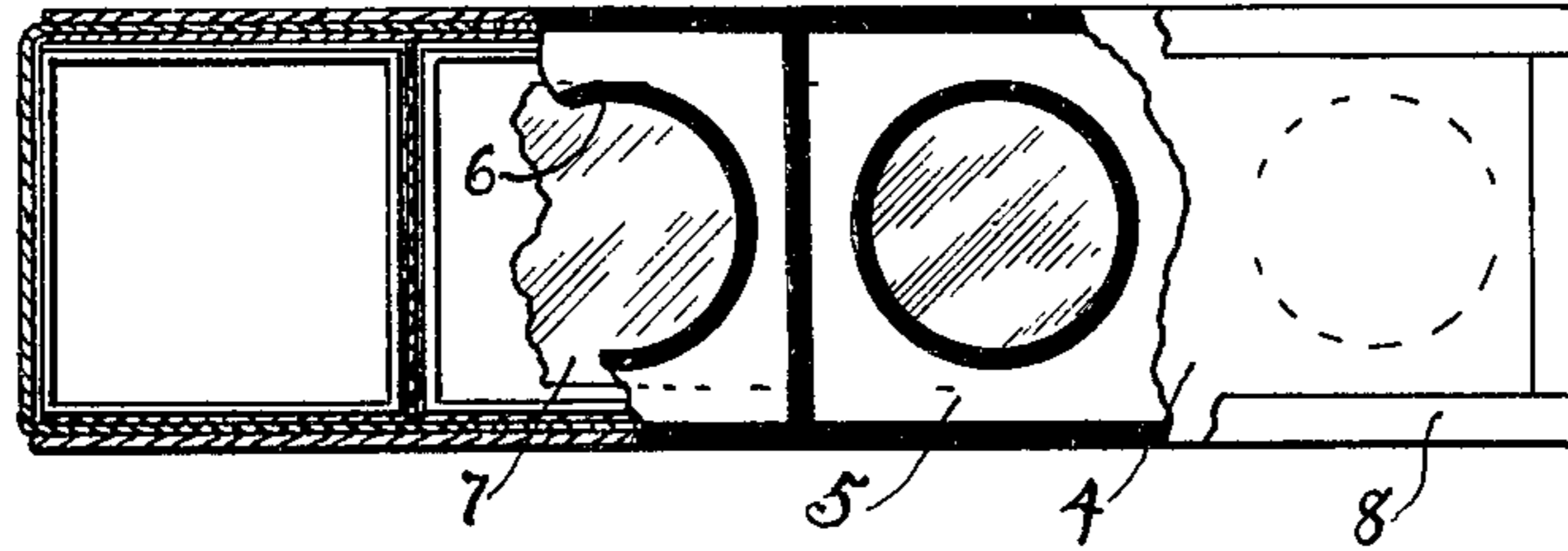


FIG. 2

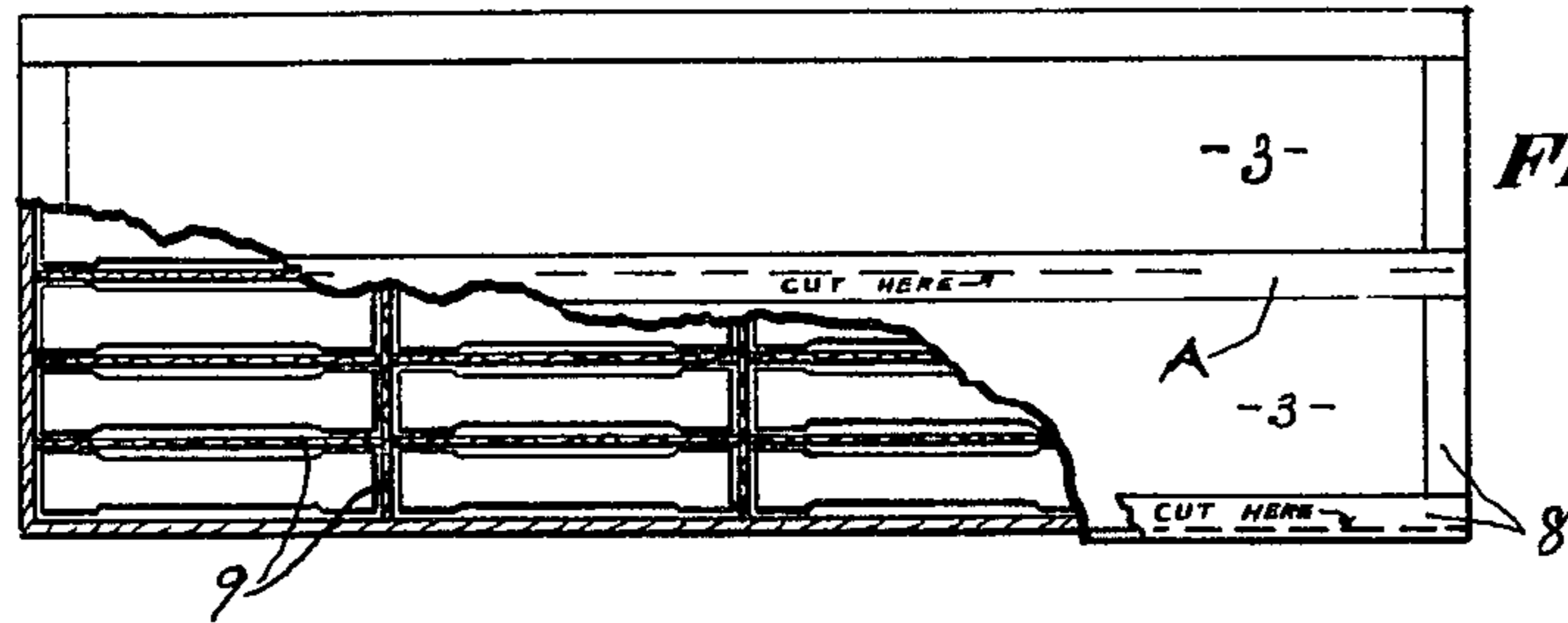
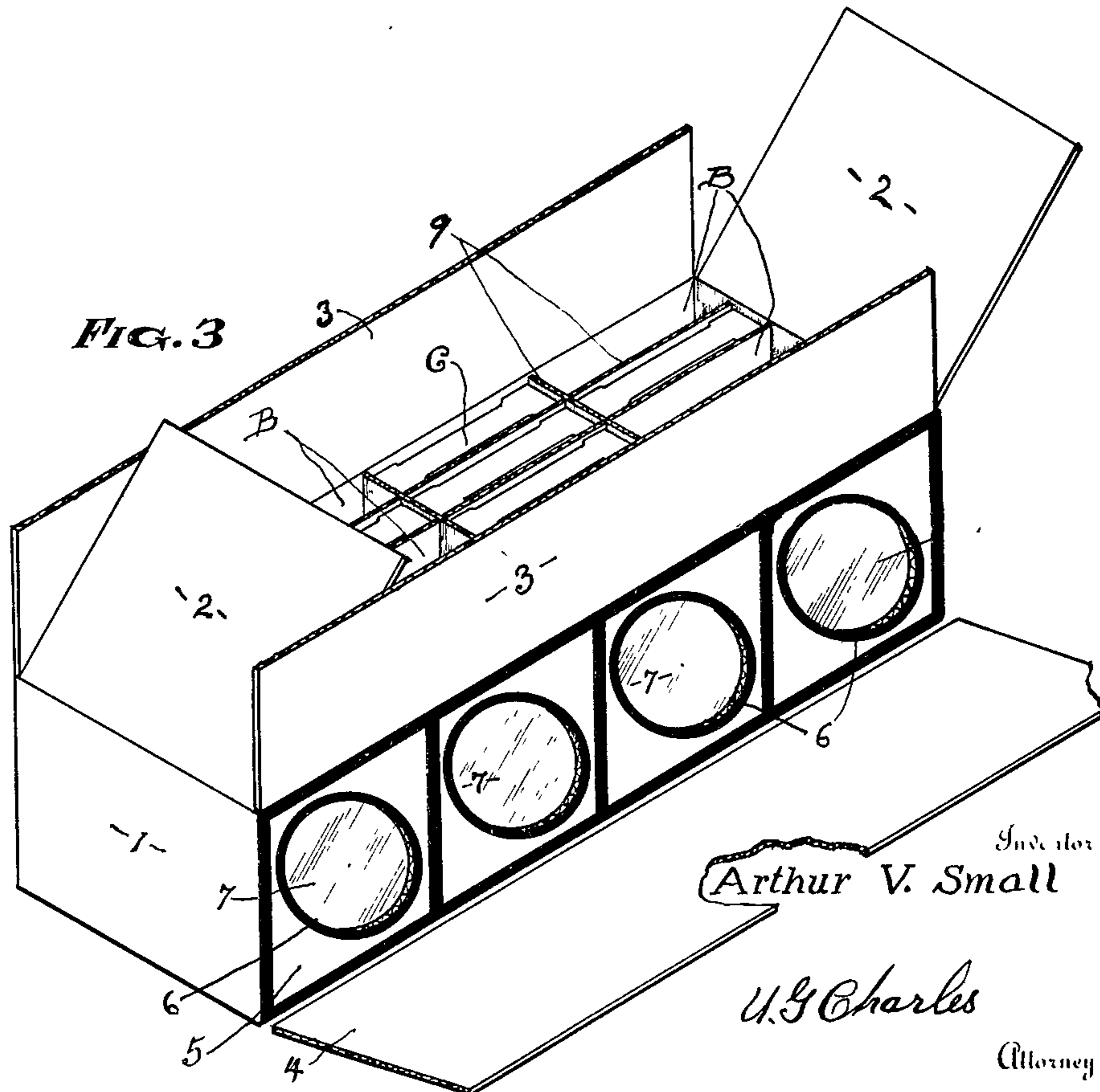


FIG. 3



Inventor  
Arthur V. Small

U. S. Charles  
Attorney

# UNITED STATES PATENT OFFICE.

ARTHUR V. SMALL, OF AUGUSTA, KANSAS.

SHIPPING AND EXHIBITING CASE FOR HONEY.

Application filed October 13, 1923. Serial No. 668,373.

*To all whom it may concern:*

Be it known that I, ARTHUR V. SMALL, a citizen of the United States, residing at Augusta, county of Butler, and State of Kansas, have invented new and useful Improvements in Shipping and Exhibiting Cases for Honey, reference being had to the accompanying drawings, which form a part of this application.

My invention relates to shipping and exhibiting cases for honey.

The objects of my invention are as follows:

First; to provide a shipping case having means for exhibiting the contents thereof.

Second; to provide means for exhibiting the goods contained in the case until all the contents have been removed except that portion in view.

Third; to provide a shipping and exhibiting case for honey having a lid to cover the transparent observation means, during transportation.

Fourth; to provide an exhibit case for honey so that the visible blocks are kept in a sanitary condition while on exhibition in stock.

Fifth; to provide a shipping and exhibit case for honey that will obscure the unsightly edges and corners of the block, but show the bulk of the block that the quality may be easily observed.

Referring to the drawings;

Fig. 1 is a side view, parts removed for convenience of illustration.

Fig. 2 is a top view, having part removed to reveal contents.

Fig. 3 is a perspective of the case, in open form, for convenience of description.

1 is the end of the case, 2 is short flap conforming to the width of the case. 3 are side wings which fold over the flaps 2. 4 is a lid which covers the observation ports. 5 is side of box through which is cut a plurality of ports 6, formed by cutting away the material, and inside of said front 5 is a transparent member 7 which is securely attached to the side member 5. The said members 7 may be of any flexible transparent material, which is preferably used, as glass is subject to breakage, and for appearance I have placed a stripe of color around the openings

and one around the entire side and then subdivided, having one opening in each square and during transportation I have provided a side member 4 which is placed over the exhibit ports and held firmly in place by means of adhesive tape 8 and the same means is applied over all corners of the box and the joint where members 3 come together as shown at A in Fig. 2. For convenience of packing contents of the box, a filler 9 is provided, each cell being of uniform shape and adapted to contain one section of honey and by this arrangement, a section is centrally positioned back of the ports 6 and through said transparent member 7 the honey may be observed, and in removing the sections of honey, they may be removed from the rear of the case, until all have been taken out. In Fig. 3 at B shows a receptacle where the section of honey has been removed and C shows the section in place.

I do not claim the case constructed as shown broadly or the arrangement for containing and supporting the goods therein, neither do I claim the material used in construction, as a three ply corrugated, card board is ordinarily employed. Neither do I confine myself to a round port, as the same may be elliptical or other shape but I do claim one opening for each section of honey across the front of the box, and such modifications may be made as lies within the scope of the appended claim and having thus described my invention, what I claim as new and desire to secure by Letters Patent is;

In a shipping and exhibiting case for honey, a case adapted to contain blocks of honey, round openings having transparent covers, said openings being in one side of the case and the said openings registering with the center of the blocks of honey, the said openings being smaller in diameter than the space between the sides of the said blocks of honey so that the frame containing said honey and the irregular portion of the honey comb will be concealed from view, a hinged covering for said openings, and the said cover being hinged to said case paralleling the axial alignment of said openings, for the purpose set forth and described.

ARTHUR V. SMALL.