

May 31, 1927.

1,630,856

G. MARKLE

WIRE QUEEN EXCLUDER FOR BEEHIVES

Filed March 17, 1927.

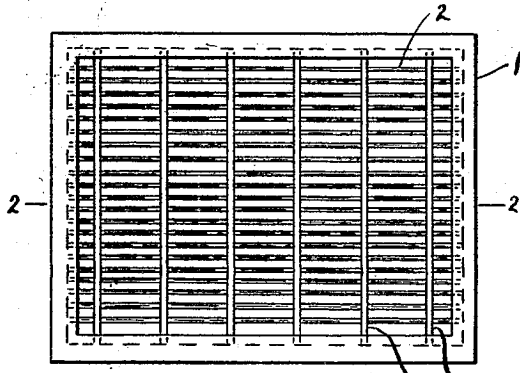


Fig. 1.

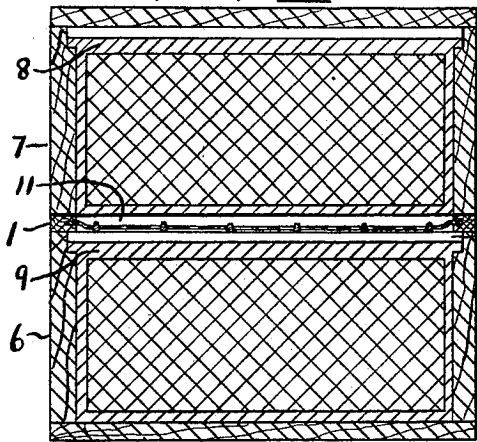


Fig. 2.

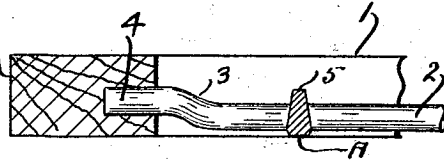


Fig. 3.

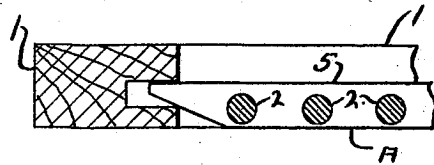


Fig. 4.

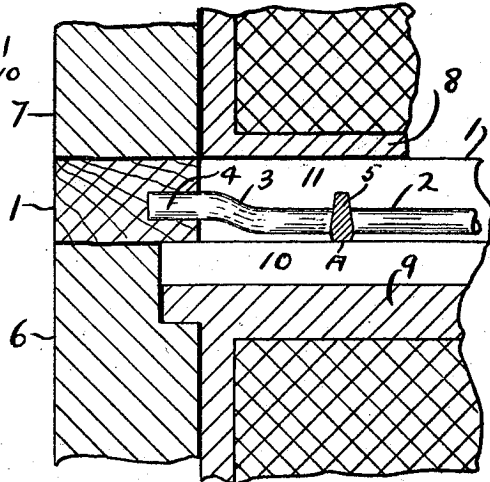


Fig. 5.

INVENTOR.

George Markle
by Lethbrunhaugh &
Attys.

Invalid URL. (4)

**Please click on the Full Text button
to return to the full text page.**

low the excluder may be very exactly and accurately dimensioned which feature is of great value.

From the foregoing it will be evident that I have devised valuable improvements in queen excluders whereby the objects of my invention have been attained.

Various modifications may be made in my invention without departing from the spirit thereof or the scope of the claims and therefore the exact forms shown are to be taken as illustrative only and not in a limiting sense and I desire that only such limitations shall be placed thereon as are imposed by the prior art or are specifically set forth in the appended claims.

What I claim as my invention is:

1. A queen excluder for bee hives comprising, a rectangular frame, a plurality of spaced apart wires extending thereacross and disposed parallel to two opposite marginal edges of the frame, the ends of each wire offset and imbedded in the frame, the

wires lying in a common plane and forming a screen-like structure one face of which is substantially flush with one face of the frame and the other face of which is depressed below the plane of the opposite face of the frame.

2. A queen excluder for bee hives comprising, a rectangular frame, a plurality of spaced apart wires extending thereacross and disposed parallel to two opposite marginal edges of the frame, the ends of the wires imbedded within the frame, the wires offset at each end thereof so that the central portions of the wires are displaced laterally towards one face of the frame and away from the opposite face, and a plurality of spaced apart, cast metal ribs extending across the frame at right angles to the aforesaid wires, the wires imbedded within said ribs, and the ends of the ribs imbedded in the frame, each rib extending in one piece across the frame.

GEORGE MARKLE.