

Aug. 20, 1929.

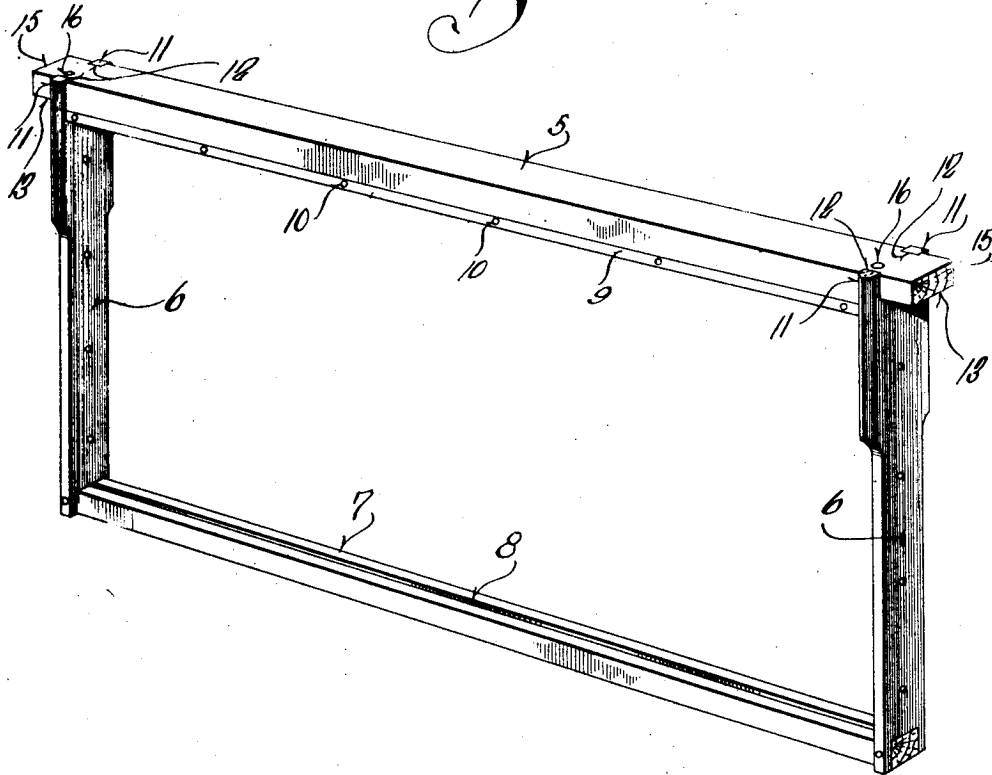
O. G. ERDMANN

1,725,448

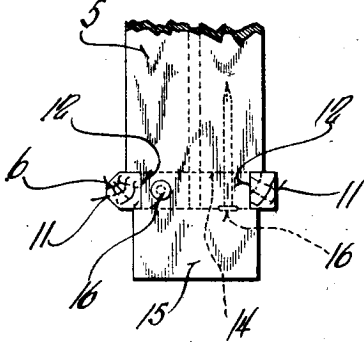
FRAME

Filed Jan. 21, 1928

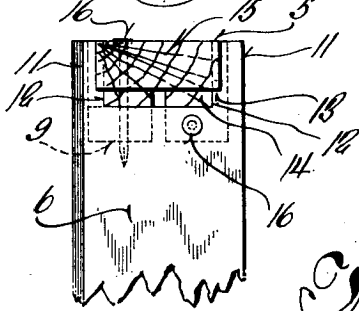
*Fig. 1.*



*Fig. 2.*



*Fig. 3.*



*Erdmann*

— Otto G. Erdmann —

*By* *Sua Mittels* *for*  
*Attorney*

# UNITED STATES PATENT OFFICE.

OTTO G. ERDMANN, OF WATERTOWN, WISCONSIN, ASSIGNOR TO G. B. LEWIS COMPANY,  
OF WATERTOWN, WISCONSIN, A CORPORATION OF WISCONSIN.

## FRAME.

Application filed January 21, 1928. Serial No. 248,379.

This invention relates to certain new and useful improvements in frames for honey-combs and has as an object the provision of improved means for facilitating the easy and accurate assembly of the parts.

Another object of this invention resides in the provision of a joint structure between the top bar and side pieces of the frame which provides a more rigid construction after assembly.

And a further object of this invention resides in the provision of a joint structure between the top bar and side pieces of the frame which increases the strength of the lugs formed at the ends of the top bar from which the frame is hung in the hive.

With the above and other objects in view which will appear as the description proceeds, my invention resides in the novel construction, combination and arrangement of parts substantially as hereinafter described and more particularly defined by the appended claims, it being understood that such changes in the precise embodiment of the hereindisclosed invention may be made as come within the scope of the claim.

In the accompanying drawing, I have illustrated one complete example of the physical embodiment of my invention constructed according to the best mode I have so far devised for the practical application of the principles thereof, and in which:

Figure 1 is a perspective view of an assembled frame;

Figure 2 is a fragmentary top plan view of the joint structure of the top bar and side pieces, and

Figure 3 is a fragmentary end view thereof.

Referring now more particularly to the accompanying drawing, 5 designates a hive frame top bar to which side pieces 6 are secured adjacent its ends. A bottom bar 7 is secured at its ends to the lower portions of the side pieces 6 and is preferably slotted, as at 8, to allow a foundation sheet, (not shown) to hang therein. A wedge piece 9 is nailed or otherwise secured to the top bar,

as at 10, to impinge the foundation sheet, (not shown) therebetween and support the same.

The upper portion of each side piece 6 is bifurcated to form spaced upwardly extended projections 11 and the adjacent portion of the top bar 5 has its opposite sides grooved or recessed, as at 12, to snugly receive the side piece projections 11. The under portions of the top bar ends are also cut away, as at 13, to a point in alignment with the inner face of the side pieces to form abutments or stops 14 against which the side pieces abut. The extreme outer end portions of the top bar form lugs 15 from which the frame is hung in a hive.

Nails or other securing means 16 are passed through the top bar into each side piece and through each side piece and into the adjacent abutment 14 to secure the parts together and strengthen the same.

From the foregoing description taken in connection with the accompanying drawing it will be readily apparent to those skilled in the art to which an invention of the character described appertains, that I provide a connection between the frame parts which affords greater rigidity after assembly and further greatly facilitates the accurate assembly of the frame.

What I claim as my invention is:

A device of the character described including a top bar and side pieces, the top bar having recesses in its opposite sides of a width substantially equal to the thickness of the side pieces, and the adjacent ends of the side pieces being bifurcated and having its spaced projections received within the recesses in the top bar, abutments formed on the top bar adjacent its ends and in line with the innermost wall of the recesses by cutting away a portion of its under side, and securing means passed through the top bar into the side pieces, and through the side pieces into the abutment of the top bar.

In testimony whereof I have hereunto affixed my signature.

OTTO G. ERDMANN,