

May 26, 1931.

C. F. STRAHAN

1,806,987

HONEYCOMB AND COMB FOUNDATION

Filed Dec. 30, 1927

Fig. 1.

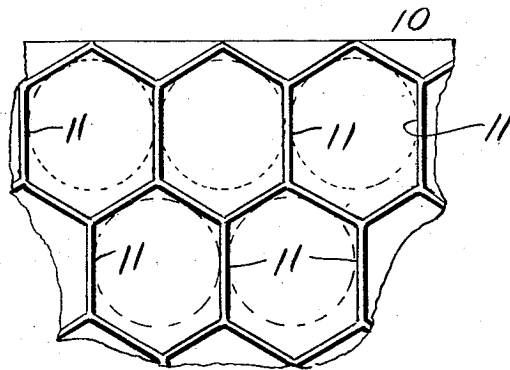
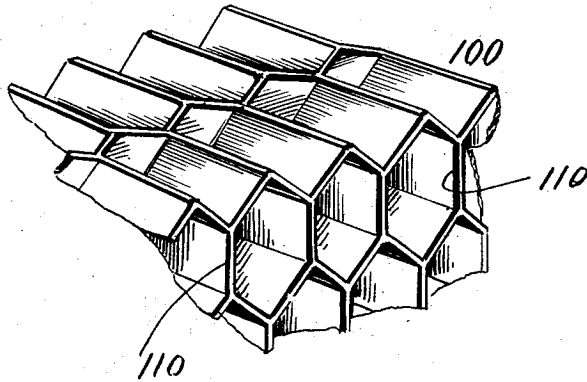


Fig. 2.



Inventor
Chas. F. Strahan

By
Chas. Williamson

Attorney

May 26, 1931.

C. F. STRAHAN

1,806,987

HONEYCOMB AND COMB FOUNDATION

Filed Dec. 30, 1927

Fig. 1.

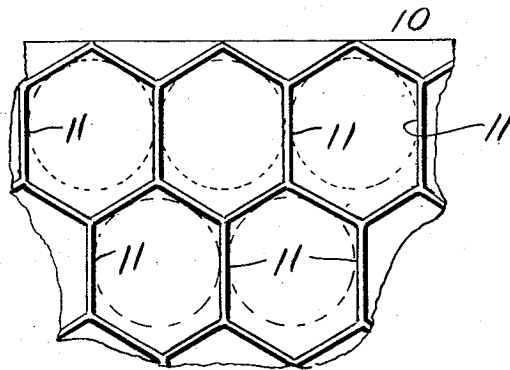
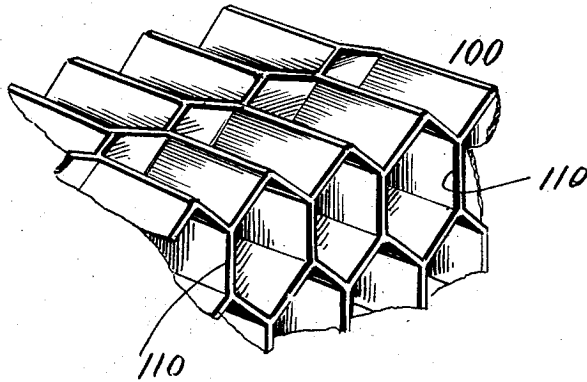


Fig. 2.



Inventor
Chas. F. Strahan

By *Chas. Williamson*

Attorney