

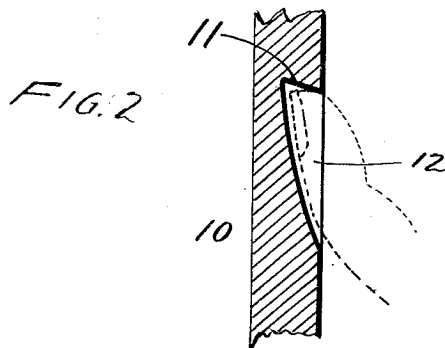
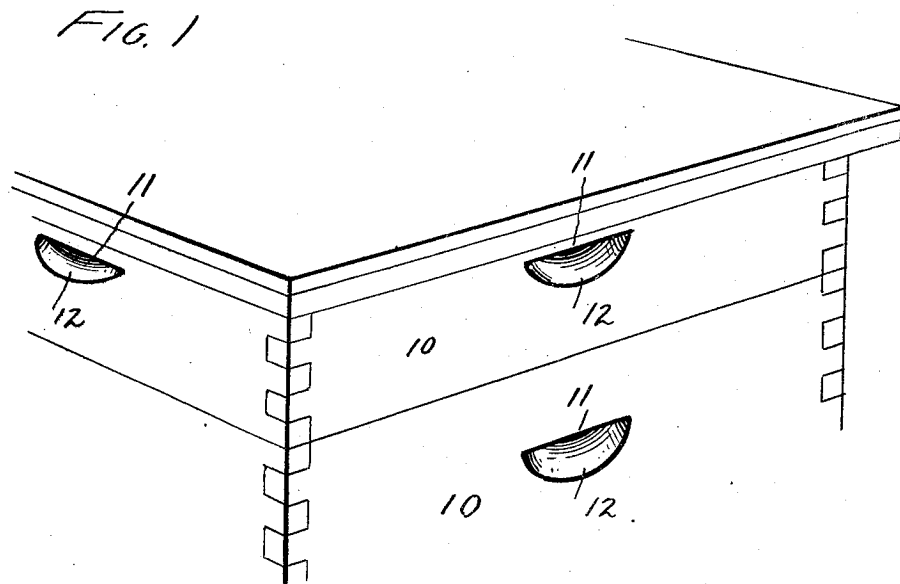
Nov. 10, 1931.

E. W. HOPE

1,830,905

BEEHIVE

Filed July 22, 1929



Inventor

Earl W. Hope

By *Chas. Williamson*
Attorney

UNITED STATES PATENT OFFICE

EARL W. HOPE, OF MEDINA, OHIO, ASSIGNOR TO THE A. I. ROOT COMPANY, OF MEDINA, OHIO, A CORPORATION

BEEHIVE

Application filed July 22, 1929. Serial No. 380,227.

For the convenient lifting and handling of beehives, it is desirable to provide hand-holds in the form of notches cut in opposite side walls of the hive bodies. The object of this invention is to provide a form of hand-hold which will enable a sure grip of the fingers and without discomfort and which will avoid undue strains on the fingers.

The invention consists in whatever is described by or is included within the terms or scope of the appended claims.

In the drawings:—

Fig. 1 is a perspective view of a portion of a beehive embodying the invention;

Fig. 2 is a detail view in vertical section.

In the embodiment of the invention shown in the drawings, at an appropriate distance vertically of the side wall, 10, of the hive body (whether a brood chamber or super) and midway the length thereof is a horizontal shoulder, 11, which on its underside flants upward and inward and beneath which is a cavity or recess, 12, that preferably extends from the inner edge of said shoulder downward and outward on an easy slope so as to provide ample space for the fingers of the hand when the finger-tips are placed beneath and in contact with said shoulder. It will be seen that by reason of the upward and inward inclination of the shoulder or the downward overhang that is provided, any tendency of the fingers to slip away from the shoulder is obviated, even though the finger-tips be more or less slippery, and the fingers extend downward across the slope or bevel comfortably and without bearing against any sharp edge. Said inclination or overhang of the shoulder gives a comfortable feel or sense of security and practically automatically the grip of the fingers is contributed to and no special effort is required to keep the fingers in contact with the shoulder, and hence strain on the fingers is obviated.

An important advantage from the slope or bevel from the shoulder 11, is that presenting no corners or shoulders the surface is easier to paint; there is no excess paint left on the surface as would result from an angle or corner, and water is quickly and thoroughly shed from the surface and thus rotting of

the wood from that cause is prevented. Again there is substantially less diminution of the thickness of the hive wall as compared with a recess having a vertical surface parallel with the inner surface of the wall, and that results in the hive being warmer.

In producing the recess with the undercut shoulder at the top it can be done at one operation by means of a cutter on a mandrel whose axis of rotation is inclined to the plane of the board, a cutter knife being used that is beveled and while that method is claimed herein, yet it is to be understood that except as a claim may require it, the invention is not to be so limited.

What is claimed is:

1. A beehive member having its side wall provided with a finger-hold that includes a horizontally extending shoulder above a recess, the shoulder having towards the outer side of the wall an edge in a lower plane than the surface further inward.

2. A beehive member having its side wall provided with a finger-hold that includes a horizontally extending finger-engaging shoulder reaching inward and upward from the wall exterior and a recess below such shoulder that slopes therefrom downward and outward.

In testimony whereof I hereunto affix my signature.

EARL W. HOPE.

55

60

65

70

75

80

85

90

95

100