

May 10, 1932.

H. O. BENTON

1,857,709

BEEHIVE

Filed Nov. 28, 1930

2 Sheets-Sheet 1

Fig. 1.

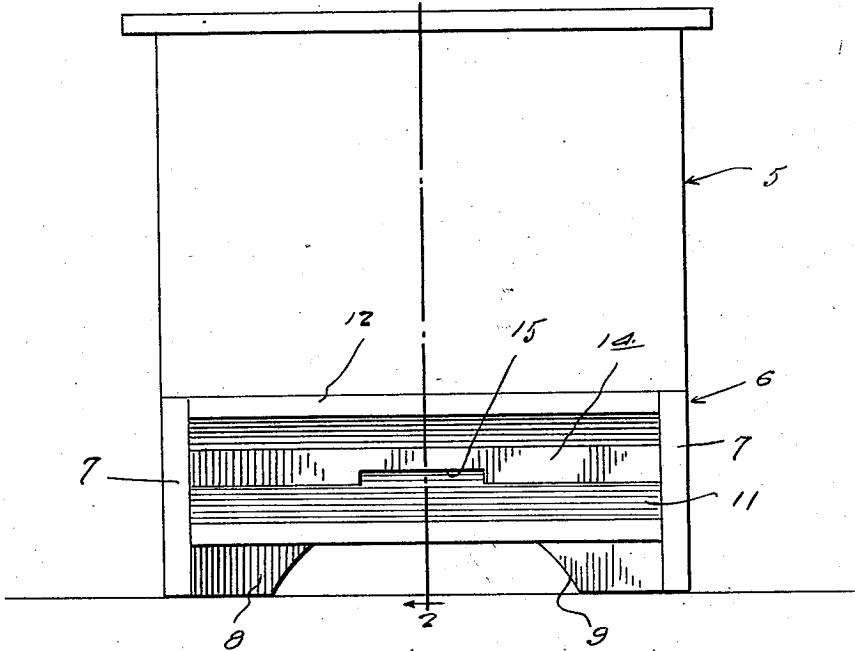
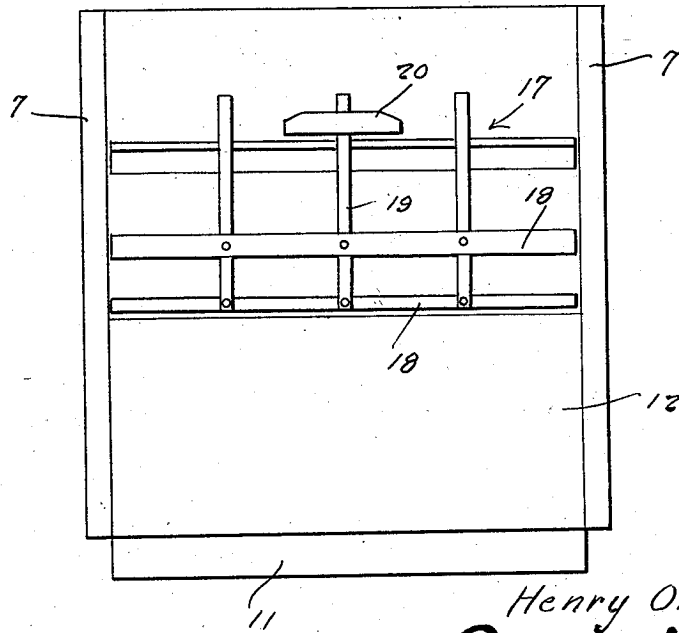


Fig. 4.



Inventor

Henry O. Benton

By *Clarence A. O'Brien*
Attorney

May 10, 1932.

H. O. BENTON

1,857,709

BEEHIVE

Filed Nov. 28, 1930

2 Sheets-Sheet 2

Fig. 2.

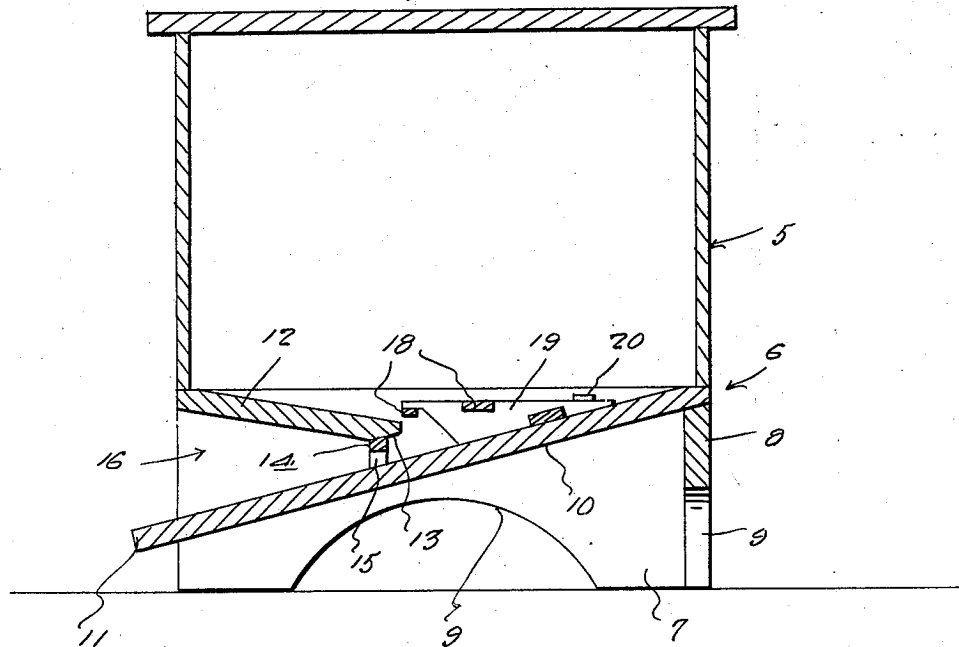
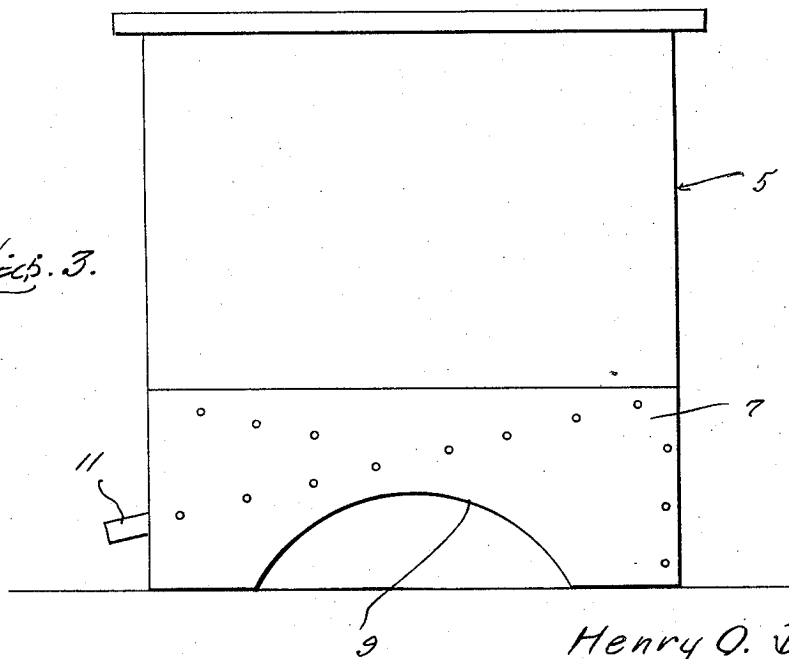


Fig. 3.



Inventor

Henry O. Benton

By *Almon W. Brien*
Attorney

UNITED STATES PATENT OFFICE

HENRY OSCAR BENTON, OF GREENVILLE, TEXAS

BEEHIVE

Application filed November 28, 1930. Serial No. 498,813.

This invention relates to an improved beehive primarily designed for use at an apiary or other places where bees are kept.

The primary novelty is predicated upon a beehive which is characterized by a sanitary substantially self-cleaning base.

More specifically related, the invention resides in the provision of a composite base or bottom construction for hives which is individualized by a pair of companion inclined co-operative sections so arranged and angled with respect to each other as to facilitate gravitation of refuse and dead bees, whereby to provide a substantially self-cleaning base construction for hives.

Other features and advantages will become more readily apparent from the following description and drawings.

In the drawings;

Figure 1 is a front elevational view of a structure developed in accordance with the present invention.

Figure 2 is a central vertical sectional view.

Figure 3 is a side elevational view.

Figure 4 is a top plan view of the base construction per se.

As observed in Figure 2, the numeral 5 designates the box-like housing of the hive to which the improved base 6 is attached. The base is characterized by a pair of side walls 7, an intervening backwall 8 and open front. These walls 7 and 8 are formed with arcuate or segmental notches 9 which function as air circulating holes. This forms a sectional rim for the base which is freely and expeditiously aerated for drying and ventilation purposes.

The numeral 10 designates a forwardly and downwardly inclined bottom whose outer edge 11 projects through and beyond the open front of the rim. The inclination of this part 10 is such as to facilitate gravitation of accumulated materials including droppings, dead insects, bees and the like.

Arranged above the main bottom 10 is a supplemental bottom section 12 in the form of relatively short boards which are inclined rearwardly and downwardly and has its bevelled edge 13 terminating in spaced relation above the intermediate portion of the main

bottom 10. These two sections co-operate in forming gravity chutes.

Interposed between the edge 13 and the adjacent portion of the bottom 10 is a partition or frontal insert 14 which provides a shield and which is formed with a central notch or entrance opening 15 to expedite entrance and exit of the bee. This superposed spaced relationship and reversely inclined arrangement of the parts 10 and 11 form a sort of enclosure or front porch, so to speak, indicated by the numeral 16.

As is observed in Figure 4, the numeral 17 designates generally a multiple part rack or frame structure including longitudinal members 18 and co-operating transverse members 19 so spaced and mechanically related as to facilitate ascension and descension of the bees and to provide appropriate supporting means for the honey boxes.

It will be observed that the parts 19 as seen in Figure 2 are substantially wedge-shaped in configuration. Moreover, it will be seen that the numeral 20 in Figure 4 designates a short perch to facilitate climbing and perching of the bees.

With this sanitary base or bottom construction, it is obvious that all of the cuttings, droppings, and dead bees roll out under the action of gravity onto the ground whether the hive be supported on poles or seated directly on the ground. The bees are not hampered in their work, since it is unnecessary to clean house as is necessary with the customary flat bottom formation.

This particular improved base bottom is a time saver for the bee keeper as well as the bees themselves. Not only are the boards or sections of the base of a sanitary form, but they are made dry, due to the fact that they are supported in elevated positions in skirt or rim portion of the base and the walls of said rim are apertured to facilitate circulation of air for ventilating and drying purposes.

The frontal partition between the upper and lower sections of the base is so located at the rear end of the porch 16 as to minimize crawling of the bees. The bees land from flight on the front porch, and are protected

from the elements and weather and can expeditiously enter the hive because of this particular shelter and design.

Moreover, the partitioning board 14 having a restricted entrance, permits the occupant of the hive to more effectively frustrate attacks from robber bees since the entrance can be effectively guarded by the appointed servant bees.

The sections of the base are of solid formation so as to avoid the presence of seams and cracks and to minimize the accumulation and collection of moths, ants, and other insects. Incidentally, it is possible with this arrangement to place the rim portion of the hive in a pan to prevent climbing of ants.

The gist of the invention is in the provision of a sectional bottom and internal rack structure, together with a frontal shelter or porch and apertured front wall such as promotes sanitation and permits the development of healthy and strong bees. An equally important feature however is in the utilization of the properly co-operating inclined sections of the base such as expedite the accumulation of refuse materials and the discharge therefrom under the action of gravity for self-cleaning purposes, thus relieving the bees of undue work and rendering the place of abode modern and convenient.

The result of the development of stronger bees is less disease and sickness, less work, and the production of a greater amount of honey.

It is thought that the description taken in connection with the drawings will enable a clear understanding of the invention to be had. Therefore, a more lengthy description is thought unnecessary.

While the preferred embodiment of the invention has been shown and described, it is to be understood that minor changes coming within the field of invention claimed may be resorted to if desired.

I claim:

1. A base for a bee hive comprising a pair of side walls and a rear wall having opening therein, a bottom sloping downwardly and forwardly from the rear wall with its front end projecting beyond the front of the base, said bottom being located above the openings, a supplemental bottom wall sloping downwardly and rearwardly from the top of the front of the base to a point a slight distance forwardly of the center of the base, said supplemental bottom wall being spaced above the main bottom, a vertically arranged notched member located between the rear end of the supplemental bottom and the main bottom, the notch of which forms an entrance opening and a rack resting on the rear part of the bottom and having its upper surface located below the plane of the top of the base and above the plane of the rear part of the supplemental bottom, said rack consisting in a number of longitudinally extending mem-

bers each having a straight upper edge and an inclined lower edge which rest on the main bottom and a number of cross pieces connecting the longitudinally extending members together.

2. A base for a bee hive comprising a pair of side walls and a rear wall having opening therein, a bottom sloping downwardly and forwardly from the rear wall with its front end projecting beyond the front of the base, said bottom being located above the openings, a supplemental bottom wall sloping downwardly and rearwardly from the top of the front of the base to a point a slight distance forwardly of the center of the base, said supplemental bottom wall being spaced above the main bottom, a vertically arranged notched member located between the rear end of the supplemental bottom and the main bottom, the notch of which forms an entrance opening and a rack resting on the rear part of the bottom and having its upper surface located below the plane of the top of the base and above the plane of the rear part of the supplemental bottom, said rack consisting in a number of longitudinally extending members each having a straight upper edge and an inclined lower edge which rest on the main bottom and a number of cross pieces connecting the longitudinally extending members together, and a perch board connected to the upper edge of one of the longitudinally extending members.

In testimony whereof I affix my signature.

HENRY OSCAR BENTON.