

Sept. 6, 1932.

H. BRATTRUD

1,876,395

HONEY BOX ASSEMBLING DEVICE

Filed Sept. 2, 1930

Fig. 1.

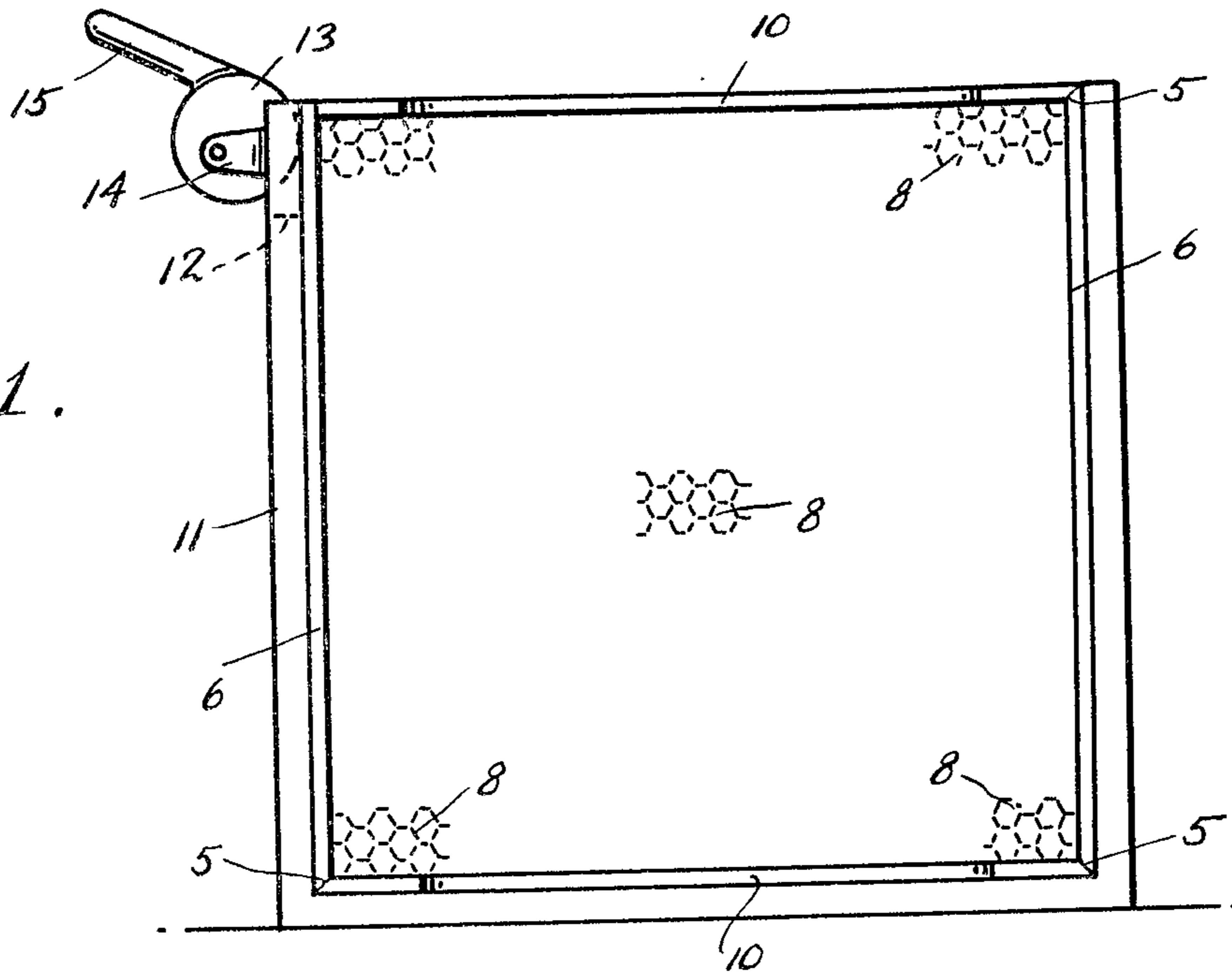
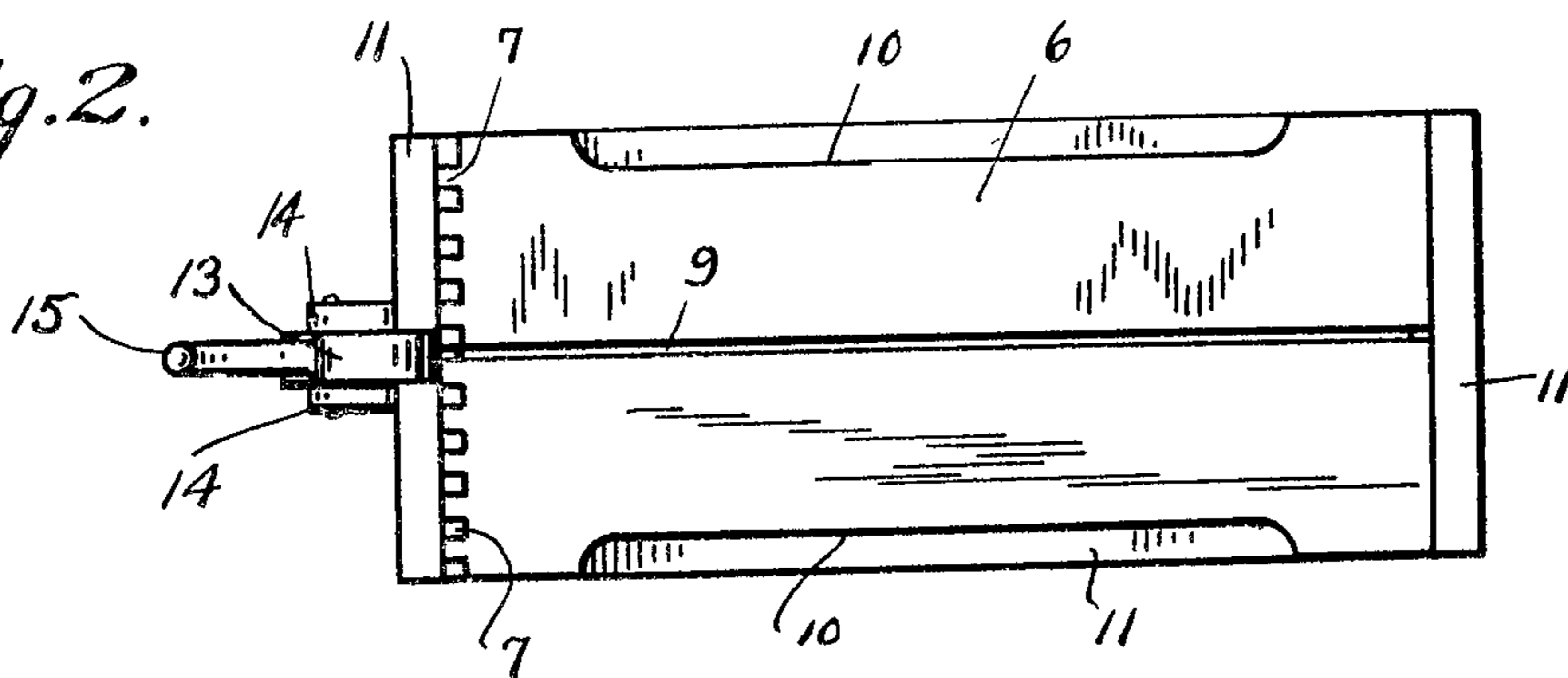


Fig. 2.



Inventor

Henry Brattrud

By *Clarence A. O'Brien*
Attorney

UNITED STATES PATENT OFFICE

HENRY BRATTRUD, OF HANLONTOWN, IOWA

HONEY BOX ASSEMBLING DEVICE

Application filed September 2, 1930. Serial No. 479,331.

This invention appertains to new and useful improvements in honey boxes assembling devices, and the principal object is to provide a device which can be easily operated in a positive acting manner.

described comprising a U-shaped structure, one upper end portion of the U shaped structure being provided with a downwardly extending slot, a pair of brackets on the outside of the said end portion, one at each side of the said slot, a disk eccentrically mounted between the brackets to operate through the slot, and a tangentially disposed lever on the said disk.

Other important objects and advantages of the invention will be found in the following specification.

In testimony whereof I affix my signature.
HENRY BRATTRUD.

In the drawing:—

Fig. 1 represents a front elevational view of the box in its assembling device.

Fig. 2 represents a top plan view of the box in its assembling device.

In the drawing wherein like numerals designate like parts, it can be seen that the honey box consists of an elongated strip of wood, notched at one side transversely at equal spaced intervals, as at 5, the strip proper being denoted by numeral 6.

The ends of the strips are notched to provide teeth 7 which are brought together in meshed relation as the assembling device is operated. It can be seen in Fig. 2, that a slit is provided in one section of the strip 6 which extends from the toothed end to the first transverse notch to facilitate the insertion of the foundation 8 into the box.

It can also be seen that the upper and lower sections of the box are reduced as at 10.

Figs. 1 and 2 show a novel assembling device for the frame which includes a U shaped structure 11 bifurcated at its upper end as at 12 to receive the cam elements 13 which is rotatably supported by the bracket 14. The cam element 13 is provided with a lever 15 whereby it can be rotated.

Obviously by rotating the cam 13, the same may be brought to bear against the box whereby the box will be assembled within the holder 11.

While the foregoing specification sets forth the invention in specific terms, it is to be understood that numerous changes in the shape, size and materials may be resorted to, without departing from the spirit and scope of the invention as claimed hereinafter.

Having thus described my invention, what I claim as new is:—

An assembling device of the character

65

70

75

80

85

90

95

100