

April 2, 1935.

D. E. LHOMMEDIU

1,996,427

SIRUP TANK FOR AN AUTOMATIC BEE COMB FILLER

Filed Sept. 23, 1932

Fig. 1.

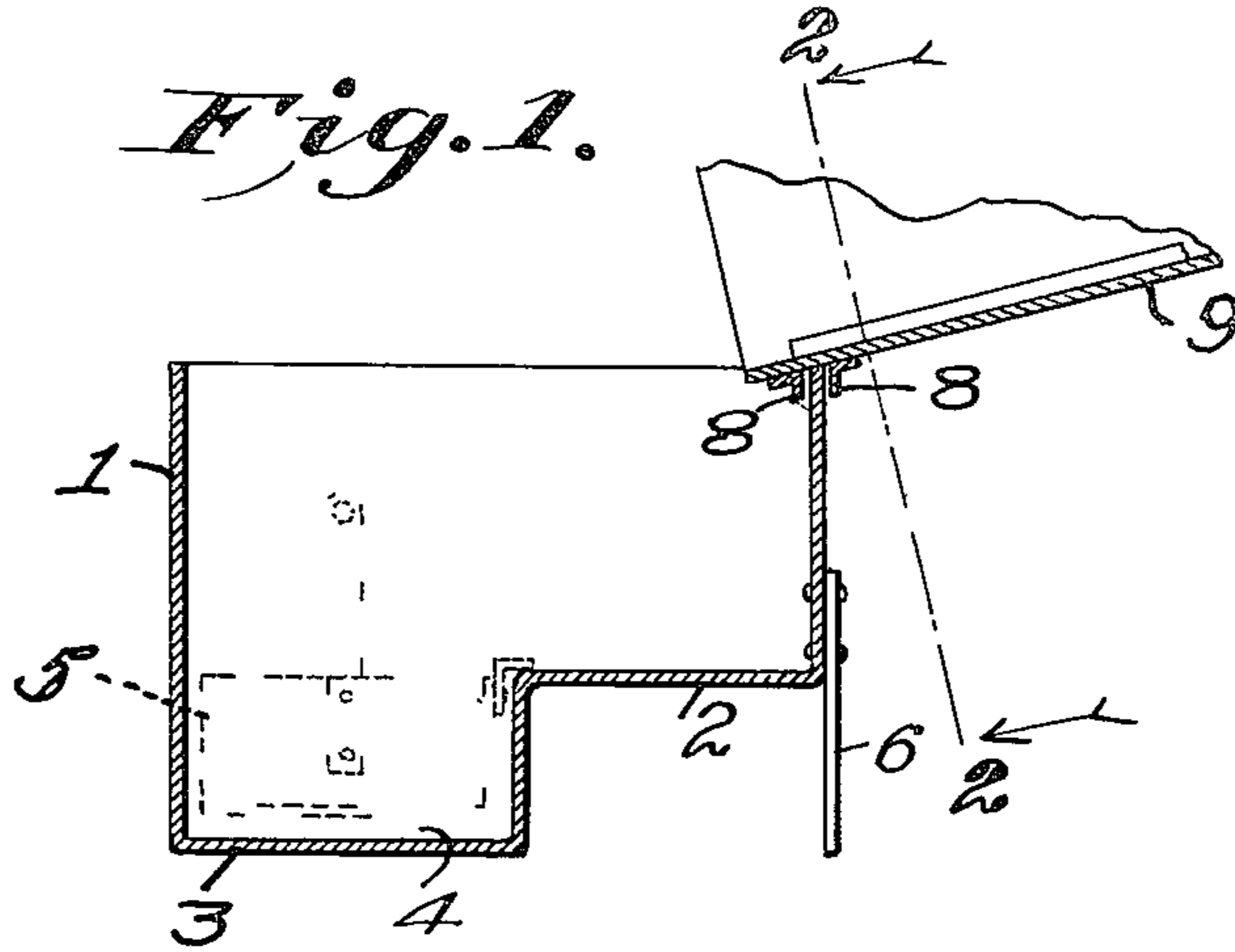


Fig. 2.

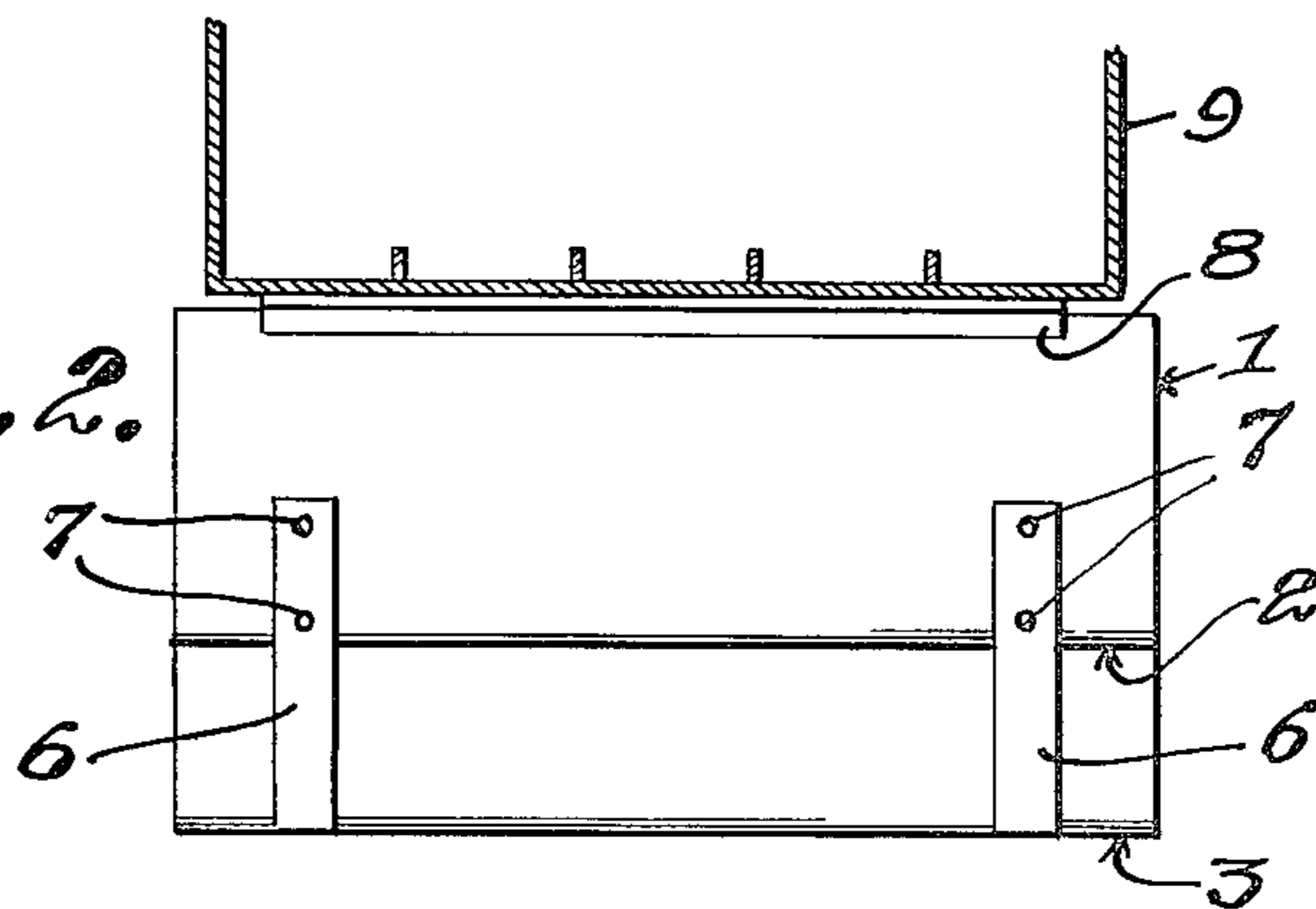
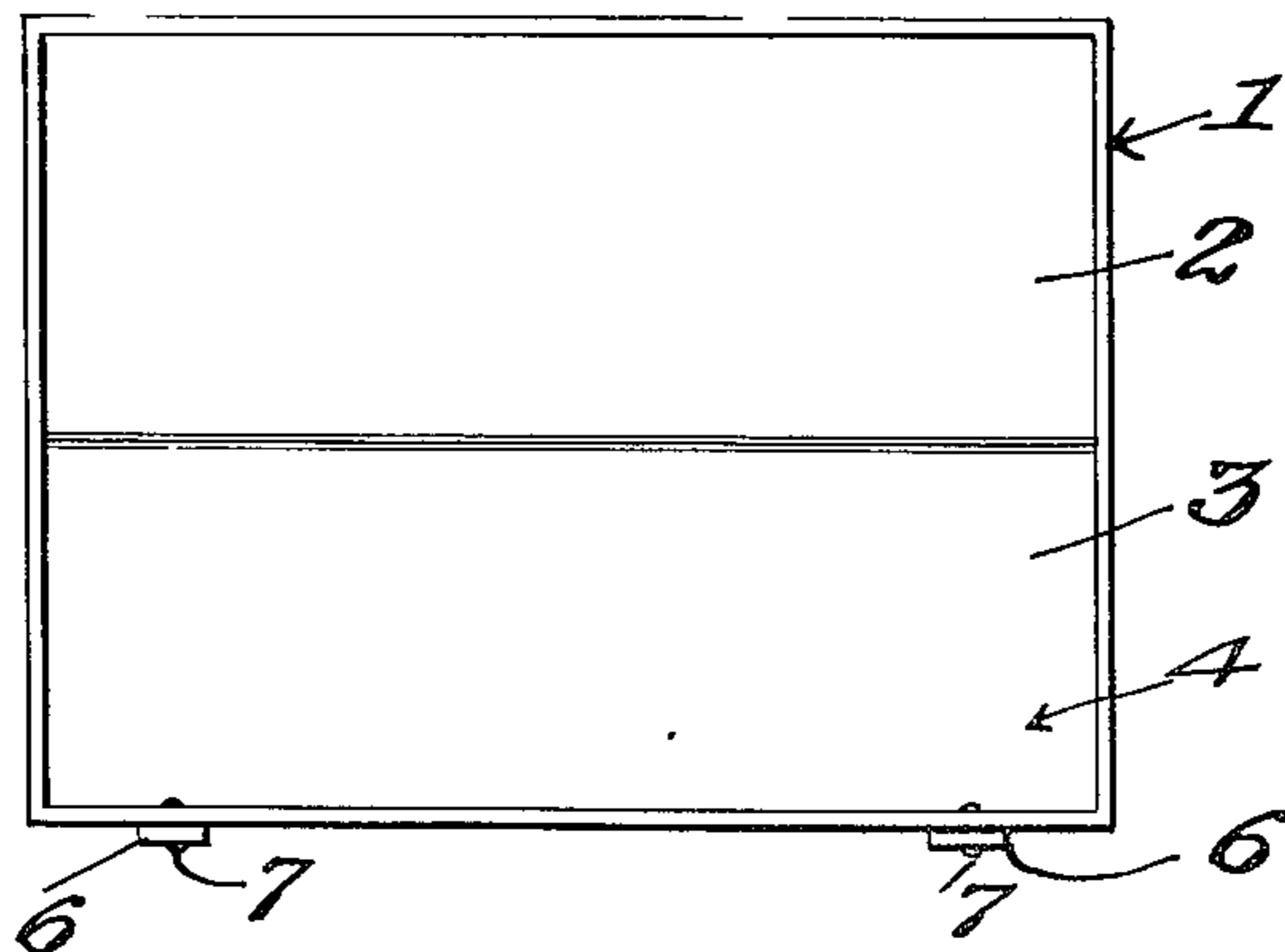


Fig. 3.



INVENTOR.

Delbert E. Lhommedieu.

BY

E. C. Wrooman & Co.
ATTORNEYS.

UNITED STATES PATENT OFFICE

1,996,427

SIRUP TANK FOR AN AUTOMATIC BEE-COMB FILLER

Delbert E. Lhommedieu, Colo, Iowa

Application September 23, 1932, Serial No. 634,584

1 Claim. (Cl. 6—12)

This invention relates to a sirup tank for an automatic bee-comb filler.

An object of my invention is the construction of a simple and efficient sirup tank used in the construction of my entire apparatus, which is fully explained in my co-pending allowed application, filed Jan. 2, 1932, Ser. No. 584,488 now Patent No. 1,885,030, of which this application is a continuation in part.

Another object of my invention is the construction of a sirup tank which is provided with a specially formed compartment for receiving a sprinkler, so that the sprinkler can quickly fill with sirup, for sprinkling or spraying the empty bee-combs to fill the same for use in feeding the bees.

With the foregoing and other objects in view, my invention comprises certain novel constructions, combinations and arrangements of parts as will be hereinafter fully described, illustrated in the accompanying drawing, and more particularly pointed out in the appended claim.

In the drawing:

Figure 1 is a transverse sectional view of the sirup tank, with a portion of the filling and draining pan or casing shown also in section.

Figure 2 is a sectional view taken on line 2, 2, Fig. 1 and looking in the direction of the arrows.

Figure 3 is a top plan view of the device.

Referring to the drawing by numerals, 1 designates a substantially oblong sheet-metal casing which is provided with a raised floor portion 2 and a depressed floor portion 3 extending longitudinally of the casing. This construction of portions 2 and 3 forms a sunken sprinkler-receiving compartment 4 in which the sprinkler 5 (dotted lines Fig. 1) may be positioned. The depressed floor portion 3 rests flat upon the support, supporting the front end of the casing, but the rear end is supported by two vertical legs 6; the lower ends of legs 6 register in the same horizontal plane with the under face of the depressed

floor portion 3, whereby the casing 1 rests solidly upon its support.

Each leg 6 is formed of a flat strip or bar and is preferably secured to the casing 1 by two rivets 7.

The casing 1 is adapted at its inner edge to fit between the angle irons 8 of the filling and draining casing 9, as fully explained in my co-pending application, Ser. No. 584,488 now Patent No. 1,885,030.

While I have described the preferred embodiment of my invention and illustrated the same in the accompanying drawing, certain minor changes or alterations may appear to one skilled in the art to which this invention relates during the extensive manufacture of the same, and I, therefore, reserve the right to make such changes or alterations as shall fairly fall within the scope of the appended claim.

What I claim is:

As a new article of manufacture, a sirup tank for an automatic bee-comb filler, comprising an elongated, non-perforated sheet-metal casing provided with straight vertical sides and ends, whereby the upper straight vertical portion of one side is adapted to be positioned between two angle irons of a draining casing resting snugly against the outer edge of the same side, said sheet metal casing being provided at one side with a solid raised floor portion and at another side with a solid depressed floor portion, both floor portions extending longitudinally of the elongated casing, said depressed floor portion being provided along its length with straight vertical and parallel sides and straight vertical and parallel ends adapted to receive therebetween to their full height a similarly constructed sprinkler, and flat legs secured flat against the vertical outer face of said sheet metal casing contiguous to and above said raised floor portion, substantially as shown and described.

DELBERT E. LHOMMEDIEU.